

18 SNOWBOARDING

COMPETITION GUIDE



Jamie Anderson © Sarah Bjornson



**SKI &
SNOWBOARD**



IF YOU'RE GOING TO GET STUCK, GET STUCK ON THE WAY TO THE MOUNTAIN

With our 24-Hour Roadside Assistance*, you can get help on almost any road, street, or highway. On a mountain 60 feet in the air, not so much.

For more information, visit libertymutual.com.



PROUD PARTNER

*Coverage is provided on the optional Towing & Labor Coverage endorsement. May vary by state. Applies to mechanical breakdowns and disablements only and may be subject to limits. Coverage provided and underwritten by Liberty Mutual Insurance Company and its affiliates, 175 Berkeley Street, Boston, MA 02116. Liberty Mutual Insurance is licensed in all 50 states and the District of Columbia. ©2017 Liberty Mutual Insurance



SKI & SNOWBOARD

2018 SNOWBOARD COMPETITION GUIDE

On the Cover

U.S. Ski & Snowboard rider Chloe Kim

Photo © Getty Images

Editor

Abbi Nyberg - Program Manager

Managing Editor and Layout

Jeff Weinman

Cover Design

Sarah Brunson - U.S. Ski & Snowboard Image and Design

Published by

U.S. Ski & Snowboard

Box 100

1 Victory Lane

Park City UT 84060

uskiandsnowboard.org

Copyright 2017 by the U.S. Ski and Snowboard. All rights reserved. No part of this publication may be reproduced, distributed, or transmitted in any form or by any means, or stored in a database or retrieval system, without the prior written permission of the publisher. Printed in the USA by RR Donnelley. Additional copies of this guide are available for \$10.00 from U.S. Ski & Snowboard, 435.647.2666.

TABLE OF CONTENTS

Key Contact Directory	3
Divisional Contacts	5
Important Dates	5
Chapter 1: Getting Started	7
Athletic Advancement	8
Where to Find More Information	9
Membership Categories	9
Age Classes	10
Parents	11
Insurance Coverage	12
Chapter 2: Points and Rankings	13
Competition Levels	14
How the National Ranking List Works	14
Snowboard Points Scale	16
Chapter 3: Series and Selections	19
Eligibility for Competition	20
FIS World Cup	20
FIS World Junior Championships	21
Toyota U.S. Grand Prix	21
Race to the Cup	22
Revolution Tour	22
Hole Shot Tour	22
NorAm	23
USASA	23
Chapter 4: Rules	25
Finish Examples	90
Gate Panels	91
Course Setting	91
Code of Conduct	94
Concussion Checklist	96

KEY CONTACT DIRECTORY

Unless otherwise noted, all email addresses are a combination of first name dot last name followed by @usskiandsnowboard.org - e.g. first.last@usskiandsnowboard.org.

Member Service (fax 435.647.2052)

Member Service Hotline	435.647.2666	membership@
Website	usskiandsnowboard.org	
National Office (fax 435.649.3613)		
U.S. Ski & Snowboard	435.649.9090	info@
PO Box 100		
1 Victory Lane		
Park City, UT 84060		

Executive Management

Tiger Shaw, President/CEO	435.647.2001	tiger.shaw@
Brooke McAfee, Chief Financial Officer	435.647.2002	brooke.mcafee@
Alex Natt, Chief Legal Officer	435.647.2004	alex.natt@
Patty Freschette , Executive Asst. to the CEO	435.647.2006	patty.freschette@
Suzette Cantin, Exec. Projects Manager	435.647.2074	suzette.cantin@
Charlotte Miller, Chief Human Res. Officer	435.647.2003	charlotte.miller@

Alpine

Patrick Riml, Alpine Program Director	435.647.2020	patrick.riml@
Chip Knight, Alpine Development Director	435.647.2074	chip.knight@
Bill Skinner, Masters Manager	435.647.2067	bill.skinner@
Kate Avrin, Men's Team Manager	435.647.2036	kate.avrin@
Meghan Arigo, Women's Team Manager	435.647.2025	meghan.arigo@

Athletics

Luke Bodensteiner, Chief of Sport	435.647.2055	luke.bodensteiner@
Kate Anderson, Athletics Manager	435.647.2016	kate.anderson@

Communications

Tom Kelly, VP Communications	435.647.2010	tom.kelly@
Caitlin Furin, Communications & PR Manager	435.647.2038	caitlin.furin@

Competition Services

Jeff Weinman, Director, Competition Services	435.647.2030	jeff.weinman@
J.J. Ehlers, Competition Services Coordinator	435.647.2037	jj.ehlers@

Content and Creative Services

Kyle Kilcomons, Director, Content & Creative	435.647.2087	kyle.kilcomons@
Sarah Brunson, Photography Manager	435.647.2012	sarah.brunson@
Courtney Harkins, Content Manager	435.647.2022	courtney.harkins@
Aaron Springston, Video Coordinator	435.602.9257	aaron.springston@

Events

Calum Clark, Chief of Systems & Operations	435.647.2053	calum.clark@
Christina Zandt, Events Administrative Coord	435.647.2032	christina.zandt@
Eric Webster, Senior Director of Events	435.674.2095	eric.webster@
Peter Tilton, Director Event Operations	435.647.2042	peter.tilton@
Nick Alexakos, Grand Prix Tour Director	435.467.2018	nick.alexakos@
Lindsay Arnold, World Cup Director	435.647.2072	lindsay.arnold@
Karen Korfanta, NorAm Coordinator	435.714.1376	karen.korfanta@
Sarah Welliver, Event Manager	435.647.2620	sarah.welliver@
Tom Johnston, Alpine Technical Advisor	435.649.9090	tom.johnston@

Freestyle

Todd Schirman, Freestyle Program Director	435.647.2080	todd.schirman@
Katie Fieguth, Freestyle Program Manager	435.647.2068	katie.fieguth@

Foundation (Fund Raising)

Trisha Worthington, Chief Dev Officer	435.647.2075	trisha.worthington@
Catherine Raney, Dir., Foundation Operations	435.647.2094	catherine.raney@

Member Services

Sheryl Barnes, Director, Member Services	435.647.2013	sheryl.barnes@
Jennie Wright, Member Services Manager	435.647.2017	jennie.wright@
Matt Lemon, Member Service Project Manager	435.647.2609	matt.lemon@

Nordic

Robert Lazzaroni, Nordic Domestic Director	435.647.2063	robert.lazzaroni@
--	--------------	-------------------

Sales and Marketing

Dan Barnett, Chief Commercial Officer	435.647.2046	dan.barnett@
Vicky Gaylord, Sr. Account Exec & Licensing	435.647.2082	vicky.gaylord@

Snowboarding and Freeskiing

Jeremy Forster, Program Director	435.647.2079	jeremy.forster@
Abbi Nyberg, Program Manager	435.640.8534	abbi.nyberg@
Kelsey Sloan, Team Manager	435.647.2034	kelsey.sloan@

Sport Education

Jon Casson, Director, Sport Education	435.647.2078	jon.casson@
Anna Hosmer, Sport Ed. Coordinator	435.647.2050	anna.hosmer@
Ellen Adams, Club Development Manager	435.647.2033	ellen.adams@

Sport Science

Dr. Troy Taylor, High Performance Director	435.647.2028	troy.taylor@
Kyle Wilkens, Medical Director	435.647.2058	kyle.wilkens@

Travel Service - WorldTek Travel

24-hour Travel Service	800.TEAM.SKI	worldtek@
------------------------	--------------	-----------

DIVISIONAL CONTACTS

Chair	Dylan Omlin	d_omlin@yahoo.com
Eastern Representative	Ross Powers	rpowers@gosms.org
Intermountain Rep.	Andy Gilbert	andy@svsef.org
Central Representative	Jessica Zalusky	jessica@thegteam.com
PNSA Representative	Coggin Hill	chill@mbsef.org
Far West Representative	Ben Wisner	bwisner@mammothresorts.com
Rocky Representative	Paul Krahulec	paul@krahulec.com

IMPORTANT DATES

- Oct. 15 U.S. Ski & Snowboard membership renewal late fee applies
Nov. 30 Schedule Agreements due - late fee applies after this date

Snowboard Points List Dates

List	National Points		FIS Points	
	Close	Valid	Close	Valid
Fall	11/01/17	11/03/17		
List 1	11/20/17	11/22/17	06/30/17	07/01/17
List 2	12/19/17	12/21/17	09/26/17	09/28/17
List 3	01/21/18	01/22/18	11/20/17	11/22/17
List 4	02/04/18	02/06/18	12/19/17	12/21/17
List 5	02/25/18	02/27/18	01/21/18	01/22/18
List 6	03/06/18	03/08/18	02/04/18	02/06/18
List 7	04/03/18	04/05/18	02/25/18	02/27/18
List 8	05/02/18	05/04/18	03/06/18	03/08/18
List 9			04/03/18	04/05/18
List 10			05/02/18	05/04/18

FEED YOUR ADVENTURE[®]

CLIFBAR.COM/ADVENTURE



TRAVIS GANONG
U.S. SKI TEAM



**NUTRITION FOR
SUSTAINED ENERGY[®]**

**Made with organic
rolled oats.**

©2017 CLIF BAR & COMPANY. MBC17.1544c



CHAPTER 1

GETTING STARTED



U.S. Ski & Snowboard is an Olympic sports organization providing leadership and direction for tens of thousands of young skiers and snowboarders, encouraging and supporting them in achieving excellence. By empowering national teams, clubs, coaches, parents, officials, volunteers and fans, U.S. Ski & Snowboard is committed to the progression of its sports, athlete success and the value of team.

Thank you for your participation in U.S. Ski & Snowboard programs. These programs provide opportunities for athletes to develop skiing or snowboarding skills in a competitive and educational environment, from grassroots club programs up through national teams and the Olympics. This competition guide is a roadmap for various programs, rules and rankings.

U.S. Ski & Snowboard supports athletic programs in skiing, snowboarding and freeskiing. U.S. Ski & Snowboard clubs make up over 390 professional coaching outlets for athletes and logistical support for competitions. These clubs, with both professional staff and volunteers and comprised of nearly 35,000 members, are the backbone of the U.S. Ski & Snowboard, supporting individual athletes and managing most of the organization's domestic competitions. In the 2017 season, our resort partners, clubs, officials and volunteers hosted more than 4,300 domestic competitions with more than 190,000 athlete starts being recorded.

Services provided by U.S. Ski & Snowboard are based around the three "R's": rules, races and rankings. Rules are established to ensure a consistent and fair playing field for all athletes. Races, or competitions, are the backbone of the U.S. Ski & Snowboard's programs, providing competitive opportunities for athletes. Rankings are a means of evaluating performance in competitions to determine advancement on the athlete development pipeline or to assist in determining start positions in specific competitions.

U.S. Ski & Snowboard provides educational resources to key constituent groups through the Center of Excellence, the organization's national training and education facility. Education is provided to athletes, parents, officials, coaches and clubs in areas such as sport technique, fitness and exercise, sport science and sports medicine.

U.S. Ski & Snowboard regions and divisions are volunteer-run programs which implement programs within small, multi-state geographic areas, including scheduling of divisional competitions, selection of divisional teams and training of competition officials.

Athletic Advancement

Now that you are a U.S. Ski & Snowboard member, you have access to compete in sports both in your home area and nationally. The following are steps you can take to make the most out of your competitive skiing or snowboarding experience.

Join a Club - Linking up with a club will allow you access to the best professional coaching and logistical support. A complete club directory is available at usskiandsnowboard.org.

Compete - Pick the proper competition programs for your age and ability. Contact the event organizer or your local club for entry information. U.S. Ski & Snowboard programs offer both introductory non-scored events for youth athletes to promote skill development and fun, and scored competitions to improve ranking.

Ranking - Compete in U.S. Ski & Snowboard scored competitions to gain a ranking, which will be used for advancement up the athlete development pipeline. You can monitor your ranking at usskiandsnowboard.org.

FIS Competition - As you advance up the pipeline with your U.S. Ski & Snowboard ranking, you may be eligible for ranking on the International Ski Federation (FIS) ranking list. Check with your club coach or divisional contact for more information. FIS registration is managed through U.S. Ski & Snowboard. You can monitor your FIS ranking and register for FIS at usskiandsnowboard.org.

Team Selection - As you continue to advance, your ranking may qualify you for a regional or divisional team. This includes the Junior Championships, U.S. Championships and all the

way up to the U.S. Ski & Snowboard Teams.

Each U.S. Ski & Snowboard sport has a specific development pipeline with defined action tips designed to educate athletes in every age group as they progress in their sport. Please see the development pipeline for your particular sport by logging on to usskiandsnowboard.org and selecting your sport.

Where to Find More Information

As you continue competitive skiing or snowboarding, you might have questions along the way. The following are helpful resources to guide you on your path to success.

Website - usskiandsnowboard.org is the best source of member information. There you will find contact information, criteria and advancement protocol on your sport as well as the latest in national news from your sport. You can also search the Knowledge Base for answers to many of our member's most common questions.

Competition Guide - This handbook is a guide for athletes, parents, coaches and officials that provides a roadmap to U.S. Ski & Snowboard programs. Here you can find information on rules and rankings for your sport.

Local Club - Clubs are the heart of the sport. These organizations have the background and knowledge to help answer most of your questions. Check your local club for information on schedules and qualifying procedures within your division.

Regional/Divisional Contact - Each region and division for your sport has a contact person who can help you answer questions. Contact information appears in the front of this competition guide and at usskiandsnowboard.org.

National Office - Every sport has full-time staff in U.S. Ski & Snowboard's national office in Park City, UT. Contact the office at 435.647.2666 with national membership or ranking questions. For a quicker response, please send an email to the contact links found at usskiandsnowboard.org.

Membership Categories

U.S. Ski & Snowboard offers a variety of membership opportunities depending on your area of interest. You can join online at usskiandsnowboard.org. Your membership will be processed immediately while FIS membership may take up to one week.

Coaches, officials and club volunteer members are required to undergo periodic background screening to activate membership.

General Member - The low-cost General membership is designed for young athletes who are training with a club program but not participating in sanctioned events. It is also perfect for club volunteers or parents who are starting to become active in support of club activities and events as well as those forerunning in sanctioned events. Not intended for those in a position of authority over minors. Not eligible for those participating in sanctioned events.

Competitor - For all ages, the Competitor membership provides access to all levels of scored and non-scored competitions at the local, divisional, regional and national level. Competitor memberships include scoring on national ranking lists as well as FIS ranking lists where appropriate (with additional FIS license). This membership is required for FIS registration and FIS level competitions.

FIS License - Athletes with a FIS license may compete in FIS sanctioned competitions and will be scored on the international points and ranking list. Athletes must have the U.S. Ski & Snowboard Competitor membership to obtain a FIS license. Athletes should only apply for a FIS license if they meet the FIS age requirements for their discipline. FIS license must be obtained prior to competition; day-of sign-ups are not possible.

Official (with background screening) - For ages 15 and older prior to Dec. 31. U.S. Ski &

Snowboard events are managed by officials. Each official is periodically background screened to help provide a SafeSport environment in clubs. Officials are able to achieve certification through educational programs.

Coach (with background screening) - For ages 18 and older prior to Dec. 31. Coaches are the backbone of the development pipeline, providing leadership to athletes through club programs. Every coach member undergoes periodic background screening to help provide a SafeSport environment in clubs. In addition, coaches are required to take a short online education program on important coaching guidelines. U.S. Ski & Snowboard also provides coaches with an in-depth sport education program, helping them achieve various certification levels in their sport. Note: Required for access to coaching credentials at all sanctioned competitions. Issuance of credentials to appropriate working coaches is the responsibility of the event.

Club Volunteer (with background screening) - For ages 15 and older prior to Dec. 31. The Club Volunteer membership is designed for parents and club volunteers who undertake a leadership role in clubs, divisions, regions, competitions and club training sessions. Each club volunteer undergoes periodic background screening to help provide a SafeSport environment in clubs. This membership is a good stepping-stone to becoming a coach or official, and is fully upgradable during the season. Applicable for those in a position of authority over minors. Not eligible for official's certifications.

Age Classes

Each U.S. Ski & Snowboard division conducts competitions open to members based upon their membership type. Competition at the divisional level is conducted within designated age classes for all competitors. Check your division's schedule of events. Age classification is based on your year of birth regardless of the date you were born.

Age Class	Description	Year of Birth
SR	20 and older	1997 and earlier
U20	15 to 19 year olds	1998 to 2002
U15	13 and 14 year olds	2003 and 2004
U13	12 and younger	2005 and later

Code of Conduct

A condition of U.S. Ski & Snowboard membership is the agreement to abide by the U.S. Ski & Snowboard Code of Conduct including provisions regarding drug testing. The Code of Conduct can be found near the end of this Guide.

PARENTS

Your son or daughter is on their way to growing their career in skiing or snowboarding. Supporting them in their endeavors is the number one way to help them achieve success. However, there are other ways to participate along the way to enhance the experience of competitive skiing and snowboarding.

Become a volunteer - The club system exists because of the help and dedication of volunteers, including parents of competitive athletes. A great way to be a part of the team is to become an official. Parents may attend officials clinics and work out of town competitions so that they will be better able to help with competitions at their own venues. Another way to be involved is to serve on steering committees and competition committees for a sport. Contact your sport staff for more information.

Education - U.S. Ski & Snowboard provides a variety of educational opportunities for parents. Through usskiandsnowboard.org, local clubs and U.S. Ski & Snowboard produced educational resources, parents can gather information to help support their child in their quest towards victory. The Successful Sports Parenting DVD, produced in partnership with USA Swimming, featuring Deborah Phelps, mother of Olympic and World Champion swimmer Michael Phelps, is a suggested guide to lead you through tips to support the development and success of young athletes. Find more information at usskiandsnowboard.org.

Stay involved in your child's club - Ask questions to club leaders, look at annual reports and attend orientation if offered. These activities will help you better understand your child's club and the development pipeline.

Thank You

**to the Partners, Suppliers and Licensees
of U.S. Ski & Snowboard**

INSURANCE COVERAGE

U.S. Ski & Snowboard requires Members to have valid and sufficient primary medical / accident insurance coverage and to accept full responsibility for understanding the provisions of such coverage as a condition of becoming a member and participating in official U.S. Ski & Snowboard training and competition. Such primary coverage must be in effect for the entire term of the membership year in order for the member to have coverage under U.S. Ski & Snowboard's excess accident medical policy. Members must carry proof of primary insurance and such proof must be available at each event so that prompt medical/hospital care can be authorized, if needed. U.S. Ski & Snowboard provides properly registered members with excess accident medical coverage, as follows:

Excess Accident Medical Insurance for Members of a Member Club

Current U.S. Ski & Snowboard Members of a U.S. Ski & Snowboard Member Club have excess accident medical coverage during sanctioned or registered events including official training (as defined by the policy) at such events. Please see americanspecialty.com/ussa_cov/ for a detailed description of coverage.

Excess Accident Medical Insurance for Members of a CLIP Member Club

Current U.S. Ski & Snowboard Members of a U.S. Ski & Snowboard CLIP Member Club have excess accident medical coverage during skiing and snowboarding competition, while training to compete and conditioning to compete in ski and snowboard competition that is supervised by a U.S. Ski & Snowboard representative and/or representative of a CLIP Member Club, and during club activities that are supervised by a representative of a CLIP Member Club. Please see americanspecialty.com/ussa_cov/ for a detailed description of coverage including a list of activities that are excluded from the policy.

Liability Insurance

U.S. Ski & Snowboard will provide liability coverage for:

- Event Organizers with respect to their ordinary negligence if such is alleged to have arisen in connection with competition in or conduct of sanctioned events (meaning a Schedule Agreement has been executed) and/or activities conducted or approved by U.S. Ski & Snowboard (including official training at such event as defined by the policy). Please see americanspecialty.com/ussa_cov/ for a detailed description of coverage.
- CLIP Member Clubs and the members and supervisory staff of such clubs and member coaches and officials while acting in their capacity as such on behalf of CLIP Member Clubs. Such coverage applies during (1) ski and snowboard competition; (2) while training to compete and conditioning to compete in ski and snowboard competition that is supervised by a U.S. Ski & Snowboard representative and/or representative of a CLIP Member Club; and (3) during club activities that are supervised by a representative of a CLIP Member Club. Please see americanspecialty.com/ussa_cov/ for a detailed description of coverage, as certain club activities are not automatically covered.

Note: This summary provides a general overview of insurance coverage that applies for U.S. Ski & Snowboard members. It is not a complete explanation of all policy provisions or specifics of the policy benefits. No coverage is extended, and no representations are made, other than what is stated in the actual insurance policies.

CHAPTER 2

POINTS AND RANKINGS



U.S. Ski & Snowboard Competitor members receive national points for each scored competition in which they finish without disqualification. Competitors begin their points profile with 0.00 points and may increase these points to a maximum of 1000.00. Points are used to rank competitors nationally on the National Ranking List.

The list provides competition organizers with the data to establish a start order for competitions. This also allows competitors to compare their performance against the performance of riders in other parts of the country whom they may not compete against.

The Snowboard National Ranking list is available at usskiandsnowboard.org

The Snowboard National Ranking List is based on a “place-points” scale. This simply means that for every scored competition sanctioned through U.S. Ski & Snowboard, points are awarded from 1st place to a maximum of 100th place.

The exact calculation of the points awarded to each finish place is determined by the competition level, and the average points of the best five riders starting the event. Once the competition level and average points have been determined the event is the applied to the appropriate points scale (see table 3.1).

Competition Levels

Level 1 Competitions

Olympic Winter Games, World Championships, World Cup - the 1000 point scale is used.

Level 2 Competitions

Continental Cups, Hole Shot, Race to the Cup, and Grand Prix - the 500 to 200 point scales are used.

Level 3 Competitions

FIS level and Revolution Tour - the 360 to 50 point scales are used.

Average Points

Determining the appropriate points scale for level 2 and 3 competitions are based upon the average points of the competition. Average points are calculated based on the average national points of the best five riders who have started in the competition.

FIS competitions will use the calculated FIS entry point to the scale.

In order for a competition to be scored to the Snowboard National Ranking List it must have five starters, with or without national points, and three finishers.

Once the average points have been calculated, the appropriate scale is selected from the tables at the end of this chapter. To choose the best possible scale, the average points value without rounding must be equal to or higher than the corresponding entry points.

Example

Average Points	Entry Points	Applied Scales	Race Level
240	221	240	2
241	241	260	2
260	241	260	2
400	321	360*	3

*Level 3 races cannot be better than 360

How the National Ranking List Works

In most cases a competitor's national points are the average of the points from the best two competition results in the current season, in each discipline (HP, SBX, SS, or Alpine). Alpine points are defined as a result in any of the following sub-disciplines: GS, SL, PSL and PGS. The period of evaluation is July 1 through June 30.

At the start of the competition season, the points published in the fall snowboard ranking

list are used as a competitor's national points (or as one of his or her best results) until two results produce average points higher (better) than the fall points. When this happens, fall points are no longer used.

In the case of a new competitor with no fall points, fall points are zero and are used until a single result is achieved. New points are then calculated as the one result - 40%. Once a second result is obtained, the two results are averaged even if the average is less than the single result - 40%.

For example, a new competitor earns a first HP result of 780.00. $780.00 - 40\%$ gives the competitor national points of 468.00. The competitor earns a second result of 150.00. The competitor's new national points are calculated as: $(780.00 + 150.00) / 2 = 465.00$.

In the event that a competitor has fall points, their fall points may be used as one result until the calculation for the last list of the season.

For example, a competitor with 750.00 fall points then achieves his/her first result of 790. Their points for lists 1-3 would then be calculated as: $(750.00 + 790.00) / 2 = 770.00$. When a second result is achieved that betters this average, the Fall points are no longer used.

In the event that a competitor has fall points and competes in two or more competitions within a single discipline and the average of these results does not produce points better than their fall points, their fall points will be reduced by a maximum of 20% on the List 6 calculation.

Calculations only occur when a list is published; not between list periods.

Non-activity

The formula for determining points with no results is Fall points minus 40%.

For FIS points calculations, see the Rules of the Snowboard FIS Points at fis-ski.com.

Injury Protection

If a competitor is injured and out of competition for either the entire season or a portion thereof, he or she may apply for injury protection of their points. Points will still go up, but injury protection limits the amount they will increase.

Applications for injury protection must be submitted by April 15 of the season being requested. Competitors must submit requests using the official national and/or FIS forms and they must include a letter from their physician stating the specifics of the injury, including the actual date of injury, and the approximate time the individual will not be able to compete. Applications should be sent to Abbi Nyberg at abbi.nyberg@usskiandsnowboard.org.

Applications are only valid for one season; if an athlete is out for more than one season they must reapply.

Athletes must maintain their Snowboard Competitor membership, and FIS registration as applicable, to maintain points.

Injury Protection

When a competitor applies for injury protection and the request is granted, his/her National points will degrade by 20% for each season injured. A competitor will be allowed a maximum of three starts during the season to be eligible.

FIS Injury Protection

At least 90 days must have passed between the time of the injury and the competitor's first start. During the valid season a competitor can have no more than 6 starts while retaining the right to apply for injury status.

If the injury status is approved 10% will be deducted from the competitor's BL points if the current points are not better than the protected points.

See the FIS Snowboard Rules of the Points for more information.

Range →		1000	500	450	400	360	320	290	260	240	220	200	180
Pos.	%	451	401	361	321	291	261	241	221	201	181	161	
1	100	1000	500	450	400	360	320	290	260	240	220	200	180
2	80	800	400	360	320	288	256	232	208	192	176	160	144
3	60	600	300	270	240	216	192	174	156	144	132	120	108
4	50	500	250	225	200	180	160	145	130	120	110	100	90
5	45	450	225	202.5	180	162	144	130.5	117	108	99	90	81
6	40	400	200	180	160	144	128	116	104	96	88	80	72
7	36	360	180	162	144	129.6	115.2	104.4	93.6	86.4	79.2	72	65
8	32	320	160	144	128	115.2	102.4	92.8	83.2	76.8	70.4	64	58
9	29	290	145	130.5	116	104.4	92.8	84.1	75.4	69.6	63.8	58	52
10	26	260	130	117	104	93.6	83.2	75.4	67.6	62.4	57.2	52	47
11	24	240	120	108	96	86.4	76.8	69.6	62.4	57.6	52.8	48	43
12	22	220	110	99	88	79.2	70.4	63.8	57.2	52.8	48.4	44	40
13	20	200	100	90	80	72	64	58	52	48	44	40	36
14	18	180	90	81	72	64.8	57.6	52.2	46.8	43.2	39.6	36	32
15	16	160	80	72	64	57.6	51.2	46.4	41.6	38.4	35.2	32	29
16	15	150	75	67.5	60	54	48	43.5	39	36	33	30	27
17	14	140	70	63	56	50.4	44.8	40.6	36.4	33.6	30.8	28	25
18	13	130	65	58.5	52	46.8	41.6	37.7	33.8	31.2	28.6	26	23
19	12	120	60	54	48	43.2	38.4	34.8	31.2	28.8	26.4	24	22
20	11	110	55	49.5	44	39.6	35.2	31.9	28.6	26.4	24.2	22	20
21	10	100	50	45	40	36	32	29	26	24	22	20	18
22	9	90	45	40.5	36	32.4	28.8	26.1	23.4	21.6	19.8	18	16
23	8	80	40	36	32	28.8	25.6	23.2	20.8	19.2	17.6	16	14
24	7	70	35	31.5	28	25.2	22.4	20.3	18.2	16.8	15.4	14	13
25	6	60	30	27	24	21.6	19.2	17.4	15.6	14.4	13.2	12	11
26	5	50	25	22.5	20	18	16	14.5	13	12	11	10	9
27	4.5	45	22.5	20.25	18	16.2	14.4	13.05	11.7	10.8	9.9	9	8
28	4	40	20	18	16	14.4	12.8	11.6	10.4	9.6	8.8	8	7
29	3.6	36	18	16.2	14.4	12.96	11.52	10.44	9.36	8.64	7.92	7.2	6
30	3.2	32	16	14.4	12.8	11.52	10.24	9.28	8.32	7.68	7.04	6.4	6
31	2.8	28	14	12.6	11.2	10.08	8.96	8.12	7.28	6.72	6.16	5.6	5
32	2.6	26	13	11.7	10.4	9.36	8.32	7.54	6.76	6.24	5.72	5.2	5
33	2.4	24	12	10.8	9.6	8.64	7.68	6.96	6.24	5.76	5.28	4.8	4
34	2.2	22	11	9.9	8.8	7.92	7.04	6.38	5.72	5.28	4.84	4.4	4
35	2	20	10	9	8	7.2	6.4	5.8	5.2	4.8	4.4	4	4

For places 36-100 the formula used to determine the result is $2 - [(Place - 35) \times .03]$

Range →		160	150	140	130	120	110	100	90	70	50	35	20
Pos.	%	151	141	131	121	111	97	91	71	51	36	21	0
1	100	160	150	140	130	120	110	100	90	70	50	35	20
2	80	128	120	112	104	96	88	80	72	56	40	28	16
3	60	96	90	84	78	72	66	60	54	42	30	21	12
4	50	80	75	70	65	60	55	50	45	35	25	18	10
5	45	72	68	63	59	54	50	45	41	32	23	16	9
6	40	64	60	56	52	48	44	40	36	28	20	14	8
7	36	58	54	50	47	43	40	36	32	25	18	13	7
8	32	51	48	45	42	38	35	32	29	22	16	11	6
9	29	46	44	41	38	35	32	29	26	20	15	10	6
10	26	42	39	36	34	31	29	26	23	18	13	9	5
11	24	38	36	34	31	29	26	24	22	17	12	8	5
12	22	35	33	31	29	26	24	22	20	15	11	8	4
13	20	32	30	28	26	24	22	20	18	14	10	7	4
14	18	29	27	25	23	22	20	18	16	13	9	6	4
15	16	26	24	22	21	19	18	16	14	11	8	6	3
16	15	24	23	21	20	18	17	15	14	11	8	5	3
17	14	22	21	20	18	17	15	14	13	10	7	5	3
18	13	21	20	18	17	16	14	13	12	9	7	5	3
19	12	19	18	17	16	14	13	12	11	8	6	4	2
20	11	18	17	15	14	13	12	11	10	8	6	4	2
21	10	16	15	14	13	12	11	10	9	7	5	4	2
22	9	14	14	13	12	11	10	9	8	6	5	3	2
23	8	13	12	11	10	10	9	8	7	6	4	3	2
24	7	11	11	10	9	8	8	7	6	5	4	2	1
25	6	10	9	8	8	7	7	6	5	4	3	2	1
26	5	8	8	7	7	6	6	5	5	4	3	2	1
27	4.5	7	7	6	6	5	5	5	4	3	2	2	1
28	4	6	6	6	5	5	4	4	4	3	2	1	1
29	3.6	6	5	5	5	4	4	4	3	3	2	1	1
30	3.2	5	5	4	4	4	4	3	3	2	2	1	1
31	2.8	4	4	4	4	3	3	3	3	2	1	1	1
32	2.6	4	4	4	3	3	3	3	2	2	1	1	1
33	2.4	4	4	3	3	3	3	2	2	2	1	1	0
34	2.2	4	3	3	3	3	2	2	2	2	1	1	0
35	2	3	3	3	3	2	2	2	2	1	1	1	0

For places 36-100 the formula used to determine the result is $2 - ((\text{Place} - 35) \times .03)$

DONJOY®

A22™

REINVENTING CONFIDENCE

Uncompromised Engineering

+

Aerodynamic Integration

=

Comfort, Speed & Performance

DJOGlobal.com/A22



SKI &
SNOWBOARD
OFFICIAL MEDICAL PROVIDER

Photo Credit U.S. Ski & Snowboard

Copyright © 2017 by DJO, LLC

All rights reserved. No part of this publication may be reproduced, distributed, or transmitted in any form or by any means. Individual results may vary. Neither DJO Global, Inc. nor any of its subsidiaries dispense medical advice. The contents of this advertisement do not constitute medical, legal, or any other type of professional advice. Rather, please consult your healthcare professional for information on the courses of treatment, if any, which may be appropriate for you.



MOTION IS MEDICINE®

CHAPTER 3

SERIES AND SELECTIONS



U.S. Ski & Snowboard offers competition programs from the domestic level to international events such as the U.S. Grand Prix and FIS World Cups. This chapter provides general information on U.S. Ski & Snowboard's major events and series. Where particular qualifications apply, the entry criteria, field size and design of the programs themselves have been carefully developed to provide timely opportunities for talented riders to reach their full athletic potential in snowboard competition.

ELIGIBILITY FOR COMPETITION

U.S. National Level Competitions

- U.S. Ski & Snowboard Competitor membership
- Abide by U.S. Ski & Snowboard Code of Conduct, competition rules and procedures

All FIS Competitions

(including Grand Prix, Revolution Tour, World Cup, Junior Worlds, etc.)

- Must meet FIS age requirements (13 and up for HP, SS and BA, and 15 and up for Alpine and SBX)
- U.S. Ski & Snowboard Competitor membership
- FIS license (required)
- Abide by U.S. Ski & Snowboard Code of Conduct, competition rules and procedures

FIS WORLD CUP

The FIS World Cup is a high-level international snowboard series. The eight-month circuit (August-March) crisscrosses the globe, with riders from many nations competing for World Cup titles in PGS, PSL, HP, SBX, Team SBX, SS and BA.

Qualification

- To be considered eligible for a World Cup event, an athlete needs a minimum number FIS points. Point requirements and earned quota spot information can be found at fis-ski.com.
- Must hold a current Snowboard Competitor membership and FIS license.

Entry in Competition

The Amateur Sports Act requires U.S. Ski & Snowboard to objectively administer entries for all international competitions. If an athlete is objectively qualified through ranking, results or trials, he or she must be entered in a qualified international competition, provided he or she meets the international federation's (FIS) eligibility requirements, holds a membership with U.S. Ski & Snowboard, and agrees to the U.S. Ski & Snowboard Codes of Conduct, and the USOC Codes of Conduct.

For proper and effective management by the head coaches of our national program, clear procedures must be established to make efficient entrance into international competitions for all qualified athletes. The following procedure is to be followed for selection, entry and on-site management of all U.S. participants:

- All entries to FIS competitions must be made by U.S. Ski & Snowboard staff.
- Without exception, only those competitors, coaches and staff who agree to abide by the U.S. Ski & Snowboard and USOC Codes of Conduct will be entered and/or receive credentials.
- Only those individuals on the official entry list can be recognized by the competition organizing committee.
- Specific international selection criteria, as approved by the U.S. Ski & Snowboard Board of Directors and published by U.S. Ski & Snowboard, will be strictly followed.
- Additional selection criteria for specific competition start rights, as established in advance

by the head coaches, will be available in writing if requested.

- All U.S. competitors must accept and follow the on-site competition plan as established by the team captain. This includes team meetings and training plans. Every effort will be made to accommodate individual competitor's needs and additional personal coaches if they wish to attend.
- Participating in international competition as a U.S. entered competitor is a privilege and an option, not a right. Funding for national program members is at the discretion of U.S. Ski & Snowboard.

Schedule

Visit fis-ski.com for the latest World Cup schedule.

FIS WORLD JR. CHAMPIONSHIPS

U.S. Ski & Snowboard will select only the most qualified athletes, born between the years of 1998 and 2002 for alpine and SBX, PGS, PSL and 2000 and 2004 for HP, SS, Big Air, with the greatest opportunities for winning medals at the 2018 FIS Junior World Championships. Selection criteria will be based on world-class performances during a period of elite-level competition.

Athletes must hold a current Snowboard Competitor membership and FIS license.

Quota

The team will be selected from PGS, PSL, SS, SBX, BA and HP disciplines. The total team size will be restricted to the start quota as determined by FIS.

Qualification

Selection criteria is available at usskiandsnowboard.org.

TOYOTA U.S. GRAND PRIX

The 2018 Toyota U.S. Grand Prix will include competitions in Half Pipe, Slopestyle and Big Air. The 2018 Toyota U.S. Grand Prix will feature the best riders in the U.S. and the world competing for prize money totaling \$550,000. In addition, Grand Prix events will be televised on NBC and NBC Sports.

Toyota U.S. Grand Prix information can be found at usskiandsnowboard.org.

Eligibility

Athletes must hold a current Snowboard Competitor membership and FIS license.

Schedule

Visit usskiandsnowboard.org for current schedules and event information.

RACE TO THE CUP

The Race to the Cup will continue with three stops this season, one in each major geographic area of the U.S. At each stop, riders will compete for prize money and another chance to improve their rankings in the NorAm series.

Athletes must hold a current Snowboard Competitor membership and FIS license.

Schedule

Dec. 15-17	Steamboat Spring, CO	PGS, PSL
Jan. TBD	Buck Hill, MN	PSL, PSL
Feb. TBD	Holiday Valley, NY	PGS, PSL

Note: Visit usskiandsnowboard.org for current schedules and event information.

REVOLUTION TOUR

The U.S. Revolution Tour is a series of events consisting of Halfpipe, Slopestyle, Snowboardcross and Big Air, designed to serve as a stepping-stone for athletes making the transition from competing at the grassroots level to the elite level. The series entry is based on multiple criteria that pre-qualify U.S. athletes into the events. The Revolution Tour is focused towards riders 13-19 years old and awards the top juniors an invite to compete in the U.S. Grand Prix, Junior Worlds, USASA Nationals, and participate in Project Gold camps.

Competition formats may vary slightly at each stop, but riders will always compete as an open class, and unless otherwise stated, athletes under the age of 13 are not eligible to compete. Athletes must hold a current snowboard competitor membership and FIS license.

Schedule

Dec. 6-7	Copper, CO	HP x2
Jan. 6-8	Waterville Valley, NH	SS x2
Feb. 10-12	Mammoth, CA	HP, SS, BA
Mar. 9-10	Seven Springs, PA	HP, SS

Note: Visit usskiandsnowboard.org for current schedules and event information.

HOLE SHOT TOUR

The Hole Shot Tour is a series of events consisting of SBX and SX, designed to serve as a stepping stone for riders making the transition from competing at the grassroots level to the World Cup level. The series will be open to any rider, but is focused towards riders 15-19 and will award the top junior an invite to be a part of U.S. Snowboarding's Project Gold.

Athletes must hold a current Snowboard Competitor membership and FIS license.

Schedule

Visit usskiandsnowboard.org for current schedules and event information.

NORAM

The NorAm series between the United States and Canada continues this season. This series will consist of PGS, PSL, HP, SS and SBX. From these events, the winner of each discipline (American or Canadian) will receive an individual start right in their discipline on the FIS World Cup tour for the following season, providing they meet World Cup eligibility rules.

Start Right Selections

All NorAm events will be calendared as FIS Continental Cups with a maximum possible point level of 500. Riders will score NorAm points based on their FIS points earned in each of the events. The rider with the most cumulative FIS points in each discipline will be awarded the NorAm spot. Please note that a rider is not required to compete in a minimum number of events to qualify for a start right.

Qualifications

U.S. Riders - Athletes must hold a current Snowboard Competitor membership and FIS license. Foreign quotas will follow NorAm rules. Entry in Canadian events must be granted through U.S. Ski & Snowboard.

Canadian Riders - Open to any Canadian rider that has a Canadian national membership and a FIS license. Foreign quotas will follow NorAm rules. Canadian riders must be listed on the national entry sent by the CSF.

Contacts

Please contact event managers for entry fees, detailed calendars and registration. Contact information is provided on the series schedule.

Abbi Nyberg abbi.nyberg@usskiandsnowboard.org

NorAm Alpine Finals

The NorAm Alpine Finals rotate each year between the U.S. and Canada. Respective National Champion titles will be awarded to the top American and the top Canadian finisher in each event. The top junior between the ages of 15 and 19 will be awarded the Junior National Champion title.

The NorAm Finals are an open competition to any U.S. athlete who meets the FIS alpine age requirements with a Snowboard Competitor membership and a FIS license.

Note: Visit usskiandsnowboard.org for current schedules and event information.

USASA

USASA events are the best events for entry-level athletes. USASA offer event in each region of the country. Thirty USASA regional series are located across the USA. Each series presents organized competitions in halfpipe, slopestyle, alpine snowboard racing, snowboardcross, rail jams and banked slalom. At the conclusion of the regional series season, the organization hosts the USASA National Championships at the end of March / early April.

To learn more about the USASA and the regional series closest to you check usasa.org.

2018 U.S. SKI & SNOWBOARD

GOLD PASS

ONE PASS. 250 RESORTS. ALL ACCESS.



AS MEMBER OF THE GOLD PASS CLUB YOUR GENEROUS GIFT WILL PROVIDE YOU:

- One of only 450 fully transferable Gold Passes for the 2017-18 season
- Unlimited exclusive access to over 250 resorts across the U.S.
- The ability to entertain clients and share with friends and family
- VIP tour of the Center of Excellence in Park City, UT
- Team insider information via eNewsletters

USSKIANDSNOWBOARD.ORG/FOUNDATION



CHAPTER 4

RULES



The following rules and regulations are adapted from the FIS International Competition Regulations (ICR) for U.S. Ski & Snowboard snowboard competition. These rules apply to competition events that are scheduled and sanctioned by U.S. Ski & Snowboard as the national governing body for snowboard as identified by the United States Olympic Committee. All references to competitions, rules, policies and memberships are assumed to mean the competitions, rules, policies and memberships of U.S. Ski & Snowboard unless otherwise noted.

The FIS ICR and adjuncts shall govern any and all issues not addressed herein.

For all events scheduled by U.S. Ski & Snowboard as FIS events, the rules of the FIS apply. The sport specific rules for FIS events are available at fis-ski.com. The FIS rulebooks are referred to as the ICR.

In cases where regulations are not addressed by the U.S. Ski & Snowboard Competition Regulations for national events, or by the FIS ICR for FIS events, or in cases where the rules must be interpreted, the authority for making decisions will be the responsibility of the technical delegate and competition jury.

Athletes participating in sanctioned events are required to hold a Competitor membership, and they are responsible for knowing and following all rules in this book. For membership information contact the membership office at 435.647.2666 or check usskiandsnowboard.org.

If you have questions regarding the snowboard program in the United States, check usskiandsnowboard.org or contact:

Abbi Nyberg abbi.nyberg@usskiandsnowboard.org tel. 435.640.8537

TABLE OF CONTENTS

200 Regulations for all Competitions

29

201	Types of Competitions
202	Calendar Fees
203	Membership
204	Qualification of Competitors (Eligibility Rules)
205	Competitors Obligations and Rights
210	The Organizing Committee
211	Controls and Sanctions
212	Authority
213	Special Regulations
214	Announcements
215	Entries
216	Team Captains' Meetings
217	Draw
218	Publication of Results
219	Medical Examinations
220	Drug Testing
221	Competitor's Obligations
222	Rights and Duties of the Team Captains and Coaches
223	Publication of Results
224	Application of the Rules and Sanctions
225	Prizes
226	Rights of U.S. Ski & Snowboard

- 227 Publicity
- 228 Competition Equipment

Rules Common to all Snowboard Events

35

- 2000 Organization
- 2001 The Organizing Committee
- 2002 Hosting Duties of the Organizing Committee
- 2003 Basic Costs of the Organizing Committee
- 2004 The Jury
- 2005 The Technical Delegate (TD)
- 2006 Judges (freestyle events)
- 2007 Referees (alpine events)
- 2008 Course Setters/ Course Builders
- 2051 Forerunners
- 2052 Competitors' Clothing and Equipment
- 2053 Age Classification
- 2054 Timing (alpine events)
- 2055 Start and Finish Officials
- 2056 The Start
- 2057 Public Address System
- 2058 The Course and Competition
- 2059 The Finish
- 2060 Reruns
- 2061 Calculation and Announcement of Results
- 2062 Award Ceremony
- 2063 Interrupted Training or Competition
- 2064 Terminated Training or Competition
- 2065 Disqualifications
- 2066 Disciplinary Actions by the Jury
- 2067 Protests
- 2068 Appeals
- 2070 Gate Judges (alpine events)

2100 Rules Specific to Slalom (SL)

58

- 2101 Technical Data
- 2102 Slalom Course Description
- 2103 Course Setting
- 2104 Competitor Inspection
- 2105 The Start
- 2106 Execution of the Slalom
- 2107 Competition Clothing and Helmets

2200 Rules Specific to Giant Slalom (GS)

62

- 2201 Technical Data
- 2202 Giant Slalom Course Description
- 2203 Course Setting
- 2204 Competitor Inspection
- 2205 The Start

- 2206 Execution of the Giant Slalom
- 2207 Competition Clothing and Helmets

2500 Rules Specific to Parallel Events 64

- 2501 Definition
- 2502 Technical Data
- 2503 Parallel Course Description
- 2504 The Courses
- 2505 The Start
- 2506 The Finish
- 2507 Course Setting
- 2508 Timing
- 2509 Execution of Parallel Events
- 2510 Control of the Race
- 2511 Disqualification / Sanctions
- 2512 Penalty Time

2600 Rules Specific to Halfpipe (HP) 70

- 2601 Technical Data
- 2602 The Halfpipe Site
- 2603 Competitor Training
- 2604 Execution of the Halfpipe
- 2606 Helmets
- 2607 Judges' Stand
- 2608 Halfpipe Judging and Scoring

2700 Rules Specific to Snowboardcross (SBX) 73

- 2701 Technical Data
- 2702 Snowboardcross Course Description
- 2703 Course Preparation
- 2704 Inspection/Training
- 2705 Execution of Snowboardcross
- 2706 Snowboardcross Finals Parings
- 2707 The Start
- 2708 Contact
- 2709 Protests
- 2710 Final Ranking
- 2711 Snowboardcross Team

2800 Rules Specific to Big Air (BA) 82

- 2801 Technical Data
- 2802 Big Air Site
- 2803 Training
- 2804 Big Air Format
- 2805 Execution of a Big Air
- 2806 Competitors Equipment
- 2807 Public Address System
- 2808 Judges Stand
- 2809 Big Air Judging

2810	Big Air Scoring System	
2811	Judging Criteria	
2900	Competition under Artificial Light	86
3000	Rules Specific to Slopestyle (SS)	86
3001	The Slopestyle	
3002	Technical Data	
3003	Competitor Equipment	
3004	Execution of the Slopestyle	
3005	Public Address System	
3006	Judges Stand	
3007	Slopestyle Judging	
3008	Slopestyle Scoring	
	Finish Examples	90
	Gate Panels	91
	Course Setting	91
	Code of Conduct	94
	Concussion Checklist	96

200 Regulations for all Competitions

200.1	All events in the U.S. Ski & Snowboard Calendar must be held under the applicable FIS and/or U.S. Ski & Snowboard Rules.
200.2	Organization and Conduct of Competitions The organization and rules for conducting competitions are specified in articles 2000-2900 of this competition guide.
200.3	Participation Competitions listed in the Calendar are open to members with the appropriate membership type unless limitations are announced.
200.4	Control The Jury controls all competitions listed in the Calendar.
200.5	Every legal sanction imposed and published in respect of a competitor, official or trainer will be recognized
200.6	Competitions with Limited Participation Competition organizers may invite other nations and/or organizations to participate in their competitions, but these competitions must not be announced as international competitions and the limitation of other nations must be made clear in the announcement.
200.7	Competitions with Non Members U.S. Ski & Snowboard's Board of Directors can authorize its competition committees to invite non-member organizations to competitions, or accept invitations from such an organization.
200.8	Classification of Competitions
200.8.1	National Competitions
200.8.2	Competitions with restricted participation

201 Types of Competitions

Snowboard competitions may consist of:

- 201.1 Alpine Events
- 201.2 Women and men: slalom (SL), parallel slalom (PSL), giant slalom (GS) and parallel giant slalom (PGS).
- 201.3 Freestyle Events
- 201.3.1 Women and men: halfpipe (HP), slopestyle (SS) and big air (BA).
- 201.4 Women and men: snowboardcross (SBX).

202 Calendar Fees

- 202.1 A fee is charged for each event in the Calendar. This fee is payable by the organizer, to by Nov. 15th of the current year. A 50% late fee is charged after Dec. 1st and is subject to payment within 14 days after the receipt of an invoice.
- 202.2 If, after receipt of a written reminder, this fee is not paid, it will be increased by an additional 50% and is payable by Dec. 15th.

203 Membership

- 203.1 The membership year begins on July 1 and finishes on June 30 of the following year.
- 203.2 To be eligible for participation in snowboard competitions, a competitor must have a Competitor membership. Such a membership shall be valid in the USA for the membership year only.
- 203.3 The competition organizer shall not admit competitors of any other national association unless they produce a FIS or Competitor membership.
- 203.4 Member competitors must declare the division in which they will compete on their application. If a competitor fails to declare a division, the address on the application will determine the divisional affiliation. A competitor does not have to declare their division according to where they reside.
- 203.5 Competitors may not enter sanctioned competitions without a snowboard Competitor membership. Membership must be purchased prior to the competition and may not be purchased on-site.
- 203.5.1 Competitors may purchase a Competitor membership at any time during the season but will only receive points from the time the membership is purchased.

204 Qualification of Competitors (Eligibility Rules)

- 204.1 U.S. Ski & Snowboard shall not issue a membership to any competitor who:
 - 204.1.1 has been guilty of improper or unsportsmanlike conduct, or has not respected or conformed to all aspects of the Code of Conduct;
 - 204.1.2 accepts or has accepted, directly or indirectly, a money-payment in a way that does not correspond to the rules (art. 212);
 - 204.1.3 accepts or has accepted a prize not in accordance with art. 211;
 - 204.1.4 permits or has permitted their name, title or individual picture to be used for advertising, except when the U.S. Ski & Snowboard enters into the contract for sponsorship, equipment or advertisements;
 - 204.1.5 knowingly competes or has competed against any competitor not eligible according to these rules, except if the competition concerned is approved by the FIS and is directly controlled by the FIS or by U.S. Ski & Snowboard and the competition is announced “open”.

205 Competitors Obligations and Rights

- 205.1 The competitors are obliged to make themselves familiar with the rules and must comply with the additional instructions of the Jury.

- 205.2 Competitors are not permitted to compete while under the influence of doping.
- 205.3 Competitors must follow the rules and regulations and instructions of the Jury.
- 205.4 Competitors who do not attend the prize-giving ceremonies without excuse lose their claim to any prize including prize money. In exceptional circumstances, the competitor may be represented by another member of his team, but this person has no right to take his place on the podium.
- 205.5 Competitors must behave in a correct and sportsmanlike manner towards members of the Organizing Committee, officials and the public.
- 205.6 **Gambling on Competitions**
Competitors, trainers, team officials and technical officials are prohibited from betting on the outcome of competitions in which they are involved.

210 The Organizing Committee

The organizers must appoint an Organizing Committee for each competition, which will be responsible for its orderly preparation and conduct. The organizing committee will consist of the:

- Chair
- Secretary
- Chief of Competition and/or TD

211 Controls and Sanctions

- 211.1 The competition Jury shall be responsible for enforcing the directions covering advertising on equipment within the competition areas, appointing whatever officials are necessary. A competitor not complying with the directions shall not be permitted to start.
- 211.2 A competitor infringing on one of the above provisions shall have his/her membership immediately revoked. If the infraction is judged to be of minor importance, the competitor shall first be given a warning.
- 211.3 A competitor, whose membership has been suspended, may have his membership restored after the expiration of the penalty period or with the specific approval of U.S. Ski & Snowboard.
- 211.4 If an advertiser exploits the use of the name, title or individual picture of a competitor in connection with any advertisement, recommendation or sale of goods without the approval or knowledge of the competitor, the competitor may give power of attorney to U.S. Ski & Snowboard to allow them to take legal action against the advertiser in question. If the competitor concerned fails to do so, the situation shall be judged as if the competitor had given permission to the advertiser.

212 Authority

- 212.1 The Eligibility Committee shall deal with all questions concerning infractions and interpretations of these rules. Its decisions are subject to appeal to the Appeals Board.
- 212.2 The Eligibility Committee may appoint an executive committee to take initial action concerning infractions and to make decisions on behalf of U.S. Ski & Snowboard. The Chairman shall take the initiative to bring a case before the Board of Directors and the athlete shall plead the case.

213 Special Regulations

- 213.1 U.S. Ski & Snowboard can adopt rules and regulations and organize national or international competitions embodying different grounds for a qualification, provided they do not go beyond the limits outlined in the present rules.

214 Announcements

- 214.1 The Organizing Committee must publish an announcement for the event. 30 days prior to the event. It must contain the information required by art. 200.
- 214.2 The organizers are bound by the rules and decisions of the Snowboard sport committee in limiting the number of entries for championship competitions.
- 214.3 Postponements or cancellations of competitions and program alterations must be communicated immediately by telephone or email to the national office, all invited clubs and the appointed TD.
- 214.4 A printed or electronic announcement must be published for each competition in the Calendar and it must contain the following:
 - 214.4.1 date and place of the competitions;
 - 214.4.2 conditions for participation;
 - 214.4.3 names of principle contact;
 - 214.4.5 time and place for the first team captains meeting;
 - 214.4.6 timetable for official training and start times;
 - 214.4.7 location of the official notice-board;
 - 214.4.8 time and place for the awards;
 - 214.4.9 final date of entry and address for entries, including telephone and email.
 - 214.4.10 details of any modified formats, e.g., knockout formats, as described in art. 2605.1.2.

215 Entries

- 215.1 All entries must be sent, in good time, by email, so the Organizing Committee receives them before the entry deadline. The organizers must have a definite list not later than 24 hours before the draw.
- 215.2 Only valid Competitor members with a FIS license are allowed to enter FIS competitions.
- 215.3 Every entry should include; national number, full name, year of birth and discipline entered (SL, GS, HP, SS, SBX).

216 Team Captains' Meetings

- 216.1 The time of the first team captains' meeting must be shown in the announcement. All other meetings must be announced to the team captains at their first meeting. Emergency meetings must be announced in good time.
- 216.2 Decisions at team captains' meetings are taken by a majority vote. Each participating club, the TD and the chairman have one vote. Proxy by a representative of another club is not allowed. In case of a tie, the chairman, who may be the TD or a representative of the Organizing Committee has the deciding vote.

217 Draw

- 217.1 Competitors will only be listed on the start order if they have a confirmed entry.
- 217.2 The responsible team captain or coach must be present if there is a draw to determine start order.
- 217.3 If one or more competitors listed to start are not present during the competition, the TD must name them in his report, if possible indicating the reasons for absence.
- 217.4 If a competition has to be postponed by at least one day, the draw must be done again.

218 Publication of Results

- 218.1 The unofficial and official results will be published in accordance with the rules for the specific event.
 - 218.1.1 Transmission of Results

Results shall be transmitted to the national office upon completion of all official paperwork and with the express permission of the Technical Delegate and/or the Jury.

218.2 The data and timing generated from all competitions is at the disposal of U.S. Ski & Snowboard and the organizer for use in their own publications, including websites. Use of data and timing on websites is subject to the conditions laid down in the U.S. Ski & Snowboard Terms of Use and Privacy.

218.3 Internet Policies and Exchange of Data relating to Competitions

218.3.1 General

The results and data from U.S. Ski & Snowboard competitions may only be used on U.S. Ski & Snowboard's and the Organizers' websites and may not be passed on for commercial use to third parties or organizations.

218.3.4 Organizers access to results

Event organizers can obtain official results from the races after they have been approved and loaded to U.S. Ski & Snowboard's results database.

219 Medical Examinations

219.1 Team captains and coaches are responsible for the health condition of the competitors they enter.

220 Drug Testing

220.1 U.S. Ski & Snowboard follows the policies and procedures for drug testing outlined by the United States Anti-doping Agency and the United States Olympic Committee. The drug testing policy can be requested from U.S. Ski & Snowboard.

221 Competitor's Obligations

221.1 Competitors are obliged to make themselves familiar with the rules and must comply with the special instructions of the Organizing Committee and the Jury.

221.2 Competitors who are under the influence of alcohol or drugs are not permitted to take part in the competition.

221.3 The Jury will disqualify competitors who do not follow the rules and regulations.

221.4 Competitors who inexcusably do not attend the award ceremonies lose their claim to any prize. In exceptional circumstances, another member of his team may represent the competitor, but this person has no right to take his place on the podium.

221.5 Sanctions may be taken against competitors behaving in an unsportsmanlike manner towards competition officials or members of the Jury.

222 Rights and Duties of the Team Captains and Coaches

222.1 The team captains and coaches must be U.S. Ski & Snowboard members in order to be:

- nominated as a member of the Jury;
- nominated as a course setter, Referee or assistant, if these have not been appointed by U.S. Ski & Snowboard or if the appointed person is not present;
- issued a pass or armband for the training or competition (or reimbursement for costs, if a lift pass has not been provided);
- issued a pass or armband stating the function or marked "course".

222.2 If a team captain or coach violates the competition regulations or the decisions of the Jury, or if they behave in an unsportsmanlike manner, the Jury may impose a sanction. This may be a written warning or withdrawal of accreditation for a given period of time or a fine, payable to U.S. Ski & Snowboard. U.S. Ski & Snowboard must be informed of the sanction.

222.3 A team captain or coach must fulfill the duties they have accepted as a member of the Jury, or as a course setter.

223 Publication of Results

223.1 The unofficial and official results will be published in accordance with the article 2061.

224 Application of the Rules and Sanctions

224.1 All events in the calendar must be held under approved rules. The organizer may introduce minor modifications or simplifications provided they have been agreed by the SC, or have been agreed by all the participating teams.

224.2 Competitions with limited participation can be held under special competition rules, provided they conform to the basic principles of the rules. Any deviation from the rules must be stated in the announcement.

224.3 Organizers, who conduct competitions so poor that the Jury or TD must cancel them, can be penalized by U.S. Ski & Snowboard, if the SC proposes this.

224.4 Organizers that hold competitions for competitors not qualified under articles 210-216 can be penalized by U.S. Ski & Snowboard.

224.2 The official results must be sent by mail or email to the national office within 3 days from the conclusion of the competition. Results should be sent to abbi.nyberg@usskiandsnowboard.org and results@usskiandsnowboard.org.

225 Prizes

225.1 Prizes shall consist of mementos, diplomas, checks or cash.

225.2 Prizes for setting or establishing records are forbidden.

225.3 Television

226 Rights of U.S. Ski & Snowboard

226.1 U.S. Ski & Snowboard is entitled to make contracts that apply to the transmission of coverage for competitions that it sanctions. U.S. Ski & Snowboard can transfer this right to anyone it desires.

227 Publicity

227.1 If U.S. Ski & Snowboard conveys television rights to another party, special concern must be taken to secure the best possible quality of publicity, as well as the widest possible transmission range for the competition.

228 Competition Equipment

228.1 A competitor may only take part in sanctioned competitions with equipment that conforms to the rules.

228.2 The term competition equipment encompasses, in their entirety, all items of equipment that the athlete uses in competitions. This includes clothing, as well as apparatus with technical functions. The entire sum of all competition equipment forms a functional unit.

228.3 The Jury of the competition may disqualify a competitor who violates the regulations concerning the competitor's equipment.

Rules Common to all Snowboard Events

2000 Organization

2001 The Organizing Committee

If the organizing club or association does not act as organizing committee, it will designate an organizing committee. The organizing committee will appoint a competition committee for all technical matters.

2002 Hosting Duties of the Organizing Committee

2002.1 The organizing committee must assume all responsibility to ensure that the details involved in hosting calendared competitions are properly controlled. The importance of efficient communication with all individuals and participating teams is essential to a well-planned competition.

2002.2 The organizing committee should provide an announcement that provides to all participants and guests materials on accommodation and travel details. In the case of a National Championship Event, judges are compensated in accordance with the rules.

2002.3 The Organizing Committee is responsible for providing results to individuals participating in the competition immediately following the competition.

2003 Basic Costs of the Organizing Committee

2003.1 The organizing committee must pay the calendar fee (art. 202) and head tax (\$9.00) per competitor, unless otherwise arranged with U.S. Ski & Snowboard.

2003.2 The organizing committee must compensate the judges in accordance with the division's policy for compensation. In the case of a national level event, judges are compensated in accordance with the policy of the FIS.

2003.3 The organizing committee must compensate the TD in accordance with the division's policy for compensation. In the case of a national level event, TD's are compensated in accordance with the policy of the FIS.

2003.4 The organizing committee must provide accommodations for officials in accordance with the current policy of the FIS.

2003.5 At national level events, officials and coaches with proper membership, working at the event will receive complimentary lift tickets.

2004 The Jury

2004.1 Appointment of the Jury

2004.1.1 Alpine events (PGS, PSL, SL, GS),

- the Technical Delegate
- the Referee
- the Chief of Competition

2004.1.2 SBX

- the Technical Delegate
- the Chief of Finish
- the Chief of Competition

2004.1.3 HP, SS, BA and other judged events

- the Technical Delegate
- the Head Judge
- the Chief of Competition or Chief of Pipe/Slopestyle

2004.1.1 The TD and/or Head Judge are appointed by the organizing committee, or in the case of national championships, by the Snowboard Sport Committee.

2004.1.2 The Referee is selected by the TD

- 2004.1.3 For national championships only, with the exception of the TD, no division may be represented by more than one Jury member.
- 2004.1.4 The Jury, when possible should include women
- 2004.1.5 A competitor may not be a member of the Jury.
- 2004.2 Tenure of the Jury
- 2004.2.1 The appointed Jury members gather for their first meeting prior to the start of official training.
- 2004.2.2 The active duty of the Jury begins with its first meeting and ends, if no protest is submitted, at the expiration of the protest deadline, otherwise after dealing with all submitted protests.
- 2004.3 Voting
- 2004.3.1 The TD is chairman of the Jury. He/She conducts the Jury meetings.
- 2004.3.2 The named members of the jury in 2004.1.1, 2004.1.2, 2004.1.3 have one vote in the jury for that specific event.
- 2004.3.3 Decisions are made by simple majority vote of members present and voting (exception art. 2067.6.3 and 2006.3). In the case of a tie, the TD casts the deciding vote.
- 2004.3.4 Minutes are to be kept of all meetings and decisions of the Jury and signed by the Jury.
- 2004.3.5 Each member of the Jury has the right, when urgent cases occur immediately prior to or during the competition, to make decisions, which according to the rules, are reserved to the Jury as a whole. These decisions are provisional with the obligation to have the decision confirmed by the whole Jury as soon as possible.
- 2004.3.6 In cases of risk the competitors, the decision of the TD (even contrary to the votes of the other Jury members entitled to vote) is binding. In such a case, the TD must put his decision in writing, together with the reasons for it, and bring it immediately to the attention of the Organizing Committee.
- 2004.4 Duties of the Jury
- 2004.4.1 The Jury monitors the adherence to the rules throughout the entire competition, including the official training.
- From a technical standpoint particularly by:
- checking the set course,
 - checking the snow conditions on and beside the course,
 - checking the preparation of the course,
 - approving the use of snow compactors and other chemicals,
 - checking the crowd control systems,
 - checking the start, the finish and the finish outrun,
 - checking the first aid service,
 - appointing the course setters,
 - setting the time of course setting,
 - overseeing the work of the course setters,
 - checking the fastening of the gate flags, as to the risk of injury,
 - opening or closing the competition courses for training in consideration of the technical preparations and the prevailing weather conditions,
 - determining the manner of course inspection,
 - inspection of the course before the competition (art. 2004.2.1),
 - determining the number of forerunners for each run and setting the start order of the forerunners,

- debriefing the forerunners,
- changing the start order in consideration of course conditions,
- in extraordinary conditions, changing the start intervals,
- giving instructions to and obtaining information from the gate judges,
- checking the judges stand and the judges working conditions.

2004.4.2 Jury Inspection

The Jury must check the course once it has been set by the course setter, paying special attention that:

- the poles are firmly rammed into the snow,
- the gates are in the right color order,
- the position of the poles is marked,
- the numbers are in the right order on the outside poles,
- the poles are high enough above the snow,
- the courses are set far enough apart to avoid misleading the competitors,
- the fencing for each course is far enough from the poles,
- obstacles at the edge of the course are either removed or neutralized,
- the last gate, before the finish, directs the competitors to the middle of the finish,
- the reserve poles are correctly placed not to mislead the competitors,
- the start and finish are in accordance with art. 2056 and 2059.

2004.4.3 From an organizational viewpoint particularly by:

- ranking the competitors for a draw,
- dividing the competitors without points into groups according to some determined basis,
- granting reruns,
- canceling the competition (beforehand) provided:
 - the snow cover is too meager on, or beside the course, or the snow surface on the course is badly or unevenly prepared,
 - danger areas are insufficiently protected,
 - the first aid and medical service are inadequate or at all lacking,
 - the crowd control is insufficient,
 - if the weather increases the danger for competitors,
- shortening the course, if snow or weather conditions make this appear necessary,
- interrupting the competition if the prerequisites of art. 2063 are present,
- terminating the competition if the prerequisites of art. 2064 are present.

2004.4.4 From a disciplinary viewpoint particularly by:

- deciding to exclude a competitor for lack of physical or technical ability,
- enforcing the regulations concerning advertising on equipment and clothing in the competition area,
- limiting the number of officials, technicians and medical personnel allowed on the competition course,
- pronouncing disqualifications,
- deciding on infractions by team captains, coaches, course setters, service personnel and company representatives, if they are accredited to the competition,
- pronouncing disciplinary measures,
- deciding protests,
- issuing particular directives throughout the entire event.

2004.5 Questions not covered by Rules

- In general, the Jury takes decisions on all questions not clarified by the rules.
- 2004.6 Radios
At all competitions on the calendar, the Jury members must be equipped with radios. These must function on a single reserved frequency and be free of interference.
- 2005 The Technical Delegate (TD)**
- 2005.1 Responsibilities
The primary duties of the TD are:
- to make sure that the rules and directions of U.S. Ski & Snowboard are adhered to,
 - to see the event runs in a fair manner,
 - to advise the organizers, within the scope of their duties,
 - to be the official representative of the U.S. Ski & Snowboard.
- 2005.2 Certification
TD certification is the responsibility of the official's subcommittee.
- 2005.3 Prerequisites
The TD must hold a valid TD designation.
- 2005.4 Designation
The TD designation, including the certification level, is indicated on the membership card.
- 2005.4.1 Continuation and Expiration of TD Designation
Every TD must annually take part in a U.S. Ski & Snowboard sponsored continuing education course. A TD, who for two consecutive years without ample cause misses the continuing education course or the TD duty assignment, loses his/her TD designation. In order to be able to regain it, they must complete the TD candidate qualification and requirement again.
- 2005.5 TD Assignment
- 2005.5.1 The organizer must establish contact with the TD in good time.
- 2005.5.2 Cancellations or postponements of events must be announced to the TD and to the national office immediately, taking into account any applicable deadlines.
- 2005.5.3 For all competitions, the TD must arrive at the competition site before the start of official training.
- 2005.6 TD Replacement
- 2005.6.1 At all competitions, a substitute for an absent TD is to be named before the team captains' meeting. The replacement must likewise meet the requirements of art. 2006.3
- 2005.6.2 The replacement TD has the same rights and duties as the TD originally appointed.
- 2005.7 Duties of the TD
- 2005.7.1 Before the competition, the TD:
- reviews the information on the course and consults the organizer about the possible existence of a special authorization,
 - reads the TD reports about previous events at the site and checks whether the improvements proposed in these reports have been carried out,
 - inspects the competition and training courses and checks on the safety measures taken,
 - controls the fastening of the gate flags which may constitute any risk of injury to the competitor,
 - collaborates in the administrative and technical preparations,
 - checks the official entry lists,

- checks on the presence of sufficient radios for all members of the Jury,
- checks the accreditation and the authorization for entry on the course,
- checks courses with regard to preparation, marking, crowd control, as well as the layout of start and finish areas,
- supervises the course setting together with the Jury,
- checks the location of towers and sees they are adequately protected,
- supervises the locations of the first aid service, as well as the organization of the medical care,
- checks all technical installations such as timekeeping, hand timing, communications, judges stand, transport of people, etc.,
- is in the immediate area during all training,
- takes part in all meetings of the Jury and of the team captains,
- works closely with the officials of the Organizing Committee,
- is chairman of the Jury with a casting vote in case of a tie,
- if necessary, appoints members to the Jury,
- has the right, if an event cannot be carried out on the selected course because of “force majeure”, to move the event to a substitute course proposed by the organizer. This, on the explicit condition that the necessary safety measures can be fulfilled.

2005.7.2 During the competition, the TD:

- must be present in the course area,
- works closely with the Jury, the team captains and the coaches,
- keeps watch on whether the valid rules and directives are obeyed in regard to advertising, etc., on clothing and race equipment,
- keeps watch on the technical and organizational conduct of the event,
- advises the organization concerning the observance of the rules,
- punishes breaches of the rules.

2005.7.3 After the competition, the TD

- helps with the compilation of the Referee’s disqualification report,
- presents properly submitted protests to the Jury for decision,
- signs the official result lists established by the Competition Secretary and gives the authorization for the award ceremony,
- fills out the TD report, including any supplementary reports, and is responsible for their dispatch, within three days, to the national office and other appropriate places,
- presents, to the national office, any applicable proposals for changes in the competition rules on the basis of practical experience at the event in question.

2005.7.4 In general, the TD:

- decides on questions which are not covered or are insufficiently covered by the rules, in so far as these have not already been decided by the Jury and do not fall within the purview of other authorities,
 - works very closely with the Referee and Assistant Referee. In critical cases, and above all in decisions on safety and jeopardy of the competitors, the rulings of the TD are binding,
- has the right to:
- order the interruption of a competition, if the prerequisites of art. 2063 are present,
 - cause the termination of a competition, if the prerequisites of art. 2064 are present,
 - propose to the Jury, the exclusion of competitors from participation in the competition, if the personal safety of the competitors appears endangered because

they do not measure up to the difficulties of the course,

- obtain support from the Organizing Committee and all officials under its jurisdiction in all matters necessary to the fulfillment of his/her duties.

2006 Judges (freestyle events)

The judges for a competition will be a qualified group of individuals. Each judge will use score cards which indicate the judge and the name and bib number of the competitor. All score cards will indicate a score for the category utilized to assign a final score. This is a closed scoring system.

2006.1 Number of Judges

At least 4 judges, including a Head Judge, will be appointed for national level competition. If necessary the Head Judge may serve as one of the four scoring members of the judging panel.

2006.2 The Head Judge

2006.2.1 The Head Judge for national championships will be appointed by the Snowboard Committee.

2006.2.2 The Head Judge is a member of the Jury.

2006.2.3 An alternate for the Head Judge and for a member of the judges panel should be named and available, if for any reason, an individual is unable to perform his/her duties.

2006.2.4 The Head Judge may or may not serve as a judging member of the judging panel as explained in 2010.1.

2006.2.5 The Head Judge may act as a substitute judge in emergencies.

2006.3 Duties of the Head Judge

2006.3.1 To help coordinate the judges' accommodations, per diem, and related transportation.

2006.3.2 To conduct the team captain's meeting the day before the contest and conduct the judges' briefings and post competition analysis with the judges.

2006.3.3 To attend all necessary course inspections with the TD, the Chief of Course, and the available team captains.

2006.3.4 Brief judge's secretaries and ready administrative materials for judging (supplies, scorecards, and comfort items).

2006.3.5 To accept all properly executed protests.

2006.3.6 To insure the appropriate behavior of the judges at all times during the competition.

2006.3.7 To lead all discussions during training and forerunning for the purpose of calibration.

2006.3.8 Determines which judge will be used for specific categories and oversees changes in assignments if appropriate.

2006.3.9 Supervision and control over scoring procedures, including dialogue concerning deviant scores.

2006.3.10 Announcing to the starter when judges are ready for competitors and to articulate to the judges the number of the next competitor.

2006.3.11 Responsible for the control of the judges' stand and all activities that take place upon it.

2006.3.12 Responsible for the calculation and the checking of the score.

2006.3.13 To check the accuracy of all tie-breaking decisions.

2006.3.14 To inspect the judge's stand for purposes of approving its location, construction, and sightlines. This inspection shall occur at least one day before the competition day.

- 2006.3.15 To be responsible for the construction of the HP (when appropriate) or to be responsible for the oversight of the HP maintenance during practice and competition with direct coordination by the Chief of Course.
- 2006.3.16 To be the final authority on all judging issues at the competition, and to accept all responsibility for any irregularity in the service provided by the judges to the competition.
- 2006.3.17 To be part of the Jury with the TD, and the Chief of Competition.
- 2006.4 Judges' Responsibilities and Duties
- 2006.4.1 To adjudicate and rank every competitor fairly, without bias, without regard to former impressions, and without regard to the competitor's national or divisional affiliation, race, color or creed.
- 2006.4.2 All judges shall articulate all potential conflicts of interest to the Head Judge.
- 2006.4.3 The judges while in their professional capacity shall refrain from discussing personal viewpoints of the judging to team captains, competitors, and spectators during the course of the competition.
- 2006.4.4 A judge shall be discreet and reasonable in all discussions.
- 2006.4.5 A judge shall not predict outcomes in advance.
- 2006.4.6 A judge shall accept criticism calmly and maintain composure in all situations.
- 2006.4.7 A judge shall not in any way communicate the conduct of any judge in a disparaging manner. Any criticism of a judge's performance or behavior shall be directed to the Snowboard Judges Committee, or the competition Head Judge.
- 2006.4.8 All judges shall be skilled in identifying the various maneuvers that the competitors perform.
- 2006.4.9 Judges shall attend all judges' briefings and post-competition sessions, team captain meetings, and be available to the Head Judge.
- 2006.4.10 All judges need to be able to judge in an effective and timely manner.
- 2006.4.11 To follow the judging criteria in all aspects.
- 2006.4.12 To maintain membership qualifications by attending all necessary clinics, seminars, and competitions.
- 2006.4.13 To hold a valid Official's membership.

2007 Referees (alpine events)

The team captains appoint the Referee and assistant referee. For national championships, the Referee should be from a division other than that of the TD and Chief of Competition.

- 2007.1 In critical cases, especially those involving danger to the competitors, the directions of the TD are also binding for the Referee and assistant referee. In particular, prerequisites should be established by the TD together with the referees, to ensure the best possible technical running of a competition.
- 2007.2 Duties of the Referee and Assistant Referee
- 2007.2.1 Drawing start numbers, if necessary.
- 2007.2.2 Inspection of the course immediately after it is set, alone or accompanied by members of the Jury.
- 2007.2.3 Changing the course by removing or adding gates; if the Referee inspects the course alone, his decision is final. The course setter must be informed of such changes, if he/she was not present at this inspection.
- 2007.2.4 Receiving the reports of the start and finish referees and the competition officials about the infractions of the rules and the gate faults at the end of the first run, and again at the end of the competition.

- 2007.2.5 Checking, signing and posting the Referee's minutes, immediately after each run, on the official notice board and also at the finish. The minutes should include the names of the competitors disqualified, the gate numbers where the faults occurred, the names of the gate judges who noted the faults leading to the disqualifications and the exact time the disqualifications were posted.
- 2007.3 Collaboration with the TD
The Referee and the assistant referee must work very closely with the TD. The assistant referee can substitute for the Referee, if necessary.
- 2007.4 Start Referee
- 2007.4.1 The start referee must remain at the start throughout training and competition. He/She must make sure the rules for starting and the start order are properly observed.
- 2007.4.2 He/She determines late and false starts.
- 2007.4.3 He/She determines the violations against the rules for equipment and immediately takes the measures provided for by the rules.
- 2007.4.4 At the end of the competition, he/she reports to the Referee the names of the competitors who did not start, have made false or late starts or other infringements.
- 2007.5 Finish Referee
- 2007.5.1 The finish referee must remain at the finish throughout training and competition. He/She must make sure that and the rules for finishing are properly observed.
- 2007.5.2 He/She supervises the finish controller, the timing and the crowd control in the finish area.
- 2007.5.3 He/She must be able to communicate, immediately, with the start at all time.
- 2007.5.4 The finish referee must report to the Referee immediately after the competition.
- 2008 Course Setters / Course Builder**
- 2008.1 Prerequisites
All course setters / course builders must be members of U.S. Ski & Snowboard.
- 2008.2 Appointment
Course setters / course builders are appointed by the Jury. Each run of an alpine competition is to be set by a different course setter.
- 2008.3 Supervision of the Course Setter / Course Builder
For all competitions, the Jury supervises the work of the course setter.
- 2008.4 Replacement of the Course Setter / Course Builder
For all competitions, the replacement course setter must have the same qualifications as the original course setter.
- 2008.5 Rights of the Course Setter / Course Builder
- 2008.5.1 Course setters have the right to recommend changes in the course terrain and in the safety procedures.
- 2008.5.2 Availability of a sufficient number of helpers for setting the course, so he/she can concentrate solely on setting the course.
- 2008.5.3 Provided with all necessary materials by the Chief of Course.
- 2008.5.4 Immediate completion of the finishing touches to the competition course.
- 2008.5.5 Choice of the color with which to begin the flagging of the course. Visibility should be the determining factor.
- 2008.6 Duties of the Course Setter
- 2008.6.1 The course setter conducts a pre-inspection of the course terrain in the presence of the TD, the Referee, the Chief of Competition, and the Chief of Course. In order to set the course appropriately, the course setter must respect the terrain, the snow cover and the caliber of the participating competitors.

- 2008.6.2 The course setter is responsible for setting the course. The safety of the competitors must take precedence over all other interests. The Jury is empowered and obligated to take all appropriate measures for the benefit of competitor safety.
- 2008.6.3 Course setters must take care to set symmetrical courses that do not favor goofy or regular competitors.
- 2008.6.4 SL courses must be completely set and ready no later than one and a half hours before the start and GS courses no later than one hour before the start, so the competitors are not disturbed during course inspection by work on the course.
- 2008.6.5 The course setter must take care that the difference between the winning times of each run will not be too great.
- 2008.6.6 The course setter is solely responsible for the set course. While the course should reflect the concepts of the course setter, the rules must be observed in every respect.
- 2008.6.7 The course setter must participate in all team captains' meetings at which a report is to be made about the set course.
- 2008.6.8 The course setter must cooperate with the Jury members.
- 2008.7 Assistance
Assistance must be provided for the course setter, at a time to be fixed by the Jury, so the course setter can concentrate on actually setting the course and not be distracted by fetching poles, etc.
- 2008.8 Arrival at the Competition Site
The course setter should arrive before the first team captains' meeting.

2051 Forerunners

- 2051.1 The organizer is obliged to provide at least three qualified forerunners. The forerunners must be members of U.S. Ski & Snowboard. In extraordinary conditions, the Jury may increase the number of forerunners. The Jury may designate different forerunners for each run.
- 2051.2 The forerunners must wear forerunner's start numbers (bibs).
- 2051.3 The nominated forerunners must exhibit sufficient snowboarding ability to cover the course in competition fashion.
- 2051.4 Competitors disqualified in the first run are not permitted to start as forerunners in the second run. Competitors suspended for disciplinary reasons cannot be named as forerunners.
- 2051.5 The Jury determines the forerunners and their start order. After an interruption of competition, additional forerunners may be authorized as needed.
- 2051.6 The times of the forerunners may not be published.
- 2051.7 Upon request, the forerunners shall report to members of the Jury regarding the snow conditions, the visibility and the course.

2052 Competitors' Clothing and Equipment

- 2052.1 Bibs
Shape, size, lettering and attachment method may not be altered on penalty of disqualification. The number must be at least 12 cm high and easily legible. The individual letters may not exceed 8 cm in height. Bibs can carry a commercial name or commercial marks if every bib has the same marking. No names that appear on hardware products (snowboards, bindings, boots, and protective gear) can appear on bibs.
- 2052.2 Retention devices and leashes
Safety leashes are optional unless required by the organizer or the ski area.
- 2052.3 Snowboards

Snowboards must have a minimum width as described:

Gliding Surface Length	Minimum Width
up to 135 cm	14 cm
more than 135 cm	16 cm

2052.4 Bindings

Bindings must be fixed diagonally on the long axis of the board. Boots cannot overlap each other.

2052.5 Helmets

Helmets are mandatory for all Snowboard events during inspection, training and competition. All competitors and forerunners must wear helmets manufactured for snowboarding /or ski racing allowing clear vision. It is strongly recommended that competitors consider utilization of back protection.

U.S. Ski & Snowboard neither specifies nor recommends any particular helmet design or brand name and undertakes no responsibility or liability in connection with the requirement that helmets be utilized. It is the sole responsibility of the competitor to select an appropriate helmet for accident protection in snowboard competition.

Caution: The protective qualities of all safety helmets are affected by age and use. Some older helmets and any helmets that have been damaged either in a fall or from other impact may no longer provide sufficient protection - even if there are no visible indications of damage. U.S. Ski & Snowboard neither specifies nor makes any warranties as to the fitness for use of any particular ski helmet nor assumes any responsibilities or duties to any competitor by requiring the use of a helmet.

2052.6 Other Equipment

Competitors are not allowed to use any kind of device to additionally support their balance or reduce or accelerate their speed.

2052.7 Advertising

The advertising on clothing and equipment worn during competition and training must conform to the rules as stated in articles 208 and 209.

2053 Age Classification

Age classifications are based upon the competitor's year of birth. Classifications are defined on the front of this guide.

2054 Timing

2054.1 Communication

There must be communication (radios or wire) between the start and finish.

2054.2.1 Electric Timing

For all competitions, two synchronized electronically isolated timing systems operating in time-of-day must be used. One system will be designated system A (main system), the other system B (backup system) prior to the beginning of the competition.

All time of day times must be immediately and automatically sequentially recorded on printed strips to at least 1/1000th (0.0001) precision. Both systems must allow for the calculation of net times by the mathematical comparison of each competitors start time to finish time. The final results for each competitors run is then expressed to 1/100th (0.01) precision by truncating the calculated net time on course.

For all competitions, system A must be connected to its respective start gate contact. System B must be separately connected to another electronically isolated start gate contact.

All timing equipment and technical installation should be set up or protected in

such a way that danger to the competitors is avoided where possible.

Synchronization of the timing system must occur within 60 minutes of the start of each run – minimum of 30 minutes. Synchronization of all system must be maintained throughout each run. Timers may not be re-synchronized during a run.

2054.2.2 Start Gate

The posts supporting the starting gate should be approximately 80-90 cm apart. Additional posts may be secured in place to “push off” if the timing gates cannot be used for the push off.

The starting gate, consisting of two (Parallel), four (SBX) or size (SBX) independent starting mechanisms connected on to a one wand system or start system will be placed so that starting is impossible without its opening or engaging.

2054.2.3 Photo cells

For all competitions, there must be two photocell systems(s) homologated by the FIS installed at the finish line. The cells are placed in such a height that a competitor finishing normally cuts the beam with the lower half of his legs, between the ankle and the knee.

2054.2.4 Hand Timing

Manual (hand) timing, completely separate and independent of the electronic timing must be used for all competitions. Stopwatches or hand operated battery powered timers that are installed at both the start and the finish and capable of expressing times to at least 1/100th (0.01) precision qualify as proper hand timing devices. They must be synchronized prior to the start of each run, preferably with the same time-of-day as system A and system B. Printed records, either automatic or hand-written, or recorded hand times must be immediately available at the start and the finish.

2054.2.5 Score Board

Organizers shall provide appropriate facilities for continuous visual or acoustic presentation of all registered times or scores of all competitors.

2054.3 Timing of Finish

2054.3.1 With electric timing, the time is taken when a competitor crosses the finish line with any part of their body or equipment, breaking the beam between photocells.

2054.3.2 With hand timing, the time will be taken when any part of the competitor crosses the finish line. The finish controller determines the correctness of passage across the finish line.

2054.3.3 In case of a fall at the finish, the time can be taken without both of the competitor's feet having crossed the finish line. For the registered time to become valid, the competitor must immediately completely cross the finish line with at least one foot attached to the board.

2054.3.4 In case of a failure in the main electric timing system, the results of the backup electric timing will be valid.

2054.4 Utilization of times taken by hand

Hand times may be used in the official results after a correction has been calculated.

2054.4.1 Hand Time Correction Calculation (E.E.T)

Calculate the difference between the times taken by hand and the electric times of the 5 competitors starting before the missing time and the 5 starting after, or if necessary, the 10 nearest competitors.

The sum of the remaining 10 time differences is divided by 10 to give the correction that must be applied to the hand time of the competitor without an electric time. (The E.E.T worksheet in the event package is used for this calculation.)

2054.4.2 The official timing strips from the printer will be given to the Technical Delegate for review. They will be kept by the Organizers until the official approval of the competition or any appeal dealing with timing or competition results.

A technical timing report form as prescribed by the FIS must accompany the competition results and must be reviewed and signed by the chief of timing and reviewed and signed by the TD as his approval of the competition. All printed records from system A, system B and hand timing must be retained by the Organizer for the period of three (3) months after the competition or after any appeal dealing with timing or competition results.

2054.5 Private timing of the teams

Any request to install private timing equipment has to be made to the Jury by the team captain concerned, and the Jury decides concerning approval of the installation.

2055 Start and Finish Officials

2055.1 Starter

2055.1.1 For freestyle events, the starter must have radio contact with the Head Judge during training and competition.

2055.1.2 For alpine events, the starter must synchronize his/her watch with those of the assistant starter and the chief timekeeper within ten minutes of the start. The starter is responsible for the warning signal and the start command, as well as for the accuracy of the intervals between these signals. He/She assigns the supervision of the competitors to the assistant starter.

2055.2 Assistant Starter

The assistant starter is responsible for calling the competitors to the start in their correct order.

2055.3 Start Recorder (alpine events)

The start recorder is responsible for recording the actual start times for all competitors in alpine events.

2055.4 Chief Timekeeper (alpine events)

The Chief Timekeeper is responsible for the accuracy of the timing. He/She synchronizes the watches with the starter as shortly before and after the competition as is possible. He/She must publish unofficial times as quickly as possible (on the scoreboard). If the electric timing fails, the chief timekeeper must communicate immediately with the start referee and the TD.

2055.5 Assistant Timekeeper (alpine events)

Two assistant timekeepers operate stopwatches according to art. 2054.3. One assistant timekeeper maintains a complete record with the registered times of all competitors.

2055.6 Finish Controller/Chief of Finish (SBX)

The finish controller has the following duties:

Supervision of the section between the last gate and the finish.

- supervision of the finish,
- supervision of the proper crossing of the finish line,
- recording the finishing order of all competitors who complete the course.

2056 The Start

2056.1 Start Area

The start area must be closed off to everyone except the starting competitor, accompanied by only one coach and the start officials. The start area must be protected appropriately against inclement weather. A special roped off area must

be provided for coaches, team captains, service personnel etc., in which they may take care of the waiting competitors without being interrupted by the public. An adequate shelter must be prepared for the competitors waiting for the call to start.

2056.2 Start Ramp

The start ramp shall be prepared in such a way that the competitors can stand relaxed on the starting line and can quickly reach full speed after leaving the start.

2056.3 Start Procedure

No official or attendant who could possibly give an advantage to or cause disturbance may be behind the competitor at the start. All outside help is forbidden. By order of the starter, the competitor must take his place behind the wand or start mechanism. The starter must not touch the competitor at the start. Pushing off by competitor from the start posts or other similar aids is allowed.

2056.4 Start Signals/Commands

2056.4.1 For all single timed events (GS, SL, SBX) the start signal is as follows:

Ten seconds before the start, the starter will tell each competitor "Ten Seconds". Five seconds before the start, he shall count "5, 4, 3, 2, 1" and then give the start command "Go – Partez – Los".

If possible, an automatic audible signal is to be used. The starter will let the competitor see the start clock.

2056.4.2 For Parallel events the start command is as follows:

Before the starter gives the command – "Go" or a single audible signal, he must first ensure that the competitors are ready by asking: "red course ready, blue course ready, attention".

"Riders ready" only can be used in connection with an audible command (series of short beeps followed by one louder starting beep when doors open).

2056.4.3 For Freestyle events (HP, BA, SS) the start command is as follows:

Before the starter gives the command "Go" to the next competitor he must wait till he receives a "Judges Ready" from the Head-Judge. The starter confirms to the Head-Judge for example "bib number 22 dropping in right (or left)".

2056.4.4 For SBX Finals the start command is as follows:

"Riders ready – attention" – randomly 1–4 seconds before the doors open (this 1–4 seconds is up to the starter).

2056.5 Start Timing

The start timing shall measure the exact time the competitor crosses the start line with his/her leg, below the knee.

2056.6 Delayed Start

A competitor who is not ready to start on time will be sanctioned. The Start Referee may, however, excuse such a delay if, in his opinion, the delay is due to "force majeure".

For example, breakdown of a competitor's personal equipment or minor sickness of a competitor does not constitute "force majeure".

In case of doubt, the Start Referee may allow a provisional start, which start must be confirmed or denied by the Jury.

2056.6.1 In the case of fixed start intervals, the delayed competitors may start at the fixed interval after he/she has reported to the start referee, in accordance with the decision of the start referee

2056.6.2 In the case of irregular start intervals, the delayed competitor will start at the discretion of the start referee.

2056.6.3 The start referee will make all the decisions in the case of a delayed start. At the conclusion of the competition, he/she must immediately inform the Referee of the start numbers and names of competitors who were not allowed to start because of late appearance, or who were allowed to start in spite of late appearance, or who were allowed to start provisionally.

2056.7 Valid and False Starts

The Start Referee makes the decisions after consultation with the Jury and must record the start numbers and names of competitors who were sanctioned by not being allowed to start because of late appearance, or who were allowed to start in spite of late appearance, or who were allowed to start provisionally. The operative theory here is one of determining competitor advantage.

2056.7.1 A competitor must leave the start with both feet attached to the board in all alpine events.

2057 Public Address System

2057.1 Music may be used in all events but is recommended for HP. The sound system must be powerful enough so the competitor can hear the music clearly and without distortion while on any part of the course. The speakers must be on the side(s) of the course and evenly distributed from top to bottom, so the sound will reach the competitor simultaneously on the course.

2057.2 The Chief of Sound will be in radio contact with the competition officials at all times.

2057.3 The Chief of Sound is responsible for the music during the competition and the cueing of tapes.

2057.4 Music will not contain foul or obscene language.

2058 The Course and Competition

2058.1 Homologation

All courses must comply with standards set by the SCC. Technical specifications are defined in articles 2100 - 3000.

2058.2 Visibility

When visibility is poor, pine boughs or dye shall be used to spread on the sides of the course to aid in depth perception.

2058.3 Warm up slope

Appropriate warm up slopes, closed to the public, must be made available for all courses.

2058.4 Closing or Modifying the Course

2058.4.1 On a closed course, no one except for the Jury is permitted to change gates, flags etc. or modify the course structure (jumps, bumps, etc.).

2058.4.2 Competitors who enter a closed competition course at times other than those published by the Jury may be disqualified. Trainers, servicemen, coaches etc. who are allowed on a closed competition course are to be determined by the Jury. Similarly, the number and places for photographers and camera teams, insofar as they are situated inside the barriers, must be approved by the Jury.

2058.5 Gate Poles (alpine events)

All poles used in the alpine events are divided into rigid poles and flex poles.

2058.5.1 Rigid Poles

Round, uniform poles with a diameter between 20 mm and 32 mm, without joints, are allowed as rigid poles. They must be of such a length that, when set, they project at least 1.80 m out of the snow and they must be made of a non-splintering material (plastic, plasticized bamboo or material with similar properties).

- 2058.5.2 Flex Poles
Flex poles must conform to the rigid pole specifications but are fitted with a spring-loaded hinge.
- 2058.5.2.1 Stubby Poles
Stubby poles are flex poles with not more than 20 cm of pole above the hinge. Stubby poles must be padded on the end.
- 2058.5.3 Spare Gate Poles
Spare poles shall be placed so that they do not mislead the competitors.
- 2058.5.4 The Chief of Course must provide enough of the following:
- blue and red slalom poles,
 - a corresponding number of flags, divided by colors,
 - sledgehammers, crowbars, drills, wedges, etc.,
 - gate numbers,
 - spare poles,
 - and dye for marking the position of the poles.
- 2058.5.5 Marking Gates
The positions of the gate poles are to be marked with an easily recognizable coloring substance that remains visible throughout the entire race.
- 2058.5.6 Numbering Gates
The gates must be numbered from top to bottom of the course and the numbers attached to the outside pole. Start and finish are not counted.
- 2059 The Finish**
- 2059.1 Finish Area
- 2059.1.1 The finish area must be plainly visible to the competitor approaching the finish. It must be wide, with a gently sloped smooth outrun. It must be well prepared and smoothly packed to make stopping easy.
- 2059.1.2 In setting a course with gates, particular attention shall be paid to directing competitors across the finish on a natural line adapted to the terrain.
- 2059.1.3 Foam rubber or other appropriate protection shall be used to prevent any possibility of a collision with the finish structures.
- 2059.1.4 The finish area shall be completely fenced. Any unauthorized entry must be prevented. Barricades shall be placed so colliding with them does not injure the competitors.
- 2059.2 Finish Line (see diagram in Course Standards section)
- 2059.2.1 The finish line is marked by two protected posts (or three or four for Parallel events) or vertical banners which are connected by a horizontal banner.
In PSL/PGS each finish must be at least 8 m wide (together minimum 16 m), in GS and SBX the finish must be no less than 10 m wide. In HP the finish line position will be decided by the Head-Judge and extends from roll out deck to roll out deck across the bottom of the pipe (the finish line is the last take off point for judging).
In exceptional cases, the Jury can decrease this distance for technical and security reasons or because of the terrain. The width of the finish is considered to be the distance between the two finish posts or banners. The timing supports must also be at least this far apart and are to be protected so as to not present a security issue. The timing supports can usually be placed directly behind the finish posts or banners, on the downhill side. The finish line must be clearly marked horizontally with coloring substance.
- 2059.2.2 The finish line must be clearly marked with dye.

- 2059.3 Crossing the Finish Line
- The finish line must be crossed with at least one foot attached to the board.
 - With both feet in the case of a fall in the immediate finish area. In this case the time is taken when any part of the competitor's body or equipment stops the timekeeping system.
 - In SBX the competitor's place of finish is determined when any part of the body or snowboard crosses the finish line.

2060 Reruns

2060.1 Prerequisites

2060.1.1 A competitor who is hindered during competition by the error of an official, by a spectator, by an animal, or by any other justifiable causes can apply to any member of the Jury for a rerun immediately after the occurrence of the interference. The team captain of the hindered competitor can also make this claim. The competitor must leave the course immediately after the interference and may not snowboard further down the course. (Does not apply in SBX Finals.)

2060.1.2 In special situation or other technical failures i.e. failure of start gate(s) or timing systems, the Jury may order a provisional re-run.

2060.1.3 If a competitor is stopped by a yellow flag in SBX, he has the right to request a provisional re-run, under the condition that the Jury considered this possible from an organizational point of view. The Jury should ensure that the competitors provisional re-run take place before the last competitor on the start list.

2060.2 Grounds for Interference

2060.2.1 Blocking of the course by an official, a spectator, an animal or other hindrance.

2060.2.2 Blocking of the course by a fallen competitor, who did not clear the course soon enough. (Does not apply in SBX final.)

2060.2.3 Objects in the course such as equipment of a previous competitor. (Does not apply in SBX.)

2060.2.4 Activities of the first aid service which hinder the competitor.

2060.2.5 Absence of a non-marked gate knocked down by a previous competitor, and not promptly replaced. (Does not apply in SBX finals.)

2060.2.6 Malfunction of the scoring system.

2060.2.7 Other similar incidents, which beyond the will and control of the competitor, cause significant loss of speed or affect the competitor's performance. (Does not apply in SBX.)

2060.2.8 Competitors who continue after an interference will lose the right to claim a rerun. (Does not apply in SBX.)

2060.3 Validity of a Rerun

2060.3.1 If the Referee or another Jury member is unable to question the appropriate officials immediately to judge the justification for the rerun, he/she may, to avoid delay for the competitor, grant a provisional rerun. This rerun will be valid only if the Jury confirms it.

2060.3.2 If the competitor was already disqualified before the incident entitling him to request a provisional rerun, the rerun is not valid.

2060.3.3 The provisionally or definitively approved rerun remains valid even if it proves slower than the first (original) run.

2060.3.4 If the claim for rerun is shown to be unjustified, the competitor is disqualified.

2060.4 Start Time of the Rerun

2060.4.1 In case of fixed start intervals, the competitor may start a provisional re-run at the fixed interval, after he has reported to the start referee. The start referee's should

allow the competitors a reasonable amount of time to compose themselves prior to such start.

2061 Calculation and Announcement of Results

2061.1 Unofficial Results

Results shall be considered unofficial until approved by the TD. Unofficial results shall be posted on a score board which shall be readily visible from the area provided for the competitors who have finished. Whenever possible, unofficial results should be announced to the public over loudspeakers. In HP, SBX and SS events a scoreboard should be provided at both the top and bottom of the course.

2061.2 The Chief of Calculations

The Chief of calculations is responsible for quick and accurate calculation of results. He/She supervises the immediate duplication of unofficial results and the publication of official results after expiration of the protest interval, or after any protests have been decided.

2061.3 Announcement of Unofficial Results and Disqualifications

As soon as possible after completion of a competition, unofficial results and disqualifications shall be announced on the official notice board and at the finish. The time limit for protest is counted from the moment of this announcement.

2061.3.1 Official Notice Board

The announcement of unofficial results at the finish and start, together with written and verbal announcement of disqualifications, may replace the announcement on the official notice board. In this case it may be decided that protests can be delivered orally to the Referee at the finish immediately, or within 15 minutes after the announcement of the disqualification and that protests entered after are considered null and void. The team captains must be informed beforehand.

2061.4 Official Results

Official results are determined from the official times, scores or finishes (SBX) of those competitors who have been officially classified.

2061.4.1 If two or more competitors have the same time, the same score, the same number of points or the same place and the tie cannot be broken pursuant to the rules, they will receive the same place (points) but the competitor with the higher start number shall be listed first on the official list of results.

2061.4.2 The official result list must contain the following:

- the name of the organizing club or association;
- the name of the competition, the site, discipline and category (men or ladies);
- the date of the competition;
- all technical data such as the name of the course, altitude at start and finish, vertical drop, the length of the course, number of features, course builder, Inclination HP, Height of BA jump, Inclination landing in BA, etc.
- the names and nations of the members of the Jury and the Judges;
- for each run, the names and nations of the course setter and the forerunner(s), and if applicable the number of gates and the start time;
- the weather, the snow conditions on the course and the air temperature at start and finish areas;
- all details concerning the competitors, finish order, start number, FIS competitor code number, name and first name, nation time and competition points;
- the start number, national ID number, name, first name and nation of those competitors who were not at the start, did not finish or were disqualified in each run;

- the names of the official service companies, e.g. timing company, computer service etc.

Complete Scoring Calculations (i.e.: individual Judges scores, total score applicable for each run and category of judging; the signature of the Technical Delegate.

- the signature of the Technical Delegate

2061.4.3 The result lists (official and unofficial) as well as the start lists must be printed on white paper:

2062 Award Ceremony

The award ceremony may not be held before the completion of the competition and not before the TD has authorized the results.

2062.1 The organizer has the right to present, before this time, the probable winners. This presentation is unofficial and is organized at a place different from that of the official award ceremony.

2062.2 Competitors inexcusably absent from the award ceremony will lose their right to a prize.

2063 Interrupted Training or Competition

If an interrupted competition cannot be finished on the same day, it is to be treated as a terminated competition.

2063.1 Interruption by the Jury

2063.1.1 The Jury may interrupt a competition for the competitors' safety or to allow a fairer and more consistent course for all competitors. In such cases the time and duration of interruptions should, if possible, be published before the competition.

2063.1.2 The Jury may interrupt a competition for unfavorable or inconsistent weather and snow conditions.

2063.1.2.1 The competition is to be restarted, as soon as the work on the course has finished and if the weather and snow conditions have changed so a proper competition can be assured.

2063.1.2.2 A repeated interruption of the competition ordered for the same reason should lead to a termination.

2063.2 Interruption by the Jury

2063.2.1 The Jury may interrupt a competition

- when there is an increased risk for the competitors,
- when unforeseen incidents and risks have occurred,
- when wind conditions warrant.

2063.3 Brief interruption

Each member of the Jury is entitled to order a brief interruption of the competition.

2064 Terminated Training or Competition

2064.1 Termination by the Jury

The Jury may terminate a competition

- if the competitors are endangered by outside influences,
- if different conditions arise or the proper conduct of the competition is no longer guaranteed.

2064.2 Termination by the Jury

The Jury may terminate a competition if the competitors' safety can no longer be guaranteed, i.e. heavy fog or strong gusts of wind or rain, and an improvement can no longer be expected.

2065 Disqualifications

2065.1 A competitor may be disqualified by the Jury:

- if they do not fulfill the eligibility conditions according to the art. 200,
- if they violate the rules in the art. 200,
- if they violate the other rules providing for possible disqualifications,
- if they violate decisions of the Jury,
- if they behave in an improper way towards members of the Jury, the Organizing Committee or the Competition Committee.

2065.2 A competitor shall be disqualified by the Jury if they:

2065.2.1 participate in the competition under false pretenses.

2065.2.2 either jeopardizes the security of persons or property or actually causes injury or damage. Is determined to have caused interference to another competitor.

2065.2.3 train on a closed course; alter the course in a manner forbidden or act contrary to the instructions of the Jury in training or competition.

2065.2.4 does not wear acceptable helmet pursuant to the rule or the official start number in training, at the inspection, in the competition or alters this start number in anyway.

2065.2.5 appears late at the start, makes a false start or violates the regulations for the execution of the start.

2065.2.6 fails to cover the course on their board or pass the finish in accordance with 2008.11.2.

2065.2.7 accepts outside help in any form during the competition.

2065.2.8 fail to give way to an overtaking competitor at the first call or interferes with their run. (Does not apply in SBX.)

2065.2.9 Unjustifiably request a rerun, which is later shown to be unsubstantiated.

2066 Disciplinary Actions by the Jury

2066.1 Against Competitors

2066.1.1 Oral reprimand.

2066.1.2 Written reprimand that is to be sent to the national office.

2066.1.3 Suspension from the next discipline, if any, at the same event, without the possibility of entering a substitute, if the start order has already been determined.

2066.1.4 Suspension for seven days following the competition in question (the day of the competition in question is not counted) from participating in any competition included in the competition calendar; for a repeated offense, the suspension period can be doubled.

2066.2 Against Officials, Team Captains and Coaches

2066.2.1 If the team captains, coaches or officials violate the rules or the decisions of the Jury (art. 222.2 and 222.3), the Jury can impose the following penalties:

2066.2.1.1 Oral reprimand.

2066.2.1.2 Written reprimand that is to be sent to the national office.

2066.2.1.3 Money fine (art. 222.2).

2066.2.1.4 Withdrawal of accreditation for a specific period of time.

2066.2.1.5 The national office is to be informed immediately of any disciplinary measures.

2067 Protests

2067.1 Types of Protests

2067.1.1 Against admittance of competitors or their competition equipment.

2067.1.2 Against the course or its condition.

2067.1.3 Against another competitor or against an official during the competition.

2067.1.4 Against disqualifications

2067.1.5 Against timekeeping or score calculations.

- 2067.1.6 Against instructions of the Jury.
- 2067.2 Submission of Protests
 - Various protests are to be submitted as follows:
- 2067.2.1 Protests, according to articles 2067.1.1 – 2067.1.6 shall be submitted at the location designated on the official notice board or at a place announced at a team captains' meeting.
- 2067.2.2 Protest according to the art. 2067.1.6 and 2063 shall be submitted to the national office.
- 2067.2.3 A Jury may only accept a protest if it is based upon physical evidence.
- 2067.2.4 A Jury is only permitted to re-evaluation its previous opinions where new physical evidence exists that relates to the original jury opinion.
- 2067.2.5 All Jury decisions are final, except those that may be protested or appealable under the rules contained herein.
- 2067.3 Protest Deadlines
 - 2067.3.1 Against the admittance of a competitor, shall be submitted before the start order for the first run is determined.
 - 2067.3.2 Against the course or its condition, shall be submitted not later than 60 minutes before the beginning of the competition.
 - 2067.3.3 Against another competitor or competitor's equipment or against an official because of irregular behavior during the competition, shall be submitted within 15 minutes after the last competitor has passed the finish. For SBX Finals and PGS Finals before the next heat begins.
 - 2067.3.4 Against disqualification because of an irregular execution of the competition, shall be submitted within 15 minutes after the posting of the disqualification.
 - 2067.3.5 Against the timekeeping, shall be submitted within 15 minutes after the posting of the unofficial result list.
 - 2067.3.6 Against all other decisions of the Jury, immediately and no later than 15 minutes after the posting of the disqualification.
 - 2067.3.7 Protests concerning false calculations or clerical errors shall be considered, if sent by registered letter to the national office, at any time within one month of the date of competition. If a mistake is found, a corrected result list shall be published and the prizes redistributed.
- 2067.4 Forms of Protests
 - 2067.4.1 Protests shall be submitted in writing, except for protests according to the art. 2067.3.3, 2067.3.4 and 2067.3.5, which may be made verbally (art. 2067.3).
 - 2067.4.2 Protests must be substantiated in detail. Proof must be submitted and evidence must be included.
 - 2067.4.3 For national level events, \$100.00 must be deposited with the protest. This deposit will be returned if the protest is upheld; otherwise it goes to the organizer.
 - 2067.4.4 The protesting party may withdraw a protest before the Jury decision is made public. In this case, the deposit must be returned. However, withdrawing the protest is no longer possible when the Jury or a member of the Jury makes an intermediate decision.
 - 2067.4.5 Protests not submitted on time or submitted without the protest deposit shall not be considered.
- 2067.5 Authorization
 - Only coaches, team captains and competitors are authorized to submit protests.
- 2067.6 Settlement of Protests by the Jury

- 2067.6.1 The Jury meets to settle protests at a predetermined place and time.
- 2067.6.1.1 For protests dealing with gate passage, the gate judge and, if needed, also the gate judge of the adjacent gate combinations or other involved officials, the competitor in question and the protesting team captain or coach are invited to attend the Jury meeting. Any additional evidence such as videotape, photos or films should be checked by the Jury.
- 2067.6.2 Only the Jury members are to be present for the vote. The TD chairs the proceedings. Minutes of the proceedings are to be kept and signed by the TD.
- 2067.6.3 Any decision requires a majority of all voting members of the Jury, not just of those present. In case of a tie, the TD's vote is decisive.
- 2067.6.4 The rules on which decisions are based shall be applied and interpreted in such a way that the integrity of the competition is guaranteed.
- 2067.6.5 The decision is to be made public immediately after the proceedings by posting on the official notice board with the posting time stated.

2068 Appeals

Appeals against the decision of the Jury and protests against the decision of the TD (art. 2067.1) for cancellation, interruption, or termination of a competition, shall be made to the national office within 24 hours of the announcement of the decision in question.

2068.1 Right of Appeal

An appeal can be made

- against the decisions of the Jury,
- against the decision of the Jury to terminate a competition,
- against the official results.

2068.2 All appeals must be submitted to the national office. Detailed instructions on submitting jury appeals are provided in U.S. Ski & Snowboard bylaws.

2068.3 Appeals against Jury decisions are to be submitted within 24 hours after their publication. Appeals against official results are to be submitted within 30 days.

2068.4 Appeals are decided by the national appeals committee.

2068.5 Evidence must be submitted in writing with substantiating proof. The national appeals committee must decline evidence submitted too late.

2070 Gate Judges (alpine events)

2070.1 Responsibilities

2070.1.1 Gate judges observe the passage of competitors through the gates. Each gate judge must have a thorough knowledge of the competition rules.

2070.1.2 The gate judge's decision must be clear and nonpartisan. His/Her conduct must be calm, watchful and prudent. In case of a doubt, the gate judge should give the competitor the benefit of doubt.

2070.1.3 The gate judge must declare a fault only when he/she is convinced that a fault has been committed. In case of a protest, he/she must be able to explain clearly and definitively how the fault was committed.

2070.1.4 If the gate judge is in doubt whether a fault has occurred, he/she must make a careful investigation. He/She can consult the adjacent gate judge in order to confirm his/her notes. He/She can even demand, via a member of the Jury, that the race be briefly interrupted so he/she may check the tracks on the course.

2070.1.5 The opinions of the public cannot be allowed to influence the gate judges' judgment. Likewise, they may not accept the opinions of witnesses, even though they may be experienced ones.

2070.1.6 The responsibility of the gate judge begins with the competitor approaching the

- first gate they control and ends when the competitor has passed through the last gate under their jurisdiction.
- 2070.1.7 It can happen, despite close observation, a competent gate judge does not recognize a fault committed by a competitor or judges a fault in error. When an adjacent gate judge or a member of the Jury makes a report concerning a competitor which differs from the notes of the gate judge in question, the Jury will freely interpret these notes in view of a possible disqualification of a competitor or of a decision concerning a protest.
- 2070.2 Responsibility to the Competitor
- 2070.2.1 A competitor, in case of an error or a fall, can turn to the gate judge and question him or her. The gate judge must inform the competitor if he/she has committed a fault that would lead to disqualification. With a clear, decisive voice, the gate judge answers the competitor's question with one of the following words:
- “Go!” if the competitor should expect no disqualification, since the gate judge has ruled the gate passage as correct;
 - “Back!” if the competitor may expect disqualification.
- 2070.2.2 The competitor is fully responsible for his/her action and, in this respect, cannot hold the gate judge liable.
- 2070.3 Immediate Announcement of Disqualifying Faults
- 2070.3.1 Particularly in SL the gate judge can immediately signal a disqualifying fault.
- 2070.3.2 The immediate indication of a disqualifying fault can be made in the following ways:
- in good visibility, by raising a flag of a particular color,
 - in bad visibility or fog, by a sound signal,
 - by other means, as provided by the organizers.
- 2070.3.3 Immediate announcement does not relieve the gate judge from recording the fault on his/her gate card.
- 2070.3.4 The gate judge is required to give information to the Jury members on request.
- 2070.4 Duties of the Gate Judge after Each Run
- 2070.4.1 In accordance with the instructions given by the Jury, the Chief Gate Judge (or assistant gate judge) collects all the gate cards and then passes them on to the Referee.
- 2070.4.2 At the conclusion of the first run, the Chief Gate Judge distributes the gate cards for the second run.
- 2070.5 Duties of the Gate Judge after the Competition
- 2070.5.1 Each gate judge who has recorded a disqualifying fault or who has been witness to an incident leading to a rerun must be available to the Jury until after the settlement of any protests.
- 2070.5.2 It is the responsibility of the TD to dismiss a gate judge who is waiting to be called by the Jury.
- 2070.6 Additional Duties of the Gate Judge
- 2070.6.1 After completing the gate card, the gate judge must shift immediately to other duties.
- 2070.6.1.1 Replace gate poles vertically (a leaning pole can aid or hinder a competitor).
- 2070.6.1.2 Replace knocked out poles in their exact positions; the position is marked by the dye in the snow.
- 2070.6.1.3 Replace, if possible, torn or missing flags or banners.
- 2070.6.1.4 Replace broken gate poles according to color (blue or red); the pieces of broken

poles must be stored in a way that will not endanger competitors or spectators.

- 2070.6.1.5 Maintain and repair their section of the course.
- 2070.6.1.6 Keep the course clear.
- 2070.6.1.7 Remove any markings made on the course by competitor or third parties.
- 2070.6.1.8 If no control personnel have been designated for their section of the course, the gate judge must take care that all persons (spectators, photographers, other competitors, etc.) maintain sufficient distance from the course, so the competitor is not hindered in any way during their run.
- 2070.6.1.9 The gate judge, in accordance with orders from the Jury, must direct accredited persons to the most favorable places where they can do their work without hindering the competitors.
- 2070.6.1.10 The gate judge must watch that the instructions issued by the Jury are adhered to (training opportunities, approved kinds of training, inspections, time schedules, etc.).
- 2070.6.1.11 If a competitor is hindered during their run, they must immediately leave the course and report to the nearest gate judge. The gate judge must enter the circumstances of the incident on his/her gate card and have this available for the Jury at the end of the run. The gate judge must request the competitor in question to report immediately to the Referee or another Jury member.
- 2070.7 Location of the Gate Judge
 - 2070.7.1 The gate judge must choose an isolated location. He/She must be placed so they can properly observe the terrain, gates and the course sections that he/she oversees. The gate judge should be near enough to be able to take prompt action, but distant enough not to hinder the competitor. The gate poles and gates must be clearly visible to the gate judge at all times.
 - 2070.7.2 The organizers are obligated to outfit the gate judges so that they are readily identifiable. Clothing should not be the same color as the gate flags.
- 2070.8 Number of Gate Judges
 - 2070.8.1 The organizer is responsible for having a sufficient number of competent gate judges available. They may have them assembled, if necessary, for final instructions in the presence of the Chief Gate Judge. If needed, the TD can participate in this session.
 - 2070.8.2 The organizer must inform the Jury of the number of gate judges available for training and the competition.
- 2070.9 Support and Equipment for the Gate Judges
 - 2070.9.1 The organizers should supply a number of replacement gate judges to replace gate judges during a competition (or for the second run) should there appear to be a need.
 - 2070.9.2 The organizer must provide the gate judges with some form of nourishment at their positions.
 - 2070.9.3 At particularly difficult places where poles are often knocked down or broken, it is advisable that an assistant be assigned to help the gate judge.
 - 2070.9.4 The equipment necessary for the proper fulfillment of the gate judge's functions must be anticipated and put at his/her disposal. In particular:
 - a plastic cover for the gate card to protect it against snow and water.
 - a pencil, if possible attached to the cover by a string, and a spare pencil.
 - a few sheets of blank paper to note any incidents.
 - the necessary tools to work on keeping the course in proper condition: shovel, rake, crow bar, drill, wedges, etc.
 - enough replacement poles of the right colors. These replacement poles must not

confuse the competitors. They must be placed far enough away from the course, on the gate judge's side, planted obliquely in the snow, pointed ends down so as not to be dangerous and, if possible, with a banner or flag already attached.

2070.10 Gate Cards

2070.10.1 Every gate judge receives a check card with the following notations:

- name of the gate judge,
- number(s) of the gate(s),
- designation of the run (1st or 2nd).

2070.10.2 If a competitor does not pass a gate correctly according to art. 2008.11, the gate judge must mark the following on the gate card:

- the bib number of the competitor,
- the gate number where the fault was made,
- the letter "F" (fault),
- a drawing of the fault committed (sketch map is absolutely required).

2070.10.3 The gate judge must also watch that the competitor accepts no outside help (in the case of a fall). A fault of this nature must likewise be entered on the check card.

2070.11 Gate Passage

2070.11.1 A gate has been passed correctly when the competitor has at least the front foot fixed in the binding on the board and the entire board crosses the gate line. In case of a fall, the competitor must pass through the turning line.

2070.11.2 The gate line in SL, PSL, GS, SG and SBX is the extension of the line past the turning pole which connects the points at the base of the banner.

2070.11.2.1 In SL and PSL, the turning pole determines the gate line; in GS the small inside pole determines the gate line.

2070.11.3 In the event a competitor removes a pole from its vertical position before both feet have passed the gate line, both feet must still pass the original gate line (marking in the snow).

2070.11.4 A competitor is allowed to hike to avoid missing a gate, provided at least their front foot remains attached to the board and both feet are attached to the board before continuing down the course.

2070.12 Right to Continue after a Gate Fault

If a competitor misses a gate, they no longer have the right to pass through further gates and must immediately exit the course and not cross the finish line. If they fail to comply, they can be penalized according to the art. 2065. Before imposing a penalty, it must be determined whether the competitor was aware of his fault.

2070.12.1 It must be supposed that the competitor was aware of the fault if he/she passed two or more gates incorrectly and obviously deviated from one of the possible correct passages.

2100 Rules Specific to Slalom (SL)

2101 Technical Data

2101.1 Vertical Drop

2101.1.1 SL courses must be a minimum of 120 m and a maximum of 180 m vertical drop. The same course may be used for men and women.

2101.2 Length

2101.2.1 The course should have a length on the ground of a minimum of 400 m and a maximum of 600 m. The length of the course must be measured with a measuring tape, wheel or GPS, and has to be published on the start list and the results.

2101.3 Course Width

2101.3.1 SL courses must be at least 30 m wide, if two runs are set on the same slope. In special cases, the Jury can authorize exceptions for short parts of the course. If the second run is reset on the first track, the minimum width is 20 m.

2101.3.2 Finish Width

The finish must be no less than 8 m wide. In exceptional cases, the Jury can only decrease this distance for technical reasons or because of the terrain. The width of the finish is considered to be the distance between the two finish posts of the banners.

2101.4 Slalom Gate Description

2101.4.1 Slalom Gates

A SL gate consists of one stubby flex pole (turning pole) and one long SL flex pole (outside pole) which are connected with a triangular gate flag placed at the bottom of the gate at snow level. Consecutive gates must alternate red and blue.

2101.4.2 The distance between offset turning poles must be between 8-15 m. The distance between turning poles in a combination must be between 6-8 m.

- At least one triple or quadruple and at least three double combinations must be included

- Banana gates cannot be set in SL

2101.4.3 Number of Gates

Minimum: 35

Maximum: 55

2102 Slalom Course Description

2102.1 The ideal SL course, taking into consideration the drop and the gradient specified above, must include a series of turns designed to allow the competitors to combine maximum speed with precise turns. The course should be symmetric and not favor goofy or regular competitors.

2102.2 The SL course should permit the rapid completion of all turns. It should be a technically clever composition of figures suited to the terrain, allowing a fluent run, but testing the widest variety of snowboard techniques, including changes of direction with very different radii. Gates should be set so that some full turns are required, interspersed with traverses.

2102.3 Preparation of the Course

SL competitions must be raced on a hard prepared snow surface. If snow falls during the race the Chief of Course must ensure that it is packed or, if possible, removed from the course.

2103 Course Setting

2103.1 Inspection of the SL Slope

This inspection must be carried out by the Course Setter before they sets the course. The SL should correspond to the average ability of the first 30 competitors.

2103.3 Setting

2103.3.1 As SL must contain horizontal (open) and vertical (closed) gates as well as a minimum of one and a minimum of three vertical combinations consisting of three to four gates (triple/quadruple) and at least three hairpin (double) combinations.

2103.1.1 No Bananas (delays) are allowed in SL.

2103.2 The following principles should be applied when setting a SL course:

2103.2.1 Difficulty should reflect the average ability of the first 30 competitors.

2103.2.2 Avoid a monotonous series of standard gate combinations.

- 2103.2.3 Gates that encourage sudden or sharp braking should be avoided, as they spoil the fluency of the run without increasing the difficulty of a SL course.
- 2103.2.4 It is advisable before difficult gate combinations, to set at least one gate that allows the competitor to snowboard through the difficult combination under control.
- 2103.2.5 It is not advisable to set difficult figures at the beginning or end of a course. The last gates should be rather fast, so that the competitor passes the finish at a good speed.
- 2103.2.6 The last gate should not be too near to the finish, to avoid risk to competitors and timekeepers; it should direct competitors to the middle of the finish line. If the width of the slope necessitates, the last gate can be common to both courses, provided the prescribed alternation of blue and red gates is maintained.
- 2103.2.7 Slalom poles should be properly secured by the Chief of Course or designated assistants immediately after they have been set, so that the course setter can supervise the operation.

2103.4 Checking the SL Course

The Jury must check that the course is ready for inspection and/or competition once the course setter has set it, paying special attention that:

- The slalom poles are firmly rammed in.
- The gates are in the right color order.
- The position of the poles is marked.
- The numbers are in the right order on the outside poles.
- The poles are high enough above the snow.
- The two SL courses are far enough from each other to avoid misleading the competitors.
- The fencing of each course is far enough from the slalom poles.
- Obstacles at the edge of the course are either removed or neutralized.
- The last gate before the finish directs the competitors to the middle of the finish.
- The reserve poles are correctly placed not to mislead the competitors.
- Start and finish are in accordance with art. 2022 and art. 2025.

2104 Competitor Inspection

- 2104.1 The course must be in perfect condition from the time the competitors' inspection starts until it ends. The Jury decides the method of the inspection.
- 2104.2 Course workers must not disturb competitors during the inspection.
- 2104.3 Competitors must wear their bibs during inspection.
- 2104.4 Competitors may not descend down the prepared course or through the gates.
- 2104.5 Competitors are not permitted to enter the course without being attached to their board.
- 2104.6 Competitors are not allowed to "shadow" the course.

2105 The Start

2105.1 Start Intervals

The SL start takes place at irregular intervals. The Chief of Timing and Calculations or his/her assistant tells the starter when each competitor should start. The competitor on course need not cross the finish before the next competitor starts.

2105.2 Start Order

2105.2.1 First Run

For all alpine snowboard competition the start is based strictly off the snowboard ranking list, the start order is as follows:

- 1) "Youth" competitors will start first.
- 2) The first seed will start next. The order within the first seed will be decided by

random draw.

Field Size	First Seed Size
------------	-----------------

50 or more	15
------------	----

less than 50	at a natural break in the rankings, but no more than 10.
--------------	--

3) The remaining competitors with national points will run in ascending order (highest to lowest), according to their points as published on the latest snowboard ranking list.

4) Competitors with 0 (zero) national points will be randomly sorted and run at the end of the field, per sex, regardless of age.

2105.2.2 Second Run

Field Size	First Seed Size
------------	-----------------

50 or more	Top 15 from the first run, in reverse order.
------------	--

	Remainder of the field, in order of first run times.
--	--

less than 50	number of seed from first run in reverse order.
--------------	---

	Remainder of the field, in order of first run times.
--	--

2105.3 Start Signal

As soon as the starter has received the order for the next start, they shall give the competitor the warning, "Ready"; a few seconds later the start signal, "Go!" The competitor must start within 10 seconds of this order.

2105.4 Checking the SL Course

The Jury must check that the course is ready for inspection and / or competition once the course setter has set it, paying special attention that:

- The slalom poles are firmly rammed in.
- The gates are in the right color order.
- The position of the poles is marked.
- The numbers are in the right order on the outside poles.
- The poles are high enough above the snow.
- The two SL courses are far enough from each other to avoid misleading the competitors.
- The fencing of each course is far enough from the slalom poles.
- Obstacles at the edge of the course are either removed or neutralized.
- The last gate before the finish directs the competitors to the middle of the finish.
- The reserve poles are correctly placed not to mislead the competitors.
- Start and finish are in accordance with art. 2022 and art. 2025.

2106 Execution of the Slalom

2106.1 Two Runs

SL must always be decided by two runs on two different courses. Both courses must be used one after the other, in the order decided by the Jury. Division of the competitors into two groups starting simultaneously on both courses is not allowed. Whenever possible, both runs should be held on the same day.

2106.2 Limitations in the Second Run

The competition committee has the right to reduce the number of competitors in the second run to half, provided that notice was given on the invitation, at the team captains' meeting or on the official notice board, before the race started.

2107 Competition Clothing and Helmets

Competition suits must be two pieces – pants and separate top. Form fitting speed or downhill suits are not permitted. Non protruding body protection and padding is recommended.

Protective equipment i.e. back protection must be worn on the body. No straps, fastening devices or other methods can be used to tighten the suit material closer to the body. Shin guards are excluded from this rule.

Helmets manufactured for ski racing are required for all competitors. See art. 2052.5.

2200 Rules Specific to Giant Slalom (GS)

2201 Technical Data

2201.1 Vertical Drop

2201.1 GS courses must be 200-400 m in length. The same course may be used for men and women.

2201.2 Length

2201.2.1 The length of the course must be measured with a measuring tape, wheel or GPS.

2201.3 Course Width

2201.3.1 GS courses must be at least 30 m wide. If two runs are set on the same slope (ladies and men) the course must be at least 40 m wide. In special cases, the Jury can authorize exceptions.

2201.3.2 Finish Width

The finish width must be no less than 10 m wide. In exceptional cases, the TD can only decrease this distance for technical reasons or because of the terrain. The width of the finish is considered to be the distance between the two finish posts of banners.

2201.4 GS Gate Description

(see Course Standards section)

2201.4.1 GS Gates

A GS gate consists of two poles; one rigid outside pole (art. 2058.5.1.2) and one stubby turning pole (art. 2058.5.1). Triangular banners for GS shall measure 130 cm base side, 110 cm long side and 10-20 cm short side.

The triangular gate flags have to be placed at right angles (90°) to the fall line at the bottom of the gate. The triangular gate flags are to be fastened at the bottom of the gate.

2203.2 Consecutive gates must alternate red and blue except in the case of double gates (banana/delay) when there shall be two gates of the same color.

2201.4.2 The distance between the nearest poles of two successive gates must not be less than 10 m. The gates must be set so that the competitors can distinguish them clearly and quickly even at high speed. The flags of a gate should be set at right angles to the racing line.

2201.4.3 Number of Gates

It is recommended to set with a distance of between 20-27 m between turning gates in GS (Exception: banana gates). The result list should show the number of turns and number of gates. Example: 25 (turns) / 30 (gates).

2202 Giant Slalom Course Description

2202.1 The terrain should preferably be undulating and hilly.

2202.2 The course must be as flat as possible from one side to the other. The snow must be compact and as hard as possible. The use of artificial means is permitted (salt, water, etc.). In places where competitors may be in danger, the competition committee must install safety measures (hay bales, padding, nets, etc.).

2203 Course Setting

2203.1 The following principles should be applied when setting a GS course:

2203.1.1 The first run should be set the day before the race. Both runs can be set on the same

course but the second run must be reset.

2203.1.2 Skillful use of the ground, when setting a GS is even more important than for slalom, since figures play a less important role in GS. It is therefore better to set mainly single gates, while exploiting the ground to the utmost. Figures can be set, but mostly on flat terrain.

2203.1.3 A GS should present a variety of long, medium and short turns.

The competitor should be free to choose his/her own line between the gates, which must not be set down the fall line of the slope. The full width of a hill should be used wherever possible. The course should be symmetric and not to favor goofy or regular competitors.

2204 Competitor Inspection

The course will remain closed for training on the day of competition. The course and gates must be in final condition at least one hour before the start of competition inspection.

The competitors are allowed to study the course after its final setting, by slowly sliding down alongside the course or side slipping through the course as directed by the Jury. Boarding through gates, or practicing turns parallel with those required by gates on the course, will lead to sanctions or disqualification. Competitors must carry visible their start numbers.

Competitors are not allowed to touch (hold) the gates during inspection.

First offence is a warning sanction, second offence can include a disqualification or sanction.

2204.2 It is absolutely essential to have a prepared practice (warm-up) slope near the competition venue.

2205 The Start

2205.1 Start area

Push off posts will be installed on the starting installation for all competitions. The specifications will adjusted to the needs of the specific events.

2205.2 Start Order

2205.2.1 First Run

For all alpine snowboard competitions, the start is based strictly off the snowboard ranking list; the start order is as follows:

1) "Youth" competitors will start first.

2) The first seed will start next. The order within the first seed will be decided by random draw.

Field Size	First Seed Size
------------	-----------------

50	15
----	----

less than 50	At natural break in ranking, but not more than 10
--------------	---

3) The remaining competitors with national points will run in ascending order (highest to lowest), according to their points as published on the latest snowboard ranking list.

4) Competitors with 0 (zero) points will be randomly sorted and run at the end of the field, per sex, regardless of age.

2205.2.2 Second Run

Field Size	First Seed Size
------------	-----------------

50 or more	Top 15 from the first run, in reverse order.
------------	--

	Remainder of the field, in order of first run times.
--	--

less than 50	Number of seed from first run in reverse order.
--------------	---

Remainder of the field, in order of first run times.

2205.2.3 Start Signal

Ten seconds before the start, the starter will tell each competitor, “ten seconds”. Five seconds before the start, the starter will count, “5, 4, 3, 2, 1”, then give the command, “Go!”

2206 Execution of the Giant Slalom

2206.1 Two Runs

A GS must always be decided by two runs. The second run may be held on the same course, but the gates must be reset. Whenever possible, both runs should be held on the same day.

2207 Competition Clothing and Helmets

Competition suits must be two pieces – pants and separate top. Form fitting speed or downhill suits are not permitted. Non protruding body protection and padding is recommended.

Protective equipment i.e. back protection must be worn on the body. No straps, fastening devices or other methods can be used to tighten the suit material closer to the body. Shin guards are excluded from this rule.

Helmets manufactured for ski racing are required for all competitors. See art. 2052.5.

2500 Rules Specific to Parallel Events

2501 Definition

The parallel is a competition where two competitors snowboard simultaneously side by side down two parallel courses. The setting of the courses, the configuration of the ground and the preparation of the snow are to be as identical as possible.

2502 Technical Data

2502.1 Technical Data Parallel Slalom

For Parallel Slalom (PSL) the vertical drop of the course must be between 80-120 m with a minimum of 18 gates. It is recommended to set around 25 gates in PSL with a horizontal distance (turning pole to turning pole) of between 10-14 m.

The course should have a length on the ground of a minimum of 250 m and a maximum of 450 m – recommended length is approximately 350 m. In general the courses should be between 17° to 22° in average steepness for PSL and a minimum width of 30 m.

2502.2 Technical Data Parallel Giant Slalom

For Parallel Giant Slalom (PGS) the vertical drop of the course must be between 120-200 m with a minimum of 18 gates. It is recommended to set around 25 gates in PGS with a horizontal distance (turning pole to turning pole) of between 20-27 m. The course should have a length on the ground of a minimum of 400 m and a maximum of 700 m – recommended length is approximately 550 m. In general the courses should have the same variety of terrain like a GS and with a minimum width 40 m.

2502.3 Gates

2502.3.1 A PSL/PGS gate consists of one stubby flex pole (turning pole) and one long slalom pole (outside pole) which are connected with a triangular gate flag (see also art. 2085 and 2089).

2502.3.2 The distance between the nearest poles of two successive gates (banana gates only in PGS) must not be less than 10 m and set with the same color gates and flags. The gates must be set so that the competitors can distinguish them clearly and quickly

even at high speed. The banner of a gate should be set at right angles to the racing line.

- 2502.3.3 The triangular gate flags have to be placed at right angles (90°) to the fall line at the bottom of the gate. The triangular gate flags are to be fastened at the bottom of the gate.

2503 Parallel Course Description

- 2503.1 Choose a slope wide enough for two courses, preferably slightly concave. The terrain variations must be the same across the surface of the slope. The course must have the same profile and the same difficulties.
- 2503.2 Over the full width of the chosen slope, the snow must be consistent, so it is possible to offer equal conditions on both courses.
- 2503.3 The courses must be entirely closed off by barriers. It is recommended to fence off reserved places intended for trainers, competitors and servicemen.
- 2503.4 The course must be next to a lift to ensure the races are run efficiently.

2504 The Courses

- 2504.1 When the two courses are set, the left course (looking from the top) will be set with red poles and red triangular gate flags and the right course (looking from the top) will be set with blue poles and blue triangular gate flags.
- 2504.2 The same course setter establishes the courses and makes sure they are identical and parallel. He must ensure that the course flow is smooth and that there is variety in the curves (very pronounced curves) and that the course causes rhythm changes. In no case should this event resemble a long straight run from top to bottom. It is permitted to set double and triple combinations.

The recommended number of gates is 23-30 for PSL and 18-25 for PGS.

- 2504.3 Shortly before the finish line, after the last gate, the separation between the two tracks must be well defined so that they direct each competitor towards the finish line. The course setter must place the last gate in such a manner that the competitors are guided towards the center of each finish line.

- 2504.4 Distance between the two Courses

The equidistance between two corresponding course markers (from turning pole to turning pole) must be for: PSL 8-10 m, PGS 9-12 m.

The first gate (red and blue course) should be set the same distance apart as the start gates.

2505 The Start

- 2505.1 Start Ramp

The Start Ramp shall be prepared in such a way that the competitors can stand relaxed on the starting line and can quickly reach full speed after leaving the start. Push off posts will be installed on the starting installation for all events. The specifications will adjusted to the needs of the specific events.

- 2505.2 Start Gates

Two different procedures to start with different start gates are possible:

- Simultaneously - the gates have to open simultaneously for both runs and a competitor must not be able to push the gates open.
- Delayed - the gates have to open simultaneously in the first run. In the second run the start gates open with the time difference of the first run. Competitor must not be able to push the gates open.

- 2505.3 False Starts

Disqualification will take place:

- If a competitor manipulates the starting gates

- If a competitor is trying to pass the starting gates before the final starting signal has been given (audible and/or visible).

2505.4 Malfunction of the start gate

If one or both starting machine gates have clearly been blocked because of technical malfunction, without the competitor touching the gate before the starting signal was given, the start must be repeated.

2505.5 Start command

Before the starter gives the command – “Go” or a single audible signal, he must first ensure that the competitors are ready by asking: “red course ready, blue course ready, attention”.

“Riders ready” only can be used in connection with an audible command (series of short beeps followed by one louder starting beep when doors open).

2506 The Finish

2506.1 The finish areas must be symmetrical. The line of the finish must be parallel with the line of the starts (see also art. 2025).

2506.2 Each finish line is marked by two poles connected by a banner which form the finish. Each of these must be at least 8 m wide. The finish lines are separated by a post or vertical banner with a maximum width of approximate one meter.

2506.3 It is necessary to set up visually separate finish approaches and exits.

2507 Course Setting

2507.1 Course Setters

The course setter is designated by the Jury of the competition (if he is not chosen by the FIS). Before setting the course, he must conduct an inspection and study of the course in the presence of the Jury and those responsible for the course (the chief of competition and the chief of course).

2507.2 Setting

- Gates, which impose on competitors a sudden sharp braking action, should be avoided, as they spoil the fluid aspect of the run without increasing the difficulties of a modern course.

- It is advisable before difficult combinations of gates to set at least one gate which allows the competitor to ride through the difficult combination under control.

- It is not advisable to set difficult figures either right at the beginning or end of the course. The last gates should be rather fast, so that the competitor passes the finish at a direct good speed.

- The last gate should not be too near to the finish to avoid danger to competitors and timekeepers. The last gate should direct competitors to the middle of the finish line.

- The slalom poles should be drilled or rammed in by the Chief of Course or his assistants immediately after they have been set, so that the course setter can supervise the operation.

2507.3 Checking the Courses

The Jury must check that the course is ready for racing once the course setter has set it, paying special attention that:

- that all poles are firmly rammed in,
- the gates are in the right color order,
- the position of the poles is marked,
- the numbers are in the right order on the outside poles,
- the poles are high enough above the snow,
- the gate flags are properly fixed,

- the security fencing and other security installations are acceptable,
- the last gate before the finish directs the competitors to the middle of the finish,
- the reserve poles are correctly placed not to mislead the competitors.

2508 Timing

2508.1 Qualification

The running time of each competitor will be registered with two independently homologated timing systems (see also art. 2020.2, art. 2020.3).

2508.2 Finals

As the start is simultaneous, only the difference in time between the competitors at the finish will be registered with two independent homologated timing systems. The first competitor that breaks one of the signals starts the chronometer and receives the time “zero”, the following competitor (2nd) stops successively the clocks (chronometers) and receives the time difference in 1/100 seconds to the first competitor.

2509 Execution of Parallel Events

2509.1 Qualification formats for the Parallel Final

2509.1.1 Separate qualifying run

2509.1.1.1 One Run Qualifying

A separate qualifying run has to be set. This run must be similar to the Parallel courses, (i.e. number of gates, fall line, inclination). All competitors get one run on this course. The top 16 men and women, in cases where there are less than 50 competitors only 8, will take part in the parallel finals. If time allows, the jury may permit 16 men and women to compete in the finals. This must be announced a minimum of one hour before the start of qualifications.

2509.1.1.2 Two runs Qualifying

A separate qualifying run will be set (one course for ladies one for men – dependent upon the number of competitors the Jury may decide to utilize only one course). This run must be similar to the Parallel courses, i.e. number of gates, fall line, and inclination. All competitors get one run on this course – the top 8 timed ladies and 8 men are qualified directly to the finals. Places 9-24 for the ladies and places 9-32 for the men have a second run on the same course but in reverse start order (place 9 starts first, place 24/32 starts last). Again the top 8 ladies and 8 men (only by the time from the second run) are qualified for the finals.

2509.1.1.3 Tie-Breaking in separate Qualification

In case of a tie for place 8 in the first qualifying run or place 16 in the second qualifying run there shall be another run for each of the competitors involved on the qualification course. This run will take place immediately after the qualifications. The start order will be drawn at the start.

2509.1.2 Parallel Qualifying run

2509.1.2.1 Parallel Qualifying System

The course is set parallel from the beginning. These courses are the same or similar to the parallel finals courses.

This Qualification system consists of two runs:

Qualification run (1st run):

In the Qualification run, all competitors are sorted according to their FIS points ranking (except a random draw for the top 16). Each competitor has one time run – odd numbers (1, 3, 5,...) on red course, even numbers (2, 4, 6,...) on blue course.

The top 16 ranked ladies and men on the red and the top 16 ranked ladies and men on blue course (32 ladies and 32 men) advance to the Elimination round.

Elimination run (2nd run - 32 ladies and 32 men):

Course exchange: The top 16 ladies and men from the red course qualification run on the blue course. The top 16 ladies and men from the blue course qualification run on the red course. Run 1 from the qualification and run 2 from the Elimination will be added together (“one red run and one blue run”). The top timed 16 athletes per gender advances to the finals.

Ranking:

The competitors who participate in both qualification and elimination run will be ranked according to their total time of two runs. The remaining competitors will be ranked according to their results of the first qualification run.

2509.1.2.2 Tie-Breaking in Qualification

If two or more competitors with two qualification runs are tied, the ties will be broken by the best run of two. If they are still tied the tie will be broken using the highest current national points. If they are still tied all will receive the same rank but the competitor with the higher bib number will be ordered first. The exception is if they are tied for the 16th place (see 2509.1.2.3)

2509.1.2.3 Tie-Breaking for place 16th

In case of a tie for place 16 there shall be another run for each of the competitors involved on the red course (same course for both). This run will take place immediately after the qualifications. The start order will be drawn at the start.

2509.1.3 Start Order

For all alpine snowboard competitions, the start is based strictly off the snowboard ranking list; the start order is as follows:

- 1) “Youth” competitors will start first.
- 2) The first seed will start next. The order within the first seed will be decided by random draw.

Field Size	First Seed Size
50 or more	16
less than 50	8

3) The remaining competitors with national points will run in ascending order (highest to lowest), according to their points as published on the latest snowboard ranking list.

4) Competitors with 0 (zero) national points will be randomly sorted and run at the end of the field, per sex, regardless of age.

2509.2 Parallel - Finals

2509.2.1 8 respective 4 pairs are formed as follows using the results from the Qualifications.

Groups	16 Finalists	8 Finalists
	Place 1 - Place 16	Place 1 - Place 8
	Place 8 - Place 9	Place 4 - Place 5
	Place 5 - Place 12	Place 3 - Place 6
	Place 4 - Place 13	Place 2 - Place 7
	Place 3 - Place 14	
	Place 6 - Place 11	
	Place 7 - Place 10	
	Place 2 - Place 15	

2509.2.2 Each pair of competitors has to make two runs. The competitors change courses for the second run. A competitor, who does not finish or is disqualified in the first run, starts the second run with a 4% (max 1.5 sec) penalty (see 2512).

- 2509.2.3 For each pair the competitor which is listed on top of the pairing will do his first run on the red course.
- 2509.2.4 Start Order (16 men, 8 women)
Following the order in the table, from the top to bottom, all groups race in succession. For the second run the competitors change course. The same system is used for all elimination rounds.
- 2509.2.5 Place 5 to 8 and 9 to 16 are determined by the times of the qualification run (runs). In any case a competitor who has qualified for a certain group will remain in this group even if his qualification time was slower than one or more of the qualification times for competitors eliminated in a lower group. i.e., once qualified for top 8 will remain in the top 8.
- 2509.2.6 This process continues according to the ladder until a winner emerges.
- 2509.2.7 Semi-finals and Final
- 2509.2.8 The four remaining competitors start according the rounds 7 - 18.
- 2509.2.9 The losers of the elimination rounds 7 - 10 race their first run for the 3rd and 4th positions before the finalists race their first run, then the losers of the third elimination round run their second run and then the finalists run their final race.
- 2509.3 Inspection of the courses
- 2509.3.1 The competitors are allowed a minimum of 10 minutes to inspect the parallel courses (qualification and finals). The method of inspection is determined by the Jury. Competitors are not allowed to touch (hold) the gates during inspection. First offense will be a warning sanction; second offense may result in a disqualification sanction from the competition.

2510 Control of the Race

The gate Judges are situated on both exterior sides of the courses. Each gate judge may be supplied with a flag which corresponds to the color of the course they are controlling (either blue or red). This flag is to be used immediately to notify the Jury of a potential disqualification / sanction in his section of the course. An official (judge) appointed by the Jury may be located approximately half way down the course with a yellow flag where immediate judging of a gate judge's sanction / disqualification is done by raising the yellow flag in the direction of the course where the disqualification has been indicated. The raising of the yellow flag confirms the disqualification of the competitor

2511 Disqualifications / Sanctions

- 2511.1 Causes for disqualifications are the following:
- false start (art. 2505.3)
 - disturbing opponent, voluntarily or not
 - incorrect gate passage
 - turn not executed on the outside of a gate
 - not finishing the run with at least one foot fixed to the board.
- 2511.2 The competitor who is disqualified or does not finish the first run of a round will start in the second run with a penalty time.
- 2511.2.1 The competitor who is disqualified or does not finish / abandons in the second run is eliminated.
- 2511.2.2 In case both competitors do not finish, the competitor that passes the most gates:
first run: wins the first run
second run: advance to the next round

2512 Penalty Time

The penalty time will be calculated using the best time of the qualifications for

women and men. A 4% penalty of his time will be used in the parallel finals. In all cases the maximum time difference for the first run of each pairing can never be higher than the penalty time. i.e. the actual time difference is 3 seconds, the penalty time is 1.5 seconds, then the second run will be started with a handicap of 1.5 seconds for the losing competitor of the first round. If both competitors are tied after the second run by their respective penalty times, the competitor who wins the second run advances to the next round.

2600 Rules Specific to Halfpipe (HP)

2601 Technical Data

2601.1 Definition

The HP is a channel constructed in, or of, the snow.

2601.2 Specifications

Traditional Pipe	Minimum	Recommended	Maximum
Inclination	14°	16°	18°
Length (m)	100 m	120 m	140 m
Width (lip to lip)	14 m	16 m	18 m
Wall Height	3 m	3.5 m	4.5 m
Transition	3 m	4 m	5 m

Vertical max. 0.2 m @ 83°

Bottom Flat 5 m maximum

Drop in Area Flat to 2 m

Banner fence from wall 2 m

Outside fence from banners 0.5 m +

Oversized Pipe	Minimum	Recommended	Maximum
Inclination	14°	16°	18°
Length (m)	120 m	140 m	160 m
Width (lip to lip)	16 m	18 m	20 m
Wall Height	4.7 m	5.2 m	5.7 m
Transition	5.2 m	6.2 m	7.2 m

Inclination 14°

Length (m) 120 m

Width (lip to lip) 16 m

Wall Height 4.7 m

Transition 5.2 m

Vertical max. 0.2 m @ 83°

These measurements are given as recommendations and guidelines to aid in consistency.

2602 The Halfpipe Site

2602.1 The HP course must conform to specifications listed above.

2602.2 The HP course must be finished and ready for training at least two hours before the start of competition.

2602.3 The drop in area shall give the competitors the opportunity to enter the HP with speed and shall not be used to attempt a maneuver.

2602.4 The lips (tops of each wall) of the HP must be clearly marked with color.

2603 Competitor Training

2603.1 Competitors are not required to train.

2603.2 There shall be no specific start order during training.

2603.3 Training times will be communicated by the competition committee during the team captains' meeting.

2604 Execution of the Halfpipe

2604.1 Halfpipe Qualifications

- 2604.2 **Best of Two Runs**
A HP competition will be decided by giving the competitors two runs in which only the high score shall count towards final placing. For each run, the scores from all judges will be added together to give the total score for that run. Only the high score will count.
- 2604.3 The Head Judge shall communicate to the starter when the judges are ready for the next competitor.
- 2604.3.1 Once a competitor has started his run, he is not allowed to re-start. In extenuating circumstances, the Jury may grant a re-start.
- 2604.3.2 **Use of Heats in HP Competitions**
The use of heats in the HP qualification is recommended. Competitors can be run in heats of 20-30 when appropriate breaks occur in the formation of the start list. For example: a field of 60 men would be split into two groups, 30 men in each heat. They would be given a 30 minute practice and then take their two scored runs.
Heat 1, 30 men
Practice 30 minutes, then two scored runs, best score counts
Heat 2, 30 men
Practice 30 minutes, then two scored runs, best score counts
Heat 3, 25 men if needed
Practice 30 minutes, then two scored runs, best score counts
The heat format can be set up for 20-30 competitors and the practice sessions should be held before each heat only and only for those competitors. Practice times can be adjusted to fit schedule and number of athletes. The heat format allows competitors to complete their two runs in a short amount of time without a waiting factor; it also allows the judges to focus only at the heat in front of them.
- 2604.3.3 **Second Run**
The start order for the second run will be in the same start order as the first. When in heats, this takes place in the same heat right after the last competitor goes. If there is a final in the competition then the final competitors will start in reverse order from their qualifying scores.
- 2604.4 **Start Signal**
After the starter has received acknowledgment for the next competitor from the Head Judge, the starter will give the command, "Ready", "Go" to the competitor. The competitor may leave the start at any time after the command.
- 2605.1 **Best of Three Runs**
A HP competition will be decided by giving the competitors three runs in which only the high score shall count towards final placing. For each run, the scores from all judges will be added together to give the total score for that run. Only the high score will count. This system can be used for a standalone competition or can be used in a final format after a best of two runs qualification.
- 2605.2 **Modified Formats**
The qualifications format for a HP event may be modified, providing: the modified format is approved by the Jury (art. 2004).
Modified formats could include using a double-up judging panel, Jam formats and a Ranking system and could be used both in the qualification or finals. Please note that all modified formats are variations of heats and use either one judge team or the Double-up judge format.
- 2605.3 **Double-up Format**
Used for large numbers of competitors and use best of two runs.

Judge Panels for the Double-Up will consist of no fewer than (3) three judges on each of the (2) two panels. When using (3) judges the criteria for judging will be all (3) for overall impression.

A full panel of (4) four judges using the IJC Criteria on each panel is highly recommended. When four judges are used on the panels, overall impression will be used.

Heats will be run with a maximum of 30 competitors per heat, optimum is 20 competitors.

Training for heats will be one 30 minute session at start of each heat.

If there are finals they will run the same way with multiple runs (2 or 3) with best run counting towards the final ranking.

2606 Helmets

Helmets manufactured for ski sports are required for all competitors. See art. 2052.5.

2607 Judges' Stand

2607.1 The minimum size of the scaffolding area must be 8 m by 2 m. The judges' viewing area should be constructed to provide ample room for the appropriate number of judges and provide room for viewing and all proper amenities for the operation of the competition.

2607.2 The judges' area should be fenced or protected from competitors and spectators.

2607.3 No competitor, team representative or spectator may approach the judges' stand or speak with the judges during competition.

2608 Halfpipe Judging and Scoring

2608.1 Scoring

2608.1.1 Only maneuvers performed in the HP will be scored.

2608.1.2 Each judge shall use a ten point system. Judges will score by ones and tenths; 3.8, 6.7, 7.3 etc.

2608.1.3 The score card shall be used to record the score given by the judge

2608.1.4 A memory board shall be used by each judge to make all necessary notations depicting each competitor's run.

2608.1.5 If a competitor lands out of the HP, they have ten seconds to reenter before they are disqualified.

2608.1.6 Each competitor's scores must be posted after each run.

2608.2 Judging Format

2608.2.1 3-6 judges can be used at HP events

2608.3 Judging Criteria

Overall Impression (OI) – 5 Judges

The judges will score the run by evaluating overall precision, including the executing of the run and the routine attempted. The OI judge evaluated the precise nature of the run in relation to maneuvers attempted, both individually and as a sequence. The overall composition of the run is most important as the OI judge evaluates the sequences of tricks, the amount of risk in the routine, and the rider uses the pipe. The OI judges take falls and stops into consideration and will deduct based on deduction scale of the run/judge for each fall/stop.

2608.4 Tie-breaking

2608.4.1 Best of Two format

If two or more riders obtain the same score in the best run of two, the comparison of the two highest judges marks in the best run of two shall be determined the

winner. If they are still tied the highest three scores in the tied run shall determine the winner. If they are still tied, the best run of two, the score the other final run will determine the winner. They are still tied, then comparison of the two highest scores of the other final run will determine the winner. If they are still tied, then comparison of the two highest judges scores of the other final run will determine the winner. If they are still tied, the highest three judges scores of the other final run will determine the winner.

2700 Rules Specific to Snowboardcross (SBX)

2701 Technical Data

2701.1 Vertical Drop

2701.1.1 Courses for all SBX must have vertical drop of a minimum of 100 m and a maximum of 240 m. The same course may be used for men and women. Average slope inclination should be 15°-18°.

2701.2 Length / Inclination

2701.2.1 The length of the course must be measured with either a measuring tape, wheel or GPS and has to be published on the start list and the results. Recommended length on the ground of the course is approximately 500-900 m – with a running time of approximately 40 seconds to 70 seconds.

Average slope should be 14°-18° (emphasis on the lower slope angle is generally best considered).

2701.3 Width

2701.3.1 The SBX slope must be a minimum of 40 m wide. In special cases the inspector or Jury can authorize exceptions for short parts of the course.

2701.4 SBX Gate Description

2701.4.1 A SBX gate consists of one long slalom pole (art. 2058.5.1), one stubby pole (art. 2058.5.1.2) and one triangular banner (art. 2103.1, 2201.2)

2701.4.2 Consecutive gates must alternate in color except banana gates (which are considered to be one turn therefore one color) which must be the same color gates and flags.

2701.4.3 The gates must be set so that the competitors can distinguish them clearly and quickly even at high speeds. The banner of a gate should be set at right angles to the competition line.

2701.4.4 In certain circumstances competitors may be required to pass between two gates of the same colors (for example: corridors).

2702 Snowboardcross Course Description

2702.1 General Characteristics of the Courses

The slope should preferably be of a medium pitch (not flat/not steep-ideally 14°-18° in average) with varied terrain. A very important part of the course is from the start to the first bank / feature (Suggested minimum distance 25 m at approximately 13°-15° inclination). Included in this relatively flat area should be some features which will aid in separating the competitors before entering the first bank.

The ideal SBX slope will allow for the construction of all or some of the following terrain features:

Banks (crescent shaped), Double Banks, Single, Double, or Triple Jumps Rollers, Offset Rollers - (Single, double, triple, etc.), Step-up jumps, spines and double spines, Pro style jumps, Hip jumps, Table top jumps, Step-down jumps. Medium or long GS type turns can be included (but not generally recommended) only when building a feature is not possible.

Other terrain features can be built, but competitor security considerations must always be a priority. Gap jumps are not permitted under any circumstances and a SBX should not contain a corner jump at the last feature. The course and features should be designed so that competitors are attempting to gain speed and not having to break before each feature.

2702.2 Finish Width

The finish must be no less than 15 m wide. In exceptional cases, the TD can only decrease this distance for technical reasons or because of the terrain. The width of the finish is considered to be the distance between the two finish posts of banners.

2702.3 The ideal SBX course should be technically challenging, consisting of features suited to the terrain linked by gates to control speed but testing the widest variety of snowboard technique.

2702.4 It is recommended that gates not be set in the absence of a feature.

2703 Course Preparation

2703.1 The setting of the gates must be done before the official training and should incorporate the skillful use of the terrain with the integration of terrain features and jumps into the setting. Minor adjustments in the setting may be necessary during the training to adjust the course for a smooth race line.

2703.2 The total number of terrain features and jumps should be at the discretion of the course designer but will incorporate as many different possibilities as is practical. Blind jumps or terrain features where a competitor is unable to see the landing from the take-off should be avoided. The course should be designed so as to separate the competitors as quickly as possible after the start (i.e. 3-5 rolls, moguls or other terrain features between the start and the first turn). These terrain features should be placed in a straight line from the start to the first turn. Minimum distance of the straight section of the course between the start and the first turn should be 50 m.

2704 Inspection/Training

The competitors are allowed to inspect the course by slowly sliding down through or alongside the course. Inspection times are at the discretion of the Competition Jury but should be a minimum of 15 minutes. Competitors must visibly wear their start numbers and their helmets.

At least one training run prior to the actual competition is mandatory normally the training session should be 1 – 2 hours in length and if possible should be held the day before the actual event (under certain mitigating circumstances the competition Jury may decide other possibilities).

2705 Execution of Snowboardcross (SBX)

2705.1 Qualification

2705.1.1 Timed runs are used to qualify competitors for the finals. For FIS competitions an additional format with a seeding process for finals can be conducted, instead of timed runs (see rule 2705.1.4)

2705.1.2 There are Four (4) timed qualification formats.

a) Qualification – One Run: – all competitors take one (1) timed run.

b) Qualification – Two Runs – all competitors take two (2) timed runs. The best time one (1) run out of two runs timed runs determines the qualification ranking. Competitors who did not start (DNS) finish (DNF) or were disqualified DSQ in qualification run one (1) can participate in qualification run two (2).

c) Qualification – Two timed Runs in “Cut Down System”. From Qualification run 1, the top 50% of the final seeding bracket positions will be ranked by time (e.g. brackets 48 men, 24 qualified after 1 run, 24 ladies, 12 qualified after 1 run). Only the athletes not qualified from qualification run 1 will take a 2nd qualification run.

Start order 2nd qualification run will be the same start order of the 1st qualification run taken out the already qualified athletes. The best qualification run of the two counts for the remaining athletes.

d) Jam Session (Formula 1) Qualification – unlimited runs all competitors have unlimited runs in a fixed time period. The best time one (1) run out of this timed runs determine the qualification ranking. Start order: Seeding in each system, depending on number of starters. Maximum 64 competitors per heat.

2705.1.2.1 For the 2nd qualification run (regular 2 Run Format with all to 2nd Run) the top 16 competitor - both men and ladies will start in reverse order compared to the 1st qualification run. Competitors with start numbers 17 and higher will keep the same start position for the 2nd qualification run.

2705.1.3 Ties in Qualification for Finalists

If two (2) or more competitors have the same best time, the tie will be broken by their total time of the two (2) qualification runs. If they are still tied the tie will be broken using the highest current World Cup Standing (at World Cup competitions) or current FIS points (at OWG, WSC and FIS/CoC level competitions). If they are still tied all the competitors will receive the same rank but the competitor with the higher bib number will be ordered first. The following tie-breaking rules do not apply to competitors who are tied for the qualification rank of (16th / 24th ladies or 32nd / 48th men place). If two or more competitors are tied for the 16th / 24th and 32nd / 48th places, all competitors will run as many run-offs as required until the ties are broken. In this run-off format both (or more) competitors run together. This rule does not count for OWG. During OWG the run-off will be an individual run. In case of a tie, lane choice will be decided by draw at the start.

2705.1.4 Seeded groups without timed runs

The competitors will be seeded according to their actual FIS Points standing. In FIS WC (SBX) competitions, the competitors should be seeded using the current World Cup Ranking list or FIS Points List, whichever is higher. The brackets are in the back of this booklet.

2705.1.3.1 Ties in Qualification for Jam Session

If two (2) or more competitors have the same best time, the tie will be broken by their total time of the best two (2) qualification runs.

2705.1.3.2 Ties in Qualification with “cut down system”

If two (2) or more competitors have the same best time, the tie will be broken by their total time of the two (2) qualification runs. If they are still tied the tie will be broken using the highest current World Cup Standing (at World Cup competitions) or current FIS points (at OWG, WSC and FIS/CoC level competitions). If they are still tied all the competitors will receive the same rank but the competitor with the higher bib number will be ordered first.

If athletes are tied on the last position of qualification run one, all will be directly qualified for the finals. The starter field for the second qualification run will be reduced accordingly.

If athletes are tied on the last position of qualification run two (16th/24th ladies or 32nd/ 48 men place), all competitors will run as many run-offs as required until the ties are broken. In this run-off format both (or more) competitors run together.

This rule does not count for OWG. During OWG the run-off will be an individual run. In case of a tie, lane choice will be decided by draw at the start.

2705.2 Finals

2705.2.1 Finals are based on 48 men / 24 ladies / 6 riders per heat or 32 men / 16 ladies / 4 competitors per heat or such other numbers as determined by the Jury. In special

circumstances 64 men and/or 32 ladies are allowed.

2705.2.2 SBX will be run according to a single knockout format.

2705.2.3 The first 3 competitors (6 riders per heat) or first two 2 competitors (4 competitors per heat) advance from round to round as determined by their place of finish in each heat. Place of finish is determined by the first part of the body or Snowboard that crosses the finish line. Whenever possible, a finish line camera (video or photo finish) should be available. In case of a tie, at the finish line, such tie(s) will be broken after reviewing if available the photo-finish presentation. If a tie still exists, the competitors concerned will be ranked according to the fastest qualification time. In the case where the same qualification time exists (best time out of two runs), the tie will be broken by using the total time of both qualification runs. If a tie still exists, the competitor with the higher bib number (based upon qualifying time) will be scored as first.

2705.2.4 The competitors who do not advance in 1/8 finals heats will be grouped according to their placing in the heat and then ranked within that group according to their qualifying time... In any case a competitor who has qualified for a certain group (1/8 final, 1/4 final, etc.) will remain in this group and be ranked there. For example: Once a competitor is qualified for top 16 they will remain for scoring purposes in the top 16 group.

2705.2.5 If two (2) or more competitors do not finish or are disqualified (pushing, holding, missing a gate etc.) they will be ranked according to the length of the course finished – determined by the number of gate negotiated. If two (2) or more competitors do not finish the course, stop or fall or were disqualified at the same gate, the qualification rank will be utilized to determine their position at the end of the heat.

2705.2.6 The finals for the competitors qualified as per rule 2705.1.4 will be conducted as follows: The first two 2 competitors per heat advance from round to round as determined by their place of finish in each heat.

Place of finish is determined by the first part of the body or Snowboard that crosses the finish line. Whenever possible, a finish line camera (video or photo finish) should be available.

In case of a tie, at the finish line, such tie(s) will be broken after reviewing if available the photo-finish presentation. If a tie still exists, the competitor with the better rank on the FIS Point List for FIS Level competitions and WSC, CoC Points for Continental Cups and World Cup Points for World Cups will be ranked first.

The competitors who do not advance in their heats will be grouped into a new heat bracket. The ones who placed 3rd in their heat will compete against each other and the ones who placed 4th correspondingly.

Competitors who placed 3rd or 4th in 1/16 Finals will compete for a placing in the Quarter Finals and the Finals (or small Finals) for the places 33-64.

The competitors who finished 3rd or 4th in 1/8 Finals will conduct a placing in the Semi Finals and the Finals (or small Finals) for the places 17-32.

Competitors who placed 3rd or 4th in the 1/4 Finals will compete for a placing in the Semi Finals and Finals (or small Finals) for the places 9-16.

If there are more than 64 competitors, the looser rounds are limited to a maximum of two additional rounds and after those rounds the competitors will be tied at their respective positions.

2705.3 Ranking for final results

The competitors who participate in the qualification will be ranked according to their qualification result.

Ties for competitors which are out of the competition (do not advance to Finals) will remain as final results and listed with the same rank already on the partial result lists (Qualification Result List).

2705.4 Race Bibs

May be 4-6 different colors in each heat or numbered bibs with numbers on front, back and sleeves for better visibility by the course judges.

2704.4.1 To aid in competitor identification, 4-6 different colored leg bands may be used in addition to race bibs.

2705.5 Gate Judges

Between 4-8 Gate Judges (with control section gate Judges being provided radios connected with the Finish Referee and the rest of the Jury) on a SBX is necessary. Control section gate judges must be familiar with the rules (Inspection, Training, Gate-DSQ's, Contact etc.).

2705.6 Competition Clothing.

SBX competition suits must be two pieces – pants and separate top. Form fitting speed or downhill suits are not permitted. Non protruding body protection and padding is recommended. Protective equipment i.e. back protection must be worn on the body. No straps, fastening devices or other methods can be used to tighten the suit material closer to the body.

2705.7 Helmets

Helmets manufactured for ski racing are required for all competitors. See art. 2052.5.

2706 SBX Finals Pairings

Pairings for the finals will be according to the following:

2706.1 Finals

Ranking for 8 heats/4 per heat (32) MEN

Heat #	1st POS	2nd POS	3rd POS	4th POS
1	1	16	17	32
2	8	9	24	25
3	5	12	21	28
4	4	13	20	29
5	3	14	19	30
6	6	11	22	27
7	7	10	23	26
8	2	15	18	31

2706.2 Ranking for 4 heats/4 per heat (16) LADIES

Heat #	1st POS	2nd POS	3rd POS	4th POS
1	1	8	9	16
2	4	5	12	13
3	3	6	11	14
4	2	7	10	15

2706.3 Ranking for 8 heats/6 per heat (48) MEN

Heat #	1st POS	2nd POS	3rd POS	4th POS	5th POS	6th POS
1	1	16	17	32	33	48
2	8	9	24	25	40	41
3	6	12	21	28	37	44
4	4	13	20	29	36	45

5	3	14	19	30	35	46
6	5	11	22	27	38	43
7	7	10	23	26	39	42
8	2	15	18	31	34	47

2706.4 Ranking for 4 heats/6 per heat (24) LADIES

Heat #	1st POS	2nd POS	3rd POS	4th POS	5th POS	6th POS
1	1	8	9	16	17	24
2	4	5	12	13	20	21
3	3	6	11	14	19	22
4	2	7	10	15	18	23

2707 The Start

2707.1 Start Ramp and Start Gates

The start ramp shall be prepared in such a way that the competitors can stand relaxed on the starting line and can quickly leave the start. Push off posts must be installed – part of the start gate – for all competitions. The specifications will be adjusted to the needs of the specific competitions.

The four/six start boxes have to open simultaneously and it must be impossible for a competitor to open the gates himself. The starting block (behind the board) must be covered with Teflon to protect the board. The System should be mechanical controlled for reasons of reliability and portability.

Therefore, electronic systems are not approved unless authorized by the FIS. All start device for FIS World Cup, World Championships and Olympic Winter Games need to be approved by the FIS.

The measurements should be as follows:

- Width between the gates: 90–100 cm (recommended 100 cm)
- Height of the board: 30–40 cm (recommended 40 cm)
- Width between handles: 80–90 cm (recommended 80 cm)
- Length of the handles: 10 cm\
- Width of handles: 3–4 cm (recommended 4 cm)
- Adjustable “Handles”: Yes
- Distance between the gates: 5–60 cm (recommended 60 cm)

2707.2 Start lanes – Two Formats

Each starting position is identified by color and/or number. Looking down the course the positions are set from left to right.

Colors: red–green–blue–yellow (white black)

Numbers: 1 – 2 – 3 – 4 – (5 – 6)

Colors are determined by qualification ranking (time) in each heat:

- 1st ranked Qualification competitor – Red
- 2nd ranked Qualification competitor – Green
- 3rd ranked Qualification competitor – Blue
- 4th ranked Qualification competitor – Yellow
- 5th ranked Qualification competitor – White
- 6th ranked Qualification competitor – Black

2707.3 Choice of Starting lane

The choice of the starting lane, during each heat is based upon the qualification ranking (time). First ranked competitor from the qualifications can chose their lane, with the second fastest the next lane and so on.

A missed start is considered a disqualification / sanction. It is the competitors responsibility to arrive at the start in time to compete (see rule 2022).

2707.4

Start Command

Riders ready – attention” – randomly 1-4 seconds before the doors open (this 1-4 seconds is up to the starter).

2707.5

False start or malfunction of the start gate

Disqualification / Sanctions will take place:

- If a competitor manipulates the starting gates
- If a competitor is trying to pass the starting gates before the starting signal has been given (e.g. jumping over the start gate).
- If a competitor falls over the start gate before they open (exception a malfunction of the start gate).

If the starting gate has clearly been blocked because of technical malfunction, without the competitor touching the gate before the start signal was given, the start must be repeated.

If the starting gate is opened by one of the competitors and not by the starter because of a technical malfunction the start must be repeated

2708

Contact

Intentional contact by pushing, pulling or other means, which causes another competitor to slow down, fall or exit the course, is not allowed and is an automatic disqualification. Unavoidable “casual contact” may be acceptable. All contact infractions will be at the discretion of the course judges and race Jury.

2709

Protests

2709.1

Disqualifications will be announced and/or posted immediately after each heat at a designated area at the bottom and top of the course. All protests must be reported to the Chief of Finish and or another Jury member or to a jury appointed person (which is announced at the Team Captains meeting) before the next heat begins. Protests received after this time will not be accepted. A competitor does not need to stop their run and/or raise their hand if they think that they have been interfered with by another competitor in order to have the right to protest Protests need not be in writing but all other ACR rules for protests will apply. The protest fee must be paid at or before the conclusion of the competition.

2709.2

Handling of disqualifications caused by intentional contact

2709.2.1

If a rider gets disqualified because of intentional contact they will automatically be ranked as last in the heat. All other athletes, even if being a victim of this intentional contact, will be ranked as they come into the finish. No re-runs will be allowed in the case of international contact. Re-runs can only be given in case of force majeure or if the riders were interfered by another cause outside of riders in the heat.

2709.3

All protests must be reported to the Chief of Finish before the next heat begins. Protests after this time will not be accepted. Protests need not be in writing but all other rules for protests apply. The Jury will consist of the TD, Race Director and the Chief of Finish. The protest fee must be paid before the conclusion of the competition.

2710

Final Ranking

2710.1

Six Person Format

Competitors 1 to 6 are ranked according to their place of finish in the final heat. Competitors 7 to 12 are ranked according to their place of finish in the consolation round. All remaining competitors’ are ranked according to the round they go out in

(e.g. quarter finals) and their qualification times within that round. (Example: riders ranked 13 to 24 in the quarter final would be ranked according to their qualification times.)

2710.2 Four Person Format

Competitors 1 to 4 are ranked according to their place of finish in the final heat. Competitors 5 to 8 are ranked according to their place of finish in the consolation round. All remaining competitors are ranked according to the round they go out in (e.g. quarter finals) and their qualification times within the round they are ranked first by their placing (3rd, 4th) and then by their qualification times within that group (example: all 3rd place finishers in the quarter final would be ranked, according to their qualification times, ahead of all 4th place finishers).

2710.3 DNS, DSQ, DNF in SBX Finals

If a competitor does not start in the round of 32 or the round of 16 they will be automatically ranked in the 32nd or 16th position. If two or more competitors do not start, the DNS competitors only will be ranked on 31/32nd (15/16th) place according to their qualification times and so on with 3 or more DNS competitors. Order of placing – DNF/DSQ (sports disqualification to be ranked 4th place in the heat according to the qualification time. If two competitors are DNF/DSQ, they will be ranked in the heat on 3rd/4th position according to their qualification time. DSQ (intentional contact, etc.) to be ranked second at the end of the 4th ranked athletes and DNS to be ranked last.

2711 **Snowboardcross Team (SBX Team)**

2712 **Technical Data**

The same rules apply for vertical drop, length/inclination, width and the use of gates as for a regular SBX event (Rule 2701.1 – 2701.4.4).

2713 **Courses**

The same rules apply for general characteristics of the courses and course preparation as for a regular SBX event (Rule 2702.1-2702.2).

2714 **Course setting**

The same rules apply for course setting as for a regular SBX event (Rule 2703.1-2703.2).

2715 **Inspection/Training**

The competitors are allowed to inspect the course by slowly sliding down through or alongside the course. Inspection times are at the discretion of the Competition Jury but should be a minimum of 15 minutes. Competitors must visibly wear their start numbers and their helmets. At least one training run prior to the actual competition is mandatory but if possible warm up should last at least 30 minutes.

2716 **Execution of a SBX Team**

2716.1 **Qualification**

The most current World Cup Standing List or FIS points list (whichever is higher) will be used to determine the participating nations teams. The list is cut off at the top 60 men and top 30 women in any case. The list is sorted by Nation and ranked highest to lowest within each nation. The points are combined for all nation pairs of athletes from top to bottom.

The nations teams are ranked by points and teams are chosen for entry by moving down the list choosing the highest ranked team from each nation first, then starting at the top of the list again to choose the second (if any) ranked team from each nation, repeating as necessary, until 8 teams for women and 16 teams for men have been reached.

2716.2 **Seeding**

Teams will be ranked according to team points for purposes of seeding into standard World Cup SBX brackets.

2716.3 Teams field

Once the nation teams qualification and seeding is determined, each nation can field any eligible athlete (*) into those teams, although each athlete is only eligible to compete on one team. Nations must declare which athletes will comprise each team at the seed meeting for the competition start. Nations determine by themselves which teammate will run 1st and 2nd. Similar to regular SBX, lane choice is determined by each nation team seed, within each heat. Teams will declare which teammate will run 1st after the teams have declared lane choice. Lane choice will be declared in the following order; seed 1, seed 2, seed 3, seed 4, and then teammate running order will be declared in the following order; seed 4, seed 3, seed 2, seed 1.

* Minimum requirements are top 60 WC Standing List for men and top 30 WC Standing List for women. Furthermore all participants have to be entered as a part of their nation's regular quota for SBX.

2716.4 Competition

In a SBX Team event the first competitor from each team wears a transponder on their front leg below the knee and above the ankle. All of the first competitors from each team line up in the start and the traditional SBX start cadence is given with all gates opening at the same time. As soon as these competitors leave the start the gates are closed and their teammates line up again. When the first competitor from a team crosses the finish line the transponder sends a signal to the start gate that opens just the individual start gate for their teammate. In the case that the 1st teammate does not finish (DNF) the 2nd teammates gate will not open. The first two teams who's 2nd teammate crosses the finish line will advance to the next round.

2716.5 Bibs / Competitors identification

2716.5.1 Numbered bibs with numbers on front, back and sleeves for better visibility by the course judges should be utilized.

2716.5.2 To aid in competitor identification different colored bibs have to be used. Nation outfits are allowed but these outfits clearly need to distinguish the various riders/teams. If colored bibs will be utilized the following colors have to be used: red – green – blue – yellow – white – black.

2716.6 Gate Judges

The same rules apply for the use of gate judges as like in a regular SBX event (Rule 2705.5)

2716.7 Competition Clothing

The same rules apply for competition clothing as like in a regular SBX event (Rule 2705.6)

2717 Start

The same rules apply for start ramp, start gates and start lanes as like in a regular SBX event (Rule 2707.1-2707.2) as well as for start command, false start or malfunction of the start gate (Rule 2707.4-2707.5).

2717.1 Choice of start lane

The choice of the start lane, during each heat is based upon the seeding position. Higher seeded teams can choose their lane first. A missed start is considered a disqualification / sanction. It is the competitors responsibility to arrive at the start in time to compete (see rule 2022).

2717.2 Start Stop

In the case of a crash while the 1st teammates are on the course, where the crashed competitor(s) remain in an unsafe position on course, it may be necessary to stop a heat before the gates of the 2nd teammates open.

In this instance the results of only the 1st teammates will stand for that heat. In the case where there is only one finisher, then the one team who's 1st teammate finished advances. Once the course has been safely cleared the other 3 teams 2nd teammates will compete with all gates opening at the same time to see which team advances 2nd. A team which has been disqualified cannot continue to participate. A start stop during a SBX team event can only be given by the Race Director who should therefore have clear visibility of the whole course.

2718 Contact

The same rules apply for contact as like in a regular SBX event (Rule 2708).

2719 Protest

The same rules apply for Protests as like in a regular SBX event (Rule 2709-2709.2).

2720 Final Ranking

2720.1 Four person format

Teams 1-4 are ranked according to their place of finish in the final heat.

Teams 5-8 are ranked according to their place of finish in the consolation round. All remaining teams are ranked according to their seeding position.

2720.2 DNS, DSQ, DNF in SBX Team Finals

If a team does not start in the round of 16 or 8 they will be automatically be ranked in the 16th or 8th position. If two or more teams do not start, the DNS teams will be ranked 16/15th or 8/7th according to their seeding position and so on with 3 or more DNS teams.

Order of placing: DNF/DSQ (sports disqualification/sanctions) to be ranked first, DSQ (intentional contact, etc.) to be ranked 2nd, and DNS to be ranked third.

2800 Rules Specific to Big Air (BA)

2801 Technical Data

Big Air Start Area Specifications

Start Area Length	min. 5.0 m
Drop-in Ramp Width	min. 5.0 m
Drop-in Platform Length	min. 5.0 m
Drop-in Ramp Length	min. 30.0 m
Drop-in Ramp Inclination	min. 20.0°
Drop-in Ramp Flat, light transition	5.0 - 10.0 m

Big Air Jump Specifications

Height of Jump (bottom part of the min. 2,0 m flat to the top of kicker)	
Take-off Angle of Jump	min. 25.0°
Width of Jump	min. 5.0 m

Landing Specifications

Take-off to Landing	min. 10.0 m
Landing Inclination according to take-off	min. 28.0°
Landing Width	min. 20.0 m
Landing Length	min. 35.0 m

Finish Area Specifications

Finish Area Length	30.0 m (min. 20.0 m)
Finish Area Width	30.0 m (min. 20.0 m)

2802 Big Air Site

- 2802.1 The Big Air site must conform to the Big Air Technical Data (see art. 2801).
- 2802.2 The Big Air site must be finished and ready for training at least one day before the start of competition. The drop in allows the competitor(s) to adjust their speed for the jump and the landing should have sufficient angle to accommodate both flips and spins.
- 2802.3 Only maneuvers on the official kicker will be scored, no maneuvers above or below the official kicker will be scored.

2803 Training

Training for the Big Air is mandatory. There will be a starter at training to regulate the flow of the competitor's. Training times will be communicated by the Jury (TD or Chief of Competition) during the first Team Captains meeting.

2804 Competition Format

2804.1 Best of Two Runs

A BA competition will be decided by giving the competitors two runs in which only the high score shall count towards final placing. For each run, the scores from all judges will be added together to give the total score for that run. Only the high score will count.

- 2804.1.1 The Head Judge shall communicate to the starter when the judges are ready for the next competitor.
- 2804.1.2 Once a competitor has started his run, he is not allowed to re-start. In extenuating circumstances, the Jury may grant a re-start

2804.2 Use of Heats in BA Competitions

The use of heats in the BA qualification is recommended. Competitors can be run in heats of 20-30 when appropriate breaks occur in the formation of the start list. For example: a field of 60 men would be split into two groups, 30 men in each heat. They would be given a 30 minute practice and then take their two scored runs.

Heat 1, 30 men

Practice 30 minutes, then two scored runs, best score counts

Heat 2, 30 men

Practice 30 minutes, then two scored runs, best score counts

Heat 3, 25 men if needed

Practice 30 minutes, then two scored runs, best score counts

The heat format can be set up for 20-30 competitors and the practice sessions should be held before each heat only and only for those competitors. Practice times can be adjusted to fit schedule and number of athletes. The heat format allows competitors to complete their two runs in a short amount of time without a waiting factor; it also allows the judges to focus only at the heat in front of them.

2804.2.1 Second Run

The start order for the second run will be in the same start order as the first. When in heats, this takes place in the same heat right after the last competitor goes. If there is a final in the competition then the final competitors will start in reverse order from their qualifying scores.

2804.2.2 Start Signal

After the starter has received acknowledgment for the next competitor from the Head Judge, the starter will give the command, "Ready", "Go" to the competitor. The competitor may leave the start at any time after the command.

- 2804.3 **Best of Three Runs**
A BA competition will be decided by giving the competitors three runs in which only the high score shall count towards final placing. For each run, the scores from all judges will be added together to give the total score for that run. Only the high score will count. This system can be used for a standalone competition or can be used in a final format after a best of two runs qualification.
- 2804.4 **Modified Formats**
The qualifications format for a BA event may be modified, providing: the modified format is approved by the Jury (art. 2004).
Modified formats could include using a double-up judging panel, Jam formats and a Ranking system and could be used both in the qualification or finals. Please note that all modified formats are variations of heats and use either one judge team or the double-up judge format.
- 2805 Execution of a Big Air**
All runs are scored in the Big Air contest unless marked as JNS “Jump Not Scored”. All other competitors will be ranked according to their highest score of the two elimination round jumps.
- 2806 Competitors Equipment**
- 2806.1 **Bibs**
As per specifications.
- 2806.2 **Helmets**
As per specifications and requirements (see art. 2052.5)
- 2807 Public Address System**
- 2807.1 Music will be used at Big Air events. The sound system must be powerful enough for the competitors to have the opportunity to hear the music while at the top of the Big Air course.
- 2807.2 The Chief of Sound is responsible for the CD’s during the competition.
- 2808 Judges Stand**
- 2808.1 The recommended specifications for the Judges Stand are 5-10 m by 2-3 m. The Judges viewing area should be constructed so as to provide ample room for the appropriate number of officials, to provide room for viewing and all proper amenities for the operation of the competition.
- 2809 Big Air Judging**
- 2809.1 For each Big Air Event: Three (3) – six (6) judges shall independently evaluate the competitors performance based upon the judges criteria. If there are 6 scoring judges the high and low scores shall be discarded and the remaining scores will be counted. If there are 3 / 5 scoring Judges, all scores will count.
- 2809.2 Judges must determine scores during the Big Air events in accordance with the Big Air Judging Criteria. They must be available to the Head Judge during preparation and throughout the competition.
- 2809.3 Judges can use score cards to mark scores by bib numbers and will keep a memory board to note the tricks, falls and other specifics scoring elements.
- 2809.4 No discussions are allowed concerning competitors scores unless initiated by the Head Judge.
- 2809.5 No competitor, team representative, or spectator will be allowed to approach the Judges stand or speak with the Judges during the competition.
- 2809.6 Any protest or problem arising from the judging will be dealt with by the Head Judge and the competition jury.
- 2809.7 Judges may not be assigned to competitions in which a family member is

participating (grandparents, parents, children, brother, sister, husband, wife).

2810 Big Air Scoring System

2810.1 Each judge must use a 100 point system e.g.: 2, 6, 87, 93 etc. . Each judge can give a maximum of 100 points for each competitor. The scores of the Judges will be averaged for each competitor run, truncated after the second decimal and XX,XX out of 100 will be displayed as the total score for that particular run.

2810.2 All scores must be posted after each run.

2810.3 Tie breaking

If a tie exists, the competitor with the comparison of the two highest counting scores in the tied run shall be determined the winner. If they are still tied the comparison of the highest three scores in the tied run shall determine the winner. If they are still tied they will remain tied and the rider with higher bib will be ordered first.

2811 Judging Criteria

2811.1 Overall impression (3-5 judges counting scores)

The judges take falls and other mistakes into consideration and can deduct up to 30 % of the points of the run/judge for each fall/stop. (See deduction scale: 2811.2) Judges must have a good trick knowledge. Without understanding the trick, it must be very hard to finalize a result. As an overall impression judge you must consider:(These are not in any particular order)

Amplitude:

In Big Air, Amplitude is not just going “BIG” but landing the trick on the decided “sweet spot”.

Difficulty:

There is more than just the number of rotations that effects difficulty.

Judges consider:

- Switch take offs or landings,
- Frontside or Backside rotations,
- Take offs, on heel or toe,
- Different grabs
- Blind landings.
- Big or small kickers (if there is multiple choices)

Performing grabs can change the difficulty of the trick. Boning or tweaking can increase the difficulty and also where you grab on the board and what hand during different rotations.

Execution:

Control should be maintained during the whole trick, from take-off to landings. The trick should be done with good stability and fluidity. The trick should be performed with full control. When an athlete decides to perform a trick, he should reach the position chosen and show that this is the position he wants. In rotations flips and different hybrids, the rotation should be done in one maneuver and control should be held, demonstrated in one unique movement with an equal rotational rhythm from beginning to the end. “The trick should look easy”. If the intention of a grab is done, the grab should be made on the board (not boot grab, binding grabs etc...). Performed grab/grabs are very important in all kind of maneuvers and a missed or weak grab will influence the judges score radical.

Progression:

To have progression in our judge’s criteria’s, we push the sport forward. Try making tricks that nobody else is doing.

Landing:

Landing is the final part of the trick and a very important part. Landing must be done with full control and trick must have been completed.

Consideration

For a judge to “know” how hard tricks are, judges need to have a communication with athletes and coaches to see their opinion. This item should be discussed with coaches at official coaches meetings during the season.

Not at each competition. Difficulty is very individual and athletes, judges and coaches may disagree with each other when discussing difficulty scales. But judges must have a clear opinion when working on a competition what is easy and what is hard.

2900 Competition under Artificial Light

2900.1 Competition under artificial light is permitted.

2900.2 Lighting must meet the following specifications:

2900.2.1 The light level anywhere on the course may not be less than 80 lux, measured parallel to the surface.

2900.2.2 Lighting shall be as uniform as possible.

2900.2.3 Floodlights shall be placed so the light does not alter the topography of the course. The light must show the competitor the exact picture of the terrain and must not alter the depth perception.

2900.2.4 The lights shall not cast the competitor’s shadow into the competition line and shall not blind the competitor by glare.

2900.2.5 Obstacles and buildings in the immediate vicinity of the course must be clearly lighted.

2900.3 The TD must check ahead of time that the lighting conforms to the specifications. The organizer shall provide him with a light meter having cosine correction.

2900.4 The TD must submit a supplementary report on the quality of the lighting.

2900.5 The course setter must set the course where the light is best.

3000 Rules Specific to Slopestyle (SS)

3001 The Slopestyle

The competition will be held on a course with a variety of hits, jumps, rails, tables, big-air, etc. with two or more lines that the competitors may choose to perform.

3002 Technical Data

3002.1 General characteristics of the course

The average slope inclination should be approximately 12 degrees. The slope should have a regular pitch, without marked variations of the inclination.

The SS course must be a minimum of 30 m wide. The course must be a minimum of 100 and a maximum of 200 m in vertical drop.

3002.2 SS Course Description

The SS course shall contain a variety of type of features (table top jumps, fun boxes, quarter pipes, waves/jumps, rails and ridges, or other features types). The course should have a minimum of three (3) different features types and a minimum of four (4) judged hits in total. The course should not favor regular or goofy foot competitors while providing the competitors the opportunity to display their freestyle skills and talents. The distance between the features should allow a smooth transition and performance.

The course should be designed to require a minimum run time of 20+ seconds. The

features and the overall course should be designed in such a manner so as to allow usage by both men and ladies competitors.

The ideal SS course should be technically challenging, with a wide variety and balance of features in diverse combinations.

3002.3 The Start and Finish area

The start area must be flat and wide enough for competitors to prepare for the competition and for coaches, staff and media teams to work. The finish area must be wide enough to provide the competitors a secure termination of their performance. The entire course should be visible from the finish area.

3003 Competitor Equipment

3003.1 Bibs

Bibs are distributed by the Organizing Committee and may not be changed in shape or size. Freestyle bibs should be used. All bibs must be worn in the proper position at all sessions concerning the competition (inspection, training, qualification, finals and prize giving ceremony).

3003.2 Helmets

Helmets manufactured for ski sports are required for all competitors. See art. 2052.5.

3004 Execution of the Slopestyle

3004.1 Slopestyle Qualifications

3004.2 Best of Two Runs

A SS competition will be decided by giving the competitors two runs in which only the high score shall count towards final placing. For each run, the scores from all judges will be added together to give the total score for that run. Only the high score will count.

3004.3 The Head Judge shall communicate to the starter when the judges are ready for the next competitor.

3004.3.1 Once a competitor has started his run, he is not allowed to re-start. In extenuating circumstances, the Jury may grant a re-start.

3004.3.2 Use of Heats in SS Competitions

The use of heats in the SS qualification is recommended. Competitors can be run in heats of 20-30 when appropriate breaks occur in the formation of the start list. For example: a field of 60 men would be split into two groups, 30 men in each heat. They would be given a 30 minute practice and then take their two scored runs.

Heat 1, 30 men - Practice 30 minutes, then two scored runs, best score counts.

Heat 2, 30 men - Practice 30 minutes, then two scored runs, best score counts.

Heat 3, 25 men if needed - Practice 30 minutes, then two scored runs, best score counts.

The heat format can be set up for 20-30 competitors and the practice sessions should be held before each heat only and only for those competitors. Practice times can be adjusted to fit schedule and number of athletes. The heat format allows competitors to complete their two runs in a short amount of time without a waiting factor; it also allows the judges to focus only at the heat in front of them.

3004.3.3 Second Run

The start order for the second run will be in the same start order as the first. When in heats, this takes place in the same heat right after the last competitor goes. If there is a final in the competition then the final competitors will start in reverse order from their qualifying scores.

3004.3.4 Start Signal

After the starter has received acknowledgment for the next competitor from the Head Judge, the starter will give the command, “Ready”, “Go” to the competitor. The competitor may leave the start at any time after the command.

3004.3.5 Best of Three Runs

A SS competition will be decided by giving the competitors three runs in which only the high score shall count towards final placing. For each run, the scores from all judges will be added together to give the total score for that run. Only the high score will count. This system can be used for a standalone competition or can be used in a final format after a best of two runs qualification.

3004.3.6 Modified Formats

The qualifications format for a SS event may be modified, providing: the modified format is approved by the Jury (art. 2004).

Modified formats could include using a double-up judging panel, Jam formats and a Ranking system and could be used both in the qualification or finals. Please note that all modified formats are variations of heats and use either one judge team or the Double-up judge format.

3004.3.7 Double-up Format

Used for large numbers of competitors and use best of two runs.

Judge Panels for the Double-Up will consist of no fewer than (3) three judges on each of the (2) two panels. When using (3) judges the criteria for judging will be all (3) for overall impression.

A full panel of (4) four judges using the IJC Criteria on each panel is highly recommended. When four judges are used on the panels, overall impression will be used.

Heats will be run with a maximum of 30 competitors per heat, optimum is 20 competitors.

Training for heats will be one 30-minute session at start of each heats.

If there are finals, they will run the same way with multiple runs (2 or 3) with best run counting towards the final ranking.

3004.3.8 Competition Jury

The Competition Jury for the SS consists of the following:

- Technical Delegate
- Chief of Competition
- Head Judge

3005 Public Address System

Music will be used at SS events. The sound system must be powerful and depending on the length of the course it should be possible for the competitors to hear the music clearly and without distortion while on any part of the course.

The Chief of Sound is responsible for adequate music.

3006 Judges Stand

The minimum size of the scaffolding area must be 5 m by 2.5 m.

The Judges viewing area should be constructed so as to provide ample room for the appropriate number of officials and to provide room for viewing and all necessary amenities for the operation of the competition. The Judges stand needs to be elevated to give the best possible view of the complete SS course. If this is not possible, then a second judging stand will need to be constructed and the judging crew will need to be increased so as to view the entire course.

3007 Slopestyle Judging

3007.1 Number of Judges

Three (3)-six (6) Judges shall independently evaluate the competitors performance based upon the Judges criteria.

In the case where two (2) Judging stands are required, due to course length and viewing, the number of Judges will be increased to six (6), three (3) on each Judging stand plus the Head Judge. See Section 2608.

The total of the scores from each Judging panel will be average for final competitor's score.

3007.2 Judging Method

Only Overall Impression "IO" judging format will be utilized in SS.

The key consideration is the overall composition of the run, including the line attempted, and the use of the features.

3007.3 Judging Elements

There are four (4) main elements utilized in SS judging

- Trick difficulty
- Trick execution (including take-off and landing)
- Amplitude of the trick
- Deduction

Falls are considered as a part of the trick execution and will be taken into consideration when scoring a trick.

3007.4 Deductions

1 – 5 Minor mistake as: instable body during landings, possible small handtouch, using hands for stability and other instabilities.

6 – 15 Medium mistakes as: reverts light touch downs, heavy hand touches, body contact with snow.

16 – 20 Major mistakes as hard touch downs, falls, complete falls.

3007.5 General Criteria

Discussions by the Judges concerning competitor scores should be minimal in nature unless initiated by the Head Judge.

- No competitor, team representative or spectator may approach the judge's stand or speak with the Judges during the entire competition.
- Any protest or problem arising from the judging will be dealt with by the Head Judge and the competition Jury.

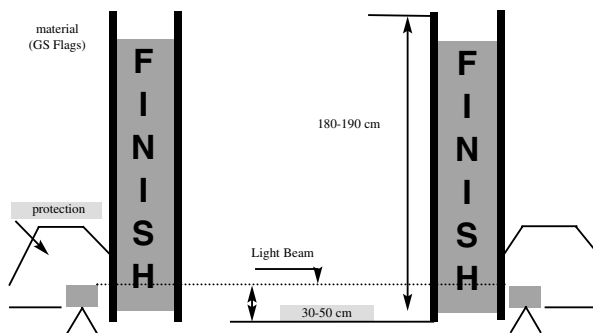
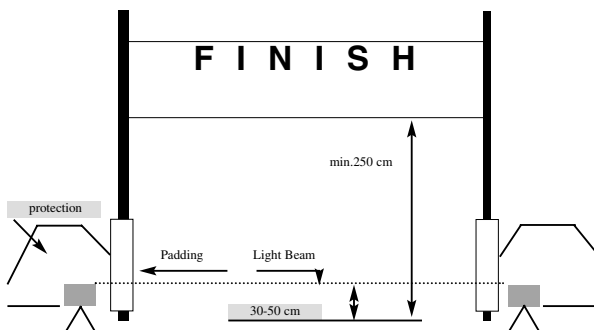
3008 Slopestyle Scoring

3008.1 Point System

Each judge must use a 100 point system e.g. 2, 6, 87, 93 etc.

Each Judge can give a maximum of 100 points for each competitor. The scores of the Judges will be averaged for each competitor run XX,X out of 100.

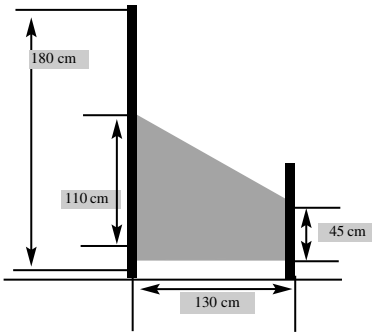
FINISH EXAMPLES



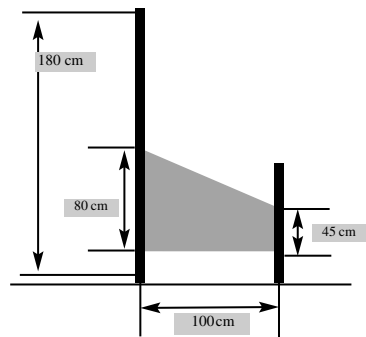
Width of Finish	
Slalom/Parallel Slalom	8.00 M
Giant Slalom/Parallel Giant Slalom	10.00 M

GATE PANELS

Giant Slalom and Parallel Giant Slalom



Slalom and Parallel Slalom



COURSE SETTING

	Giant Slalom	Parallel Giant Slalom
Vertical Drop (VD)	200 - 400 m	120 - 200 m
Number of Gates	Minimum 11 - 15% of VD	Minimum 18% of VD
Distance Turning Pole to Turning Pole	Minimum 10 m	
Course Setting	Symmetrical	

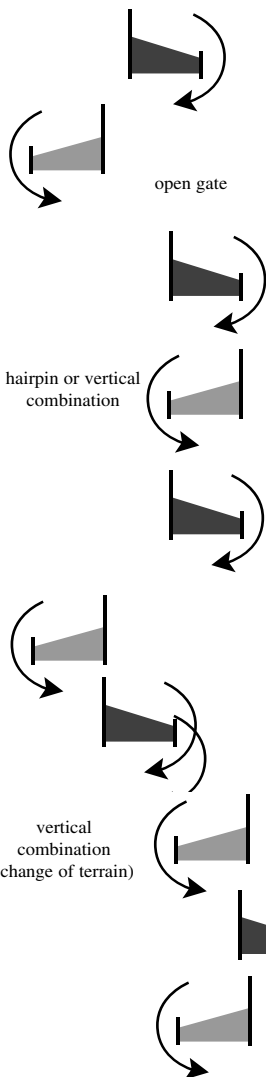
	Slalom	Parallel Slalom
Vertical Drop (VD)	120 - 180 m	120 - 200 m
Number of Gates	35 - 55	Minimum 18
Distance Turning Pole to Turning Pole	8 - 15 m	10 - 14 m
Course Setting	Symmetrical	

COURSE SETTING

Slalom/Parallel Slalom

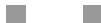
Slalom

START

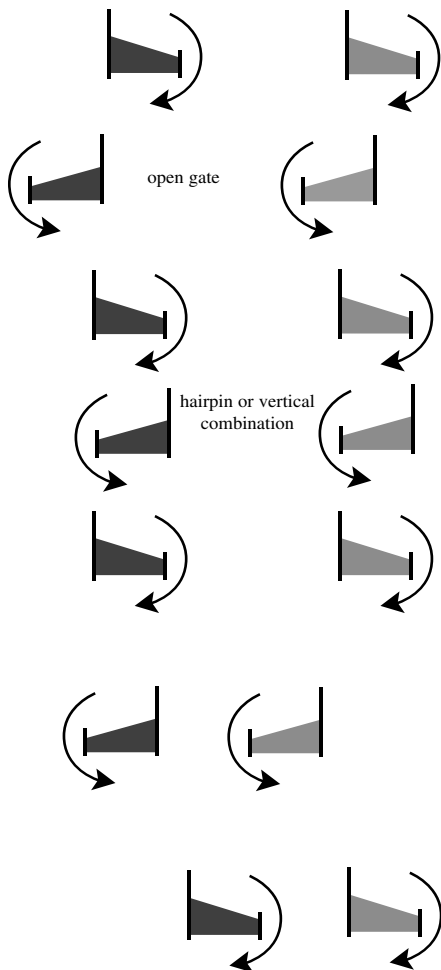


Parallel Slalom

START



START

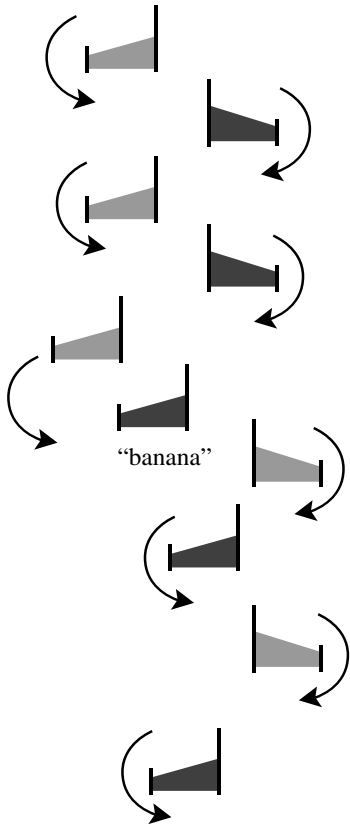


COURSE SETTING

Giant Slalom/Parallel Giant Slalom

Giant Slalom

START

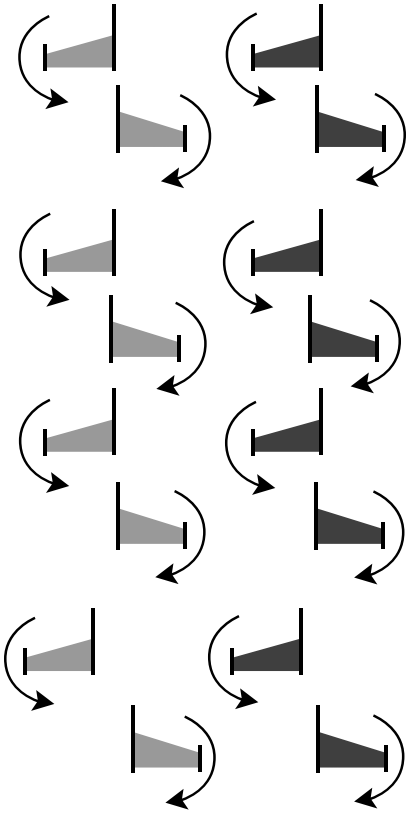


Parallel Giant Slalom

START



START



CODE OF CONDUCT

Membership in U.S. Ski & Snowboard is a privilege, not a right. All U.S. Ski & Snowboard members when participating in any U.S. Ski & Snowboard activity, must agree to conduct themselves according to U.S. Ski & Snowboard's core values of Integrity, Passion, Fun, Team, Community, Excellence, and Grit and abide by the spirit and dictates of this Code of Conduct. All members must agree to comport themselves in a sportsmanlike manner, and are responsible for their actions while attending or participating in all U.S. Ski & Snowboard activities (including but not limited to camps, competitions, and projects).

Sportsmanlike conduct is defined as, but is not limited to: respect for competition officials, resort employees, fellow members, and the skiing and snowboarding public, respect for facilities, privileges and operating procedures, the use of courtesy and good manners, acting responsibly and maturely, refraining from the use of profane or abusive language, and abstinence from illegal or immoderate use of alcohol and use of illegal or banned drugs.

While participating in any U.S. Ski & Snowboard activity:

1. U.S. Ski & Snowboard members shall be subject to the jurisdiction of the International Ski Federation (FIS) Statutes, the United States Olympic Committee (USOC) Bylaws, the U.S. Ski & Snowboard Bylaws, and the U.S. Ski & Snowboard Code of Conduct.
2. U.S. Ski & Snowboard members shall conduct themselves at all times and in all places as befits worthy representatives of the United States of America, the United States Olympic Committee, U.S. Ski & Snowboard, their region, division, state or club and in accordance with the best traditions of national and international competition.
3. U.S. Ski & Snowboard members are responsible for knowledge of and adherence to competition rules and procedures. Members are also responsible for knowledge of and adherence to the rules and procedures of the U.S. Ski & Snowboard national teams, camps or other projects when participating in such.
4. U.S. Ski & Snowboard members shall maintain high standards of moral and ethical conduct, which includes self-control and responsible behavior, consideration for the physical and emotional well being of others, and courtesy and good manners.
5. U.S. Ski & Snowboard members shall abide by U.S. Ski & Snowboard rules and procedures while traveling to and from and participating in official U.S. Ski & Snowboard activities.
6. U.S. Ski & Snowboard members shall abstain from illegal and/or immoderate consumption of alcohol. Absolutely no consumption of alcohol is permitted for those individuals under the age of 21. Members under 21 years of age shall not participate in gatherings involving consumption of alcohol unless it is an official U.S. Ski & Snowboard or event organizer function.
7. No U.S. Ski & Snowboard member shall violate the customs, travel or currency regulations of a country while traveling with a U.S. Ski & Snowboard group or on a U.S. Ski & Snowboard ticket.

8. No U.S. Ski & Snowboard member shall commit a criminal act.
9. No U.S. Ski & Snowboard member shall engage in any conduct that could be perceived as harassment based upon gender, age, race, religion, disability or sexual orientation.
10. U.S. Ski & Snowboard members will avoid profane or abusive language and disruptive behavior.
11. U.S. Ski & Snowboard members agree to abide by anti-doping rules and procedures established by the World Anti-Doping Agency (WADA), the U.S. Anti-Doping Agency (USADA), and/or FIS.

Failure to comply with any of the above provisions may lead to disciplinary action by the appropriate team or competition leader. Disciplinary action may include:

- Removal from the team trip or training camp.
- Suspension from training and/or competition.
- Elimination of coaching, travel, and other benefits.
- Forfeiture of U.S. Ski & Snowboard membership.

U.S. Ski & Snowboard is committed to principles of fairness, due process and equal opportunity. Members are entitled to be treated fairly and in compliance with U.S. Ski & Snowboard's Bylaws, policies and procedures. Members are entitled to notice and an opportunity for a hearing before being prevented from participating in protected competition as that term is defined by the USOC Bylaws. Information on the processes for grievances, suspensions and appeals is available at usskiandsnowboard.org.

Nothing in this Code shall be deemed to restrict the individual freedom of a U.S. Ski & Snowboard member in matters not involving activities in which one could not be perceived as representing U.S. Ski & Snowboard. In choices of appearance, lifestyle, behavior and speech while not representing U.S. Ski & Snowboard, competitors shall have complete freedom, provided their statements and actions do not adversely affect the name and reputation of the U.S. Ski & Snowboard. However, in those events where one is representing or could be perceived as representing U.S. Ski & Snowboard, U.S. Ski & Snowboard demands that its members understand and agree to behave in a manner consistent with the best traditions of sportsmanship and U.S. Ski & Snowboard's core values.

Revised June 7, 2017

CONCUSSION CHECKLIST

Signs and Symptoms

Athletes who show or report one or more of the signs and symptoms listed below, or simply say they just “don’t feel right” after a bump, blow, or jolt to the head or body, may have a concussion or more serious brain injury.

Signs Observed by Coaches / Officials	Symptoms Reported by Athlete
Appears dazed or stunned	Headache or "pressure" in head
Moves clumsily	Nausea or vomiting
Answers questions slowly	Balance problems or dizziness
Loses consciousness (even briefly)	Double or blurry vision
Shows behavior, or personality changes	Bothered by light or noise
Can't recall events prior to hit or fall	Feeling sluggish, hazy, foggy or groggy
Can't recall events after hit or fall	Confusion, or concentration or memory problems
	Just not "feeling right" or feeling down

Action Plan

If you suspect that an athlete has a concussion

1. Remove the athlete from training and competition,
2. Provide athlete/family with U.S. Ski & Snowboard’s concussion information and medical evaluation forms,
3. Notify jeff.weinman@usskiandsnowboard.org of suspected concussion,
4. The athlete will be placed on U.S. Ski & Snowboard medical hold until the completed medical evaluation form is received with the signature of a medical professional who has been trained in concussion management within the past three years.

More Information

cdc.gov/HeadsUp



Ted Ligety
5x World Champion



High protein for high performance.

World-class athletes need the right amount of protein to help them perform at the highest level. And Rockin' Refuel has loads of it. It's made with 30 grams of high-quality, natural protein and only 6 grams of sugar. So it's the perfect aid to help you build and rebuild muscles and give you the sustained energy you need to perform at your best. And because it's made with real Shamrock Farms milk, it also has a great taste.

rockinrefuel.com



THE BEST OF



On the mountain and in investing, the support of a great team helps power performance excellence. Putnam is proud to partner with U.S. Ski & Snowboard and financial advisors like yours — all committed to achieving outstanding results.

