



Nick Baumgartner © Oliver Kraus/FIS



2012 SNOWBOARDING COMPETITION GUIDE

TEAM - LOYALTY - INTEGRITY - RESPECT - ACCOUNTABILITY - PERSEVERANCE

Other jackets may change zippers and colors.
Ours is changing the industry.

OMNI-HEAT'S SILVER DOTS reflect body heat to make our breathable lining 20% warmer than an ordinary one. Learn more at COLUMBIA.COM/REFLECTIVE



▲ The Aerial Arson™ Shell

© 2011 Columbia Sportswear Company. All rights reserved.

 **Columbia**
Trying stuff since 1938



Proud Omni-Heat™ Reflective Supplier to the U.S. Freestyle Ski Team



2012 USSA SNOWBOARDING COMPETITION GUIDE

On the Cover

U.S. Snowboarding rider Nick Baumgartner
Photo © Oliver Kraus/FIS

Editor

Abbi Nyberg - Program Manager

Managing Editor and Layout

Jeff Weinman

Cover Design

Sarah Ely - USSA Production Artist

Published by

U.S. Ski and Snowboard Association
Box 100
1 Victory Lane
Park City, UT 84060
www.ussa.org

Follow U.S. Snowboarding at
www.ussnowboarding.org

Copyright 2011 by the U.S. Ski and Snowboard Association. All rights reserved. No part of this publication may be reproduced, distributed, or transmitted in any form or by any means, or stored in a database or retrieval system, without the prior written permission of the publisher. Printed in the USA by RR Donnelley. Additional copies of this guide are available for \$10.00 from USSA Membership Customer Service, 435.647.2666.

TABLE OF CONTENTS

USSA Key Contacts	3
Divisional Contacts	5
Important Dates	5
Chapter 1: Getting Started	7
Athletic Advancement	8
Where to Find More Information	9
USSA Membership Categories	9
Age Classes	10
Parents	10
USSA Insurance Coverage	11
Chapter 2: Points and Rankings	13
Competition Levels	14
How the USSA Snowboard National Ranking List Works	14
USSA Snowboard Points Scale	16
Chapter 3: Series and Selections	19
Eligibility for Competition	20
FIS World Cup	20
FIS World Junior Championships	21
U.S. Snowboarding Grand Prix	22
U.S. Snowboardcross Championships	22
Race to the Cup	23
Revolution Tour	23
Hole Shot Tour	23
NorAm	24
USASA	24
Chapter 4: Rules	25
Course Specifications	87
Code of Conduct	92
Concussion Checklist	94

USSA KEY CONTACT DIRECTORY

USSA Member Service (fax 435.647.2052)

Member Service Hotline 435.647.2666 membership@ussa.org
USSA Web Sites www.ussa.org
www.usskiteam.com
www.ussnowboarding.com

Sprint Snow News Hotline 435.649.6666

National Office (fax 435.649.3613)

USSA 435.649.9090 info@ussa.org
PO Box 100
1 Victory Lane
Park City, UT 84060

Executive Management

Bill Marolt, President/CEO 435.647.2001 bmarolt@ussa.org
Dick Coe, Consultant 435.647.2004 dcoe@ussa.org
Mark Lampe, Executive VP & CFO 435.647.2002 mlampe@ussa.org
Shauna Vanderlinden, Director HR/Admin. 435.647.2003 svanderlinden@ussa.org
Wendy Maurer, Executive Assistant 435.647.2006 wmaurer@ussa.org
Suzette Cantin, USSA Exec. Projects Mgr. 435.647.2074 scantin@ussa.org
Chip LaCasse, Special Asst. to the CEO 435.640.8644 clacasse@ussa.org
Laurie Hamble, Insurance Coordinator 435.647.2019 lhamble@ussa.org

U.S. Snowboarding and U.S. Freeskiing

Jeremy Forster, Program Director 435.647.2079 jforster@ussa.org
Abbi Nyberg, Program Manager 435.647.2081 anyberg@ussa.org
Kate Morton, Team Manager 435.647.2034 kmorton@ussa.org

Alpine

Patrick Riml, Alpine Program Director 435.647.2020 priml@ussa.org
Sarah Duffany, Women's Team Manager 435.647.2025 sduffany@ussa.org
Kate Avrin, Men's Team and NDS Manager 435.647.2036 kavrin@ussa.org
Terry DelliQuadri, Rocky/Central Dev. Dir. 435.640.8504 tdelliquadri@ussa.org
Dr. Lester Keller, Western Development Dir. 435.647.2035 lkeller@ussa.org
Rich Smith, Eastern Development Director 435.659.5291 rsmith@ussa.org
Bill Skinner, Masters Manager 435.647.2067 bskinner@ussa.org

Athletics

Luke Bodensteiner, Exec. VP Athletics 435.647.2055 lbodensteiner@ussa.org
Nancye Rahn, Athletics Manager 435.647.2016 nrahn@ussa.org

Communications

Tom Kelly, VP Communications 435.647.2010 tkelly@ussa.org
Margo Christiansen, Communications Dir. 435.647.2022 mchristiansen@ussa.org
Amanda Revman, Communications Coord. 435.647.2038 arevman@ussa.org
Doug Haney, Chief Press Officer 518.524.4674 dhaney@ussa.org

Competition Services

Walt Evans, Sport Development Director 435.647.2033 wevans@ussa.org
Jeff Weinman, Asst. Ntl. Comp. Director 435.647.2030 jweinman@ussa.org

Content and Creative Services

Katie Perhai, Director, Creative Services	435.647.2064	kperhai@ussa.org
Shannon Camp, Content/Video Manager	435.647.2612	scamp@ussa.org
Sarah Ely, Production Artist	435.647.2012	sely@ussa.org

Events

Calum Clark, VP Events	435.647.2053	cclark@ussa.org
Jen Desmond, Events Project Manager	435.647.2032	jdesmond@ussa.org
Mike Henderson, World Cup Event Dir.	435.647.2014	mhenderson@ussa.org
Eric Webster, Grand Prix Tour Director	603.279.0121	ewebster@ussa.org
Peter Tilton, Director Event Operations	435.647.2042	ptilton@ussa.org
Karen Korfanta, NorAm Coordinator	435.714.1376	kkorfanta@ussa.org
Tom Johnston, Alpine Tech. Advisor	435.649.9090	tjohnston@ussa.org
Nick Alexakos, Snowboard Event Manager	435.467.2018	nalexakos@ussa.org
Lindsay Arnold, World Cup Coordinator	435.647.2072	larnold@ussa.org

Foundation (Fund Raising)

Kate Klingsmith, Asst. Dir. of Development	435.647.2092	kklingsmith@ussa.org
Ruth Flanagan, Special Events Director	435.647.2023	rflanagan@ussa.org
Kristina Dickson, Special Events Assistant	435.647.2096	kdickson@ussa.org
Lisa Kramer, Major Gifts Manager	773.636.0482	lkramer@ussa.org
Alexa Maddock, Major Gifts, Tri-State	917.741.8838	amaddock@ussa.org
Jessica Miller, Special Events Coordinator	435.647.2095	jmiller@ussa.org
Beth Tatlock, Foundation Assistant	435.647.2096	btatlock@ussa.org

Freestyle

Todd Schirman, Freestyle Program Director	435.647.2080	tschirman@ussa.org
Cheryl Pearson, Freestyle Program Manager	435.647.2068	cpearson@ussa.org

Member Services

Sheryl Barnes, Member Services Director	435.647.2013	sbarnes@ussa.org
Lois Benevento, Member Services Manager	435.647.2017	lbenevento@ussa.org

Nordic

Toni Adams, Nordic Program Manager	435.647.2061	tadams@ussa.org
------------------------------------	--------------	-----------------

Sales and Marketing

Andrew Judelson, EVP/CMRO	435.647.2046	ajudelson@ussa.org
Peter Glass, Director Sales and Marketing	435.647.2083	pglass@ussa.org
Lisa Bennion, Director Sales and Marketing	435.647.2086	lbennion@ussa.org
Kim Brown, Account Executive	435.647.2097	kbrown@ussa.org
Vicky Gaylord, Account Executive	435.647.2082	vgaylord@ussa.org
Meghan Leaver, Account Executive	435.647.2043	mleaver@ussa.org
Trina Saxe, Director Supplier Relations	435.647.2031	tsaxe@ussa.org

Sport Science and Education

Troy Flanagan, High Performance Director	435.647.2028	tflanagan@ussa.org
Kyle Wilkens, Medical Director	435.647.2058	kwilkens@ussa.org
Jon Nolting, Director Sport Education	435.647.2078	jnolting@ussa.org
Ron Kipp, Sport Education Alpine Manager	435.647.2049	rkipp@ussa.org
Chelsea Steinbach, Sport Ed. Coordinator	435.647.2050	csteinbach@ussa.org

Travel Service - WorldTek Travel

24-hour Travel Service	800.TEAM.SKI	worldtek@ussa.org
------------------------	--------------	-------------------

DIVISIONAL CONTACTS

Chairman - Jon Casson, boardcoach@comcast.net

Eastern - Chris Davies, daviesc@gouldacademy.org

Central - Jessica Zalusky, jessica@thegteam.com

Far West - Dylan Omlin, d_omlin@yahoo.com

Intermountain - Andy Gilbert, andy@svsef.org

PNSA - TBD

Rocky - Paul Krahulec, paul@krahulec.com

SNOWBOARD IMPORTANT DATES

Sept. 15 Deadline for corrections to USSA and FIS points

Oct. 15 USSA membership renewal late fee applies

Snowboard Points List Dates

List	USSA		FIS	
	Close	Valid	Close	Valid
Fall List	Aug. 22	Aug. 25	N/A	N/A
List 1	Oct. 31	Nov. 3	June 30	July 1
List 2	Dec. 19	Dec. 22	Sept. 29	Oct. 1
List 3	Jan. 2	Jan. 5	Dec. 5	Dec. 7
List 4	Jan. 30	Feb. 2	Jan. 3	Jan 6
List 5	Feb. 27	Mar. 1	Feb. 5	Feb. 7
List 6	Apr. 2	Apr. 5	Mar. 5	Mar. 8
List 7	June 28	June 29	Apr. 16	Apr. 18
List 8			Apr. 29	May 2

Thank You

to the following partners of the
U.S. Ski Team, U.S. Snowboarding and U.S. Freeskiing.

ROSSIGNOL 

 **ATOMIC**

 **MADSHUS**

 **BLIZZARD**
www.blizzardusa.com

 **TECNICA**
TECNICAUSA.COM

HEAD

MARKER  **VOIKL**

 **LANGE**

NORDICA

 **DALBELLO**
dalbello.com


FISCHER


SALOMON

hart

 **alpina**

1800S

 **Ski & Snowboard
Sauna**
Gentle Heat Waxes Deep


OAKLEY

tools4boards

 **GreenLight**
COLLABORATION

BOMBER



Chapter 1 Getting Started

2012 Competition Guide



www.ussa.org

Thank you for your participation in USSA programs. The USSA provides opportunities for athletes to develop their skiing or snowboarding skills in a competitive and educational environment. Use this guide as a roadmap to USSA programs, rules and rankings.

The U.S. Ski and Snowboard Association (USSA) is an Olympic sports organization and parent body for the U.S. Ski Team, U.S. Snowboarding and U.S. Freeskiing. It is driven by a vision to be best in the world in Olympic skiing and snowboarding with an emphasis on building character through personal values. The USSA's mission is to provide strong leadership that establishes and supports athletic excellence in accordance with the USSA core values.

The USSA's programs provide education, skill development and competition opportunities for young athletes with grassroots USSA club programs up through national teams and the Olympic Winter Games.

The USSA supports athletic programs in skiing, snowboarding and freeskiing disciplines. Local USSA Clubs make up over 425 professional coaching outlets for athletes and logistical support for competitions. USSA clubs, with both professional staffs and local volunteers, comprised of about 30,000 members, are the backbone of the USSA supporting individual athletes and managing most of the USSA's over 4,500 domestic competitions. In season 2011 our resort partners, clubs, officials and volunteers hosted over 4,500 domestic competitions where more than 150,000 athletes went out of the start.

Services provided by the USSA are based around the three "R's": rules, races and rankings. Rules are established to ensure a consistent and fair playing field for all athletes. Races, or competitions, are the backbone of the USSA's programs, providing competitive programs for athletes. Rankings are a means of evaluating performance in competitions to determine advancement on the USSA's athlete development pipeline, or to assist in determining start positions in specific competitions.

The USSA provides educational resources to key constituent groups through the USSA's Center of Excellence, the national training and education facility. Education is provided to athletes, parents, officials, coaches and clubs in areas such as sport technique, fitness and exercise, sport science and sports medicine.

USSA regions and divisions/states are volunteer-run programs which implement USSA programs within small, multi-state geographic areas, including scheduling of divisional competitions, selection of divisional teams and training of competition officials.

Athletic Advancement

Now that you're a USSA member, you have access to compete in sports both in your home area and nationally. The following are steps you can take to make the most out of your competitive skiing or snowboarding experience.

Join a USSA Club - Linking up with a USSA club will allow you access to the best professional coaching and logistical support. A complete club directory is available at www.ussa.org.

Compete - Pick the proper competition programs for your age and ability. Contact the event organizer or your local USSA club for entry information. The USSA's programs offer both introductory non-scored events for youth athletes to promote skill development and fun and scored competitions to improve ranking.

USSA Ranking - Compete in USSA scored competitions to gain a USSA ranking, which will be used for advancement up the USSA athlete development pipeline. You can monitor your USSA ranking at www.ussa.org.

FIS Competition - As you advance up the pipeline with your USSA ranking, you may be eligible for ranking on the International Ski Federation (FIS) ranking list. Check with your club coach or divisional contact for more information. FIS registration is managed through the USSA. You can monitor your FIS ranking or print a FIS registration form at www.ussa.org.

Team Selection - As you continue to advance, your USSA ranking may qualify you

for a regional/state or divisional team. This includes the Junior Championships, U.S. Championships and all the way up to the U.S. Team.

In addition to these tips towards advancement, each of the USSA's sports has a specific development pipeline with defined action tips designed to educate athletes in every age group as they progress in their sport. Please see the development pipeline for your particular sport by logging on to www.ussa.org and clicking on your sport in the drop-down menu and scrolling to the advancement tab.

Where to Find More Information

As you continue competitive skiing or snowboarding, you might have questions along the way. The following are helpful resources to guide you on your path to success.

USSA Web Site - www.ussa.org is the best source of member information. Simply click on your sport on the home page. There you will find contact information, criteria and advancement protocol on your sport as well as the latest in national news from your sport.

USSA Competition Guide - This handbook is a guide for athletes, parents, coaches and officials that provides a roadmap to USSA programs. Here you can find information on rules and rankings for your sport.

Local USSA Club - Over 425 USSA Clubs are the heart of the sport. These organizations have the background and knowledge to help answer most of your questions. Check your local USSA Club for information on schedules and qualifying procedures within your division or state.

Regional/Divisional/State Contact - Each region, division and state for your sport has a contact person who can help you answer questions. Your divisional contact appears in the front of this Competition Guide and may also be found at www.ussa.org.

USSA National Office - Every USSA sport has full-time staff in the USSA national office in Park City, UT. Contact the office at 435.647.2666 with national membership or ranking questions. For a quicker response, please send an email to the email links found at www.ussa.org.

Magazines - USSA members will receive a subscription to their choice of Ski Racing Magazine, SkiTrax or Snowboarding Magazine to stay informed on sport news.

USSA Membership Categories

The USSA offers a variety of membership opportunities depending on your area of interest. Take a look at the options below to select the best fit for you.

Allow at least one week from the time you submit your application until it is processed. You can join USSA online at www.ussa.org. USSA membership will be processed immediately; FIS will still take up to one week.

USSA Rookie - This is a membership for athletes new to freestyle ages 13 and older. It is a one-year, non-renewable trial membership. This membership is scored to the USSA ranking lists.

USSA Competitor - The primary USSA membership for athletes 13 and older (based on Dec. 31 age) to gain entry into the full range of USSA competitions and scoring on USSA ranking lists. This membership is required for athletic advancement in this age group.

FIS License - Athletes with a FIS license may compete in FIS sanctioned competitions and will be scored on the international points and ranking list. Athletes must have the USSA Competitor membership in order to obtain a FIS license. Athletes should only apply for a FIS license if they meet the FIS age requirements for their discipline. FIS license must be obtained prior to competition; day-of sign-ups are not possible. Please allow at least one week from the time you submit your application until it is processed.

Volunteers - The USSA club system exists because of the help and dedication of volunteers including parents of competitive athletes. Opportunities for young athletes are available because of the volunteerism of parents and other dedicated individuals. You can become a

volunteer by getting involved with your local club. The USSA also provides membership for officials and professional coaches, plus a low-cost associate membership for parents, volunteers, and other supporters exists to allow continued support even after your competitive career is over.

Age Classes

Each USSA division conducts competitions open to all USSA members. All competition at the divisional level is conducted within designated age classes for all competitors. Check your division's schedule of events. Age classification is based on your age as of Dec. 31 of the competition season (Dec. 31, 2011 for season 2011-12).

Age Class	Age as of Dec. 31, 2011	Year of Birth
Menehune	12 years and younger	1999 and later
Junior 3	13 and 14 years old	1997 and 1998
Junior 2	15 and 16 years old	1995 and 1996
Junior 1	17 and 18 years old	1993 and 1994
Seniors	19 to 24 years old	1987 to 1992
Masters	25 to 34 years old	1977 to 1986
Legends	35 to 49 years old	1962 to 1976
Methuselah	50 years and older	1961 and earlier

Code of Conduct

A condition of USSA membership is the agreement to abide by the USSA Code of Conduct including provisions regarding drug testing. The Code of Conduct can be found near the end of this Guide.

PARENTS

Your son or daughter is on their way to growing their career in skiing or snowboarding. Supporting them in their endeavors is the number one way to help them achieve success. However, there are other ways to participate along the way to enhance the experience of competitive skiing and snowboarding.

Become a volunteer - A great way to be a part of the team is to become an official. Parents may attend officials clinics and work out of town competitions so that they will be better able to help with races at their own competition venues.

Another way to be involved is to serve on steering committees and competition committees for a sport. Contact your USSA athletic sport director for more information.

Education - The USSA provides a variety of educational opportunities for parents. Through www.ussa.org, local clubs and USSA produced educational resources, parents can gather information to help support their child in their quest towards victory. The Successful Sports Parenting DVD, produced in partnership with USA Swimming, featuring Deborah Phelps, mother of Olympic and World Champion swimmer Michael Phelps, is a suggested guide to lead you through tips to support the development and success of young athletes. Find more information at educationshop.ussa.org.

Stay involved in your child's club - Ask questions to club leaders, look at annual reports and attend orientation if offered. These activities will help you better understand your child's club and the USSA development pipeline.

USSA INSURANCE COVERAGE

USSA requires Members to have valid and sufficient primary medical/accident insurance coverage and to accept full responsibility for understanding the provisions of such coverage as a condition of becoming a USSA member and participating in official USSA training and competition. Such primary coverage must be in effect for the entire term of the membership year in order for the member to have coverage under USSA's excess accident medical policy. Members must carry proof of primary insurance and such proof must be available at each event so that prompt medical/hospital care can be authorized, if needed. USSA provides properly registered members with excess accident medical coverage, as follows:

Excess Accident Medical Insurance for Members of Non-Gold Member Clubs

Current USSA Members and USSA temporary registrants of a non-Gold Member club have excess accident medical coverage during sanctioned or registered events including official training (as defined by the policy) at such events. Please see http://www.amerspec.com/ussa_cov/ for a detailed description of coverage.

Excess Accident Medical Insurance for Members of Gold Member Club

Current USSA Members, USSA trial participants and USSA temporary registrants of a USSA Gold Member Club have excess accident medical coverage during skiing and snowboarding competition, while training to compete and conditioning to compete in ski and snowboard competition that is supervised by a USSA representative and/or representative of a USSA Gold Member Club, and during club activities that are supervised by a representative of a USSA Gold Member Club. Please see http://www.amerspec.com/ussa_cov/ for a detailed description of coverage including activities that are excluded from the policy.

Liability Insurance

USSA will provide liability coverage for:

- Event Organizers with respect to their ordinary negligence if such is alleged to have arisen in connection with competition in or conduct of sanctioned events (meaning a Schedule Agreement has been executed) and/or activities conducted or approved by USSA (including official training at such event as defined by the policy). Please see http://www.amerspec.com/ussa_cov/ for a detailed description of coverage.
- Gold Member Clubs and the members and supervisory staff of such clubs and USSA member coaches and USSA member officials while acting in their capacity as such on behalf of Gold Member Clubs. Such coverage applies during (1) ski and snowboard competition; (2) while training to compete and conditioning to compete in ski and snowboard competition that is supervised by a USSA representative and/or representative of a USSA Gold Member Club; and (3) during club activities that are supervised by a representative of a USSA Gold Member Club. Please see http://www.amerspec.com/ussa_cov/ for a detailed description of coverage.

Note: This summary provides a general overview of insurance coverage that applies for USSA members. It is not a complete explanation of all policy provisions or specifics of the policy benefits. No coverage is extended, and no representations are made, other than what is stated in the actual insurance policies.

Thank You

to the following partners of the
U.S. Ski Team, U.S. Snowboarding and U.S. Freeskiing.





Chapter 2

Points and Rankings

2012 Competition Guide



www.ussa.org

USSA snowboard competitor members receive national points for each USSA-scored competition in which they finish without disqualification. Competitors begin their points profile with 0.00 points and may increase these points to a maximum of 1000.00. Points are used to rank competitors nationally on the USSA Snowboard National Ranking List.

The list provides competition organizers with the data to establish a start order for competitions. This also allows competitors to compare their performance against the performance of riders in other parts of the country whom they may not compete against.

The USSA Snowboarding National Ranking list is available at www.ussa.org

The USSA Snowboarding National Ranking List is based on a “place-points” scale. This simply means that for every scored competition sanctioned through USSA, points are awarded from 1st place to a maximum of 100th place.

The exact calculation of the points awarded to each finish place is determined by the competition level, and the average points of the best five riders starting the event. Once the competition level and average points have been determined the event is the applied to the appropriate points scale (see table 3.1).

Competition Levels

Level 1 Competitions

Olympic Winter Games, World Championships, World Cup; the 1000 point scale is used.

Level 2 Competitions

Continental Cups, Hole Shot, Race to the Cup, Revolution Tour and Grand Prix; the 500 to 50 point scales are used.

Level 3 Competitions

FIS National Championships; the 360 to 50 point scales are used.

Average Points

Determining the appropriate points scale for level 2 and 3 competitions are based upon the average points of the competition. Average points are calculated based on the average USSA points of the best five riders who have started in the competition.

In order for a competition to be scored to the USSA Snowboarding National Ranking List it must have five starters, with or without USSA points, and three finishers.

Once the average points have been calculated the appropriate scale is selected from the tables at the end of this chapter. To choose the best possible scale, the average points value must be equal to or higher than the corresponding entry points (see table 3.2).

Table 3.2

Average Points	Entry Points	Applied Scales	Race Levels
230	211	220	2
231	231	240	2
250	231	240	2
400	381	260*	3

*Level 3 races cannot be better than 360

How the National Ranking List Works

In most cases a competitors USSA points are the average of the points from the best two competition results in the current season, in each discipline (HP, SBX, SS, or Alpine). Alpine points are defined as a result in any of the following sub-disciplines: GS, SL, PSL and PGS. The period of evaluation is July 1 through June 30.

At the start of the competition season, the points published in the fall snowboard ranking list are used as a competitor’s USSA points (or as one of his or her best results) until two races produce average points higher (better) than the fall points. When this happens, fall points are no longer used.

In the case of a new competitor with no fall points, the fall points are zero and are used until a single result is achieved. New points are then calculated as the one result - 40%. Once a second result is obtained, the two results are averaged even if the average is less than the single result - 40%.

For example, a new competitor earns a first competition result of 780.00 points in a HP competition. $780.00 - 40\%$ gives the competitor USSA points of 468.00. The competitor earns a second result of 150.00. The competitor's new USSA points are calculated as: $(780.00 + 150.00) / 2 = 465.00$.

In the event that a competitor has fall points, their fall points may be used as one result until the calculation for the last list of the season.

For example, a competitor with 750.00 fall points then achieves his/her first result of 790. Their points for lists 1-3 would then be calculated as: $(750.00 + 790.00) / 2 = 770.00$. When a second result is achieved that betters this average, the Fall points are no longer used.

In the event that a competitor has fall points and competes in two or more competitions within a single discipline and the average of these results does not produce points better than their fall points, their fall points will be reduced by a maximum of 20% on the List 6 calculation.

For example, an athlete competes in five HP competitions and one SS competition but does not better the Fall points using the above formulas, List 6 HP points would be calculated as: Fall HP points - 20%. However, the List 6 SS points would be calculated as: Fall SS points - 40%.

Calculations only occur when a list is published; they are not calculated between list periods.

Non-activity

The formula for determining points with no results or is Fall points minus 40%.

The situation is quite different for calculating FIS points. If a competitor does not have any valid FIS results in the previous 12 months, but has had valid results on a FIS points list, their FIS points will be reduced by 80% with each 12 month period of inactivity.

USSA Injury Status

When a competitor is injured and out of competition for the season, and applies for injury protection, his/her USSA points will degrade by 20% for each season injured. A competitor will be allowed a maximum of three starts during this period without losing the injury status.

Competitors must submit documented requests for injury status prior to Apr. 1 of the current competition season and must include a letter from their physician stating the specifics of the injury and the approximate time the individual will not be able to compete. This information should be sent to Abbi Nyberg at anyberg@ussa.org.

FIS Injury Status

Competitors wishing to petition for injury status application to their FIS points must apply with USSA for injury protection within 3 weeks after an injury with the official FIS form and a medical certificate. If approved, the points will be frozen for a maximum of 12 months. The application of injury status is valid for one year.

A competitor may have a maximum of three starts in each FIS discipline (HP, SBX, Alpine, and BA) during this injury period without losing their injury status. A competitor with more than three starts during the injury period will be calculated to the FIS points list according to the Rules of the FIS points. If a competitor has less than three starts during the injury period, the best scenario from one of the following will be used to calculate their FIS points:

- a. Normal FIS points calculation
- b. Reduction of 40%

If a competitor is unable to start for more than one year, and the athlete applied for injury protection following the rules prescribed above, their points will reduce by 40% of their last valid points with each 12 month period of inactivity.

	Entry Pts		476	426	381	341	306	276	251	231	211	191	
Pos.	%	Scale	1000	500	450	400	360	320	290	260	240	220	200
1	100		1000	500	450	400	360	320	290	260	240	220	200
2	80		800	400	360	320	288	256	232	208	192	176	160
3	60		600	300	270	240	216	192	174	156	144	132	120
4	50		500	250	225	200	180	160	145	130	120	110	100
5	45		450	225	203	180	162	144	130.5	117	108	99	90
6	40		400	200	180	160	144	128	116	104	96	88	80
7	36		360	180	162	144	129.6	115.2	104.4	93.6	86.4	79.2	72
8	32		320	160	144	128	115.2	102.4	92.8	83.2	76.8	70.4	64
9	29		290	145	130.5	116	104.4	92.8	84.1	75.4	69.6	63.8	58
10	26		260	130	117	104	93.6	83.2	75.4	67.6	62.4	57.2	52
11	24		240	120	108	96	86.4	76.8	69.6	62.4	57.6	52.8	48
12	22		220	110	99	88	79.2	70.4	63.8	57.2	52.8	48.4	44
13	20		200	100	90	80	72	64	58	52	48	44	40
14	18		180	90	81	72	64.8	57.6	52.2	46.8	43.2	39.6	36
15	16		160	80	72	64	57.6	51.2	46.4	41.6	38.4	35.2	32
16	15		150	75	67.5	60	54	48	43.50	39	36	33	30
17	14		140	70	63	56	50.4	44.8	40.6	36.4	33.6	30.8	28
18	13		130	65	58.5	52	46.8	41.6	37.7	33.8	31.2	28.6	26
19	12		120	60	54	48	43.2	38.4	34.8	31.2	28.8	26.4	24
20	11		110	55	49.5	44	39.6	35.2	31.9	28.6	26.4	24.2	22
21	10		100	50	45	40	36	32	29	26	24	22	20
22	9		90	45	40.5	36	32.4	28.8	26.1	23.4	21.6	19.8	18
23	8		80	40	36	32	28.8	25.6	23.2	20.8	19.2	17.6	16
24	7		70	35	31.5	28	25.2	22.4	20.3	18.2	16.8	15.4	14
25	6		60	30	27	24	21.6	19.2	17.4	15.6	14.4	13.2	12
26	5		50	25	22.5	20	18	16	14.50	13	12	11	10
27	4.5		45	22.5	20.25	18	16.2	14.4	13.05	11.7	10.8	9.9	9
28	4		40	20	18	16	14.4	12.8	11.6	10.4	9.6	8.8	8
29	3.6		36	18	16.2	14.4	12.96	11.52	10.44	9.36	8.64	7.92	7.2
30	3.2		32	16	14.4	12.80	11.52	10.24	9.28	8.32	7.68	7.04	6.4
31	2.8		28	14	12.6	11.2	10.08	8.96	8.12	7.28	6.72	6.16	5.6
32	2.6		26	13	11.7	10.4	9.36	8.32	7.54	6.76	6.24	5.72	5.2
33	2.4		24	12	10.8	9.6	8.64	7.68	6.96	6.24	5.76	5.28	4.8
34	2.2		22	11	9.9	8.8	7.92	7.04	6.38	5.72	5.28	4.84	4.4
35	2		20	10	9	8	7.2	6.4	5.8	5.2	4.8	4.4	4
36-100	2-[(Place-35)x.03]												

	Entry Pts	171	156	146	136	126	116	106	96	86	66	46	31	16	
Pos.	%	Scale	180	160	150	140	130	120	110	100	90	70	50	35	20
1	100		180	160	150	140	130	120	110	100	90	70	50	35	20
2	80		144	128	120	112	104	96	88	80	72	56	40	28	16
3	60		108	96	90	84	78	72	66	60	54	42	30	21	12
4	50		90	80	75	70	65	60	55	50	45	35	25	17.5	10
5	45		81	72	67.5	63	58.5	54	49.5	45	40.5	31.5	22.5	15.75	9
6	40		72	64	60	56	52	48	44	40	36	28	20	14	8
7	36		64.8	57.6	54	50.4	46.8	43.2	39.6	36	32.4	25.2	18	12.6	7.2
8	32		57.6	51.2	48	44.8	41.6	38.4	35.2	32	28.8	22.4	16	11.2	6.4
9	29		52.2	46.4	43.5	40.6	37.7	34.8	31.9	29	26.1	20.3	14.5	10.15	5.8
10	26		46.8	41.6	39	36.4	33.8	31.2	28.6	26	23.4	18.2	13	9.1	5.2
11	24		43.2	38.4	36	33.6	31.2	28.8	26.4	24	21.6	16.8	12	8.4	4.8
12	22		39.6	35.2	33	30.8	28.6	26.4	24.2	22	19.8	15.4	11	7.7	4.4
13	20		36	32	30	28	26	24	22	20	18	14	10	7	4
14	18		32.4	28.8	27	25.2	23.4	21.6	19.8	18	16.2	12.6	9	6.3	3.6
15	16		28.8	25.6	24	22.4	20.8	19.2	17.6	16	14.4	11.2	8	5.6	3.2
16	15		27	24	22.5	21	19.5	18	16.5	15	13.5	10.5	7.5	5.25	3
17	14		25.2	22.4	21	19.6	18.2	16.8	15.4	14	12.6	9.8	7	4.9	2.8
18	13		23.4	20.8	19.5	18.2	16.9	15.6	14.3	13	11.7	9.1	6.5	4.55	2.6
19	12		21.6	19.2	18	16.8	15.6	14.4	13.2	12	10.8	8.4	6	4.2	2.4
20	11		19.8	17.6	16.5	15.4	14.3	13.2	12.1	11	9.9	7.7	5.5	3.85	2.2
21	10		18	16	15	14	13	12	11	10	9	7	5	3.5	2
22	9		16.2	14.4	13.5	12.6	11.7	10.8	9.9	9	8.1	6.3	4.5	3.15	1.8
23	8		14.4	12.8	12	11.2	10.4	9.6	8.8	8	7.2	5.6	4	2.8	1.6
24	7		12.6	11.2	10.5	9.8	9.1	8.4	7.7	7	6.3	4.9	3.5	2.45	1.4
25	6		10.8	9.6	9	8.4	7.8	7.2	6.6	6	5.4	4.2	3	2.1	1.2
26	5		9	8	7.5	7	6.5	6	5.5	5	4.5	3.5	2.5	1.75	1
27	4.5		8.1	7.2	6.75	6.3	5.85	5.4	4.95	4.5	4.05	3.15	2.25	1.575	0.9
28	4		7.2	6.4	6	5.6	5.2	4.8	4.4	4	3.6	2.8	2	1.4	0.8
29	3.6		6.48	5.76	5.4	5.04	4.68	4.32	3.96	3.6	3.24	2.52	1.8	1.26	0.72
30	3.2		5.76	5.12	4.8	4.48	4.16	3.84	3.52	3.2	2.88	2.24	1.6	1.12	0.64
31	2.8		5.04	4.48	4.2	3.92	3.64	3.36	3.08	2.8	2.52	1.96	1.4	0.98	0.56
32	2.6		4.68	4.16	3.9	3.64	3.38	3.12	2.86	2.6	2.34	1.82	1.3	0.91	0.52
33	2.4		4.32	3.84	3.6	3.36	3.12	2.88	2.64	2.4	2.16	1.68	1.2	0.84	0.48
34	2.2		3.96	3.52	3.3	3.08	2.86	2.64	2.42	2.2	1.98	1.54	1.1	0.77	0.44
35	2		3.6	3.2	3	2.8	2.6	2.4	2.2	2	1.8	1.4	1	0.7	0.4
36-100	2-[(Place-35)x.03]														

Thank You

to the following partners of the
U.S. Ski Team, U.S. Snowboarding and U.S. Freeskiing.



Bjorn Daehe





Chapter 3

Series and Selections

2012 Competition Guide



www.ussa.org

U.S. Snowboarding offers competition programs from the regional level to international events such as the U.S. Snowboard Grand Prix and FIS World Cups. This chapter provides general information on USSA's major events and series. For events and series where particular qualifications apply, the entry criteria, field size and design of the programs themselves have been carefully developed by USSA. USSA's goal is to provide timely opportunities for talented riders to reach their full athletic potential in snowboarding competition.

ELIGIBILITY FOR COMPETITION

U.S. National Level Competitions

- USSA Snowboard Competitor membership
- Abide by USSA Code of Conduct, competition rules and procedures

All FIS Competitions

(including Grand Prix, Revolution Tour, World Cup, Junior Worlds, etc.)

- Must meet FIS age requirements (13 & up for HP, 15 & up for Alpine and SBX)
- USSA Snowboard Competitor membership
- FIS License (required)
- Abide by USSA Code of Conduct, competition rules and procedures

FIS WORLD CUP

The FIS World Cup is a high-level international snowboard series. The eight-month circuit (August-March) crisscrosses the globe, with riders from two dozen nations competing for World Cup titles in PGS, PSL, HP, SBX, SBS and BA.

Qualification

- To be considered eligible for a World Cup event, an athlete needs a minimum of 50 FIS points for Alpine and SBX and 10 FIS points for HP and SBS.
- Earned quota spots up to a maximum of 7 are based on how many people from your nation per sex per discipline are ranked in the top 30 of season ending World Cup standings.
- Additional spots for NorAm winners.

Entry in Competition

The Amateur Sports Act requires USSA, as the national governing body for Olympic snowsports, to objectively administer entries for all international competitions. If an athlete is objectively qualified through ranking, results or trials, he or she must be entered in a qualified international competition, provided he or she meets the international federation's (FIS) eligibility requirements, holds a membership with the national association (USSA), and agrees to the USSA and USOC Codes of Conduct.

For proper and effective management by the head coaches of our national program, clear procedures must be established to make efficient entrance into international competitions for all qualified athletes. The following procedure is to be followed for selection, entry and on-site management of all U.S. participants:

- All entries to FIS competitions must be made by USSA.
- Without exception, only those competitors, coaches and staff who agree to abide by the USSA and USOC Code of Conduct will be entered and/or receive credentials.
- Only those individuals on the official entry list can be recognized by the competition organizing committee.
- Specific international selection criteria, as approved by the USSA Board of Directors and published by USSA, will be strictly followed.
- Additional selection criteria for specific competition start rights, as established in advance

by the head coaches, will be available in writing if requested.

- The USA will be represented by one individual, designated by the U.S. Snowboard head coach as “team captain,” for international competitions in which U.S. competitors are entered. The U.S. Snowboard head coach or his/her designate will serve as the sole team captain for these competitions.
- All U.S. competitors must accept and follow the on-site competition plan as established by the team captain. This includes team meetings and training plans. Every effort will be made to accommodate individual competitor’s needs and additional personal coaches if they wish to attend.
- Participating in international competition as a U.S. entered competitor is a privilege and an option, not a right. Funding for national program members is at the discretion of USSA.

Schedule

Date	Event, Nation	Ladies	Men
Aug. 27-28	Cardrona, NZE	HP	HP
Oct. 15-16	Landgraaf, NED	PSL	
Oct. 29	London, GBR	BA	
Nov. 2-3	Saas Fee, SUI	HP	HP
Nov. 12	Barcelona, SPA		BA
Nov. 19	Stockholm, SWE		BA
Dec. 3-4	Carezza, ITA	PGS/PSL	PGS/PSL
Dec. 15-17	Telluride, CO	PGS/SBX T-SBX	PGS/SBX T-SBX
Dec. 16-17	Ruka, FIN	HP	HP
Jan. 13	Jaureling, AUT	PSL	PSL
Jan. 14-15	Bad Gastein, AUT	SBX	SBX
Jan. 19-22	Nendaz, SUI	PGS	PGS
Jan. 28	Sudelfeld, GER	PGS	PGS
Feb. 4	Jasna, SVK	SBS	SBS
Feb. 17-18	Blue Mountain	SBX	SBX
Feb. 22-26	Stoneham, CAN	HP/SBS/SBX/PGS	HP/SBS/SBX/PGS/BA
Mar. 3	Moscow, RUS	PSL	PSL
Mar. 1-4	Bardonecchia, ITA	HP/SBS	HP/SBS
Mar. 10	La Molina, SPA	PGS	PGS
Mar. 14-17	Valmalenco	PGS/SBX	PGS/SBX

Note: As the host nation at the Telluride World Cup, the U.S. receives additional quota spots for American athletes. Watch www.ussa.org for qualification information.

FIS WORLD JR. CHAMPIONSHIPS

USSA will select only the most qualified athletes, born between the years of 1992 and 1996 for alpine and SBX and 1992 and 1998 for HP, with the greatest opportunities for winning medals at the 2012 FIS Junior World Championships. Selection criteria will be based on world-class performances during a period of elite-level competition. The 2012 FIS World Jr. Championships will be held in Sierra Nevada, SPA Mar. 25-31, 2012.

Quota

The team will be selected from PGS, SBS, SBX and HP disciplines. The total team size will be restricted to the start quota as determined by FIS.

Qualification

Selection criteria is posted at www.ussa.org.

U.S. SNOWBOARDING GRAND PRIX

The 2012 U.S. Snowboarding Grand Prix will feature competitions in Halfpipe, Slopestyle, Snowboardcross and exhibition events (check the schedule as disciplines will be different for each Grand Prix). The best riders in the world, regardless of affiliation, will compete for prize money totaling \$225,000. In addition, all Grand Prix Events will be televised on NBC and Versus. U.S. Snowboarding Grand Prix event information can be found at www.ussnowboarding.com.

Eligibility

Riders competing in Grand Prix Halfpipe and Slopestyle events must meet at least one of the following entry criteria for each discipline:

1. Former Olympian (lifetime)
2. Top (40) men and (20) women Grand Prix HP Overall 2011
3. Top (20) men and (10) women from the Revolution Tour Overall standings and top (3) men and (3) women from each Revolution Tour that proceeds a Grand Prix in season
4. Top (16) men and (8) women U.S. Open 2011
5. Top (5) men and women USASA Open Division 2011
6. Top (100) men and (50) women TTR Ranking List 2011
7. Top (100) men and (50) women FIS Ranking List 2011

* HP riders must be 13 years-old, and SS and SBX riders must be 15 years-old, Dec. 31, 2011 by to compete.

Schedule

Dec. 5-10	Copper Mountain, CO	HP, night exhibition
Feb. 7-11	Canyons, UT	SBX
Feb. 27 - Mar. 3	Mammoth Mountain, CA	HP, SBS

Note: Be sure to check www.usssa.org for any schedule changes or other information.

U.S. SNOWBOARDCROSS CHAMPIONSHIPS

In 2012 The U.S. Snowboardcross National Championship will return to Canyons, UT on Feb. 7-11, 2012. Canyons provided a new and exciting stage for this elite level Snowboardcross event this past season. This event will be televised on NBC and Versus and the National Championship in Snowboardcross will be awarded to the top men's and women's riders. Riders must hold a current USSA competitor membership and a FIS license.

Schedule

Feb. 7-11	Canyons, UT	SBX
-----------	-------------	-----

RACE TO THE CUP

The Race to the Cup has been growing each season and will continue with three stops this season, one in each major geographic area of the U.S. At each stop, riders will compete for prize money and another chance to improve their rankings in the NorAm series.

Racers must hold a current USSA competitor membership and a FIS license.

Schedule

Nov. 15-16	Copper Mountain, CO	PGS, PSL
Dec. 9-10	Steamboat Springs, CO	PGS, PSL
Feb. 25-26	Holimont, NY	PGS, PSL

Note: Be sure to check www.ussa.org for any schedule changes or other information.

REVOLUTION TOUR

The Revolution Tour is a series of events consisting of halfpipe, slopestyle, and snowboardcross, designed to serve as a stepping stone for riders making the transition from competing at the grassroots level to the elite level. The series will be open to any rider, but is focused towards riders 13-19 (SBX 15-19) and will award the top junior an invite to be a part of U.S. Snowboarding's Project Gold. The top riders at each event will earn an exempt spot on the Grand Prix Tour for the rest of the season, qualification start in the 2012 USASA Nationals Open Class and pre-qualified to the U.S. Open.

Competition formats may vary slightly at each stop, but riders will always compete as an open class, and unless otherwise stated, athletes under the age of 13 in HP and SS or 15 in SBX will not be eligible to compete. All riders will need a USSA National Competitor membership as well as a FIS license to compete.

Schedule

Dec. 19-20	Copper Mountain, CO	HP, SS
Jan. 9, 12-13	Northstar, CA	SBX, HP, SS
Jan. 30, Feb. 2-3	Boreal, CA	SBX, HP, SS
Mar. 13-14	Mount Snow, VT	SS, HP

Note: Be sure to check www.ussa.org for up to date schedule information.

HOLE SHOT TOUR

The Hole Shot Tour is a series of events consisting of snowboardcross and skicross, designed to serve as a stepping stone for riders making the transition from competing at the grassroots level to the World Cup level. The series will be open to any rider, but is focused towards riders 15-19 and will award the top junior an invite to be a part of U.S. Snowboarding's Project Gold. The top riders at each event will earn an exempt spot on the Grand Prix Tour and 2012 USASA Nationals Open Class.

Competition formats may vary slightly at each stop, but riders will always compete as an open class, and unless otherwise stated, All riders will need a USSA National Competitor membership as well as a FIS license to compete.

Schedule

Jan. 21-22	Copper Mtn, CO	SBX, SX
Mar. 6-8	Killington, VT	SBX, SX
Mar. 24-25	Mt Hood Meadows, OR	SBX, SX

Note: Be sure to check www.ussa.org for any schedule changes or other information.

NORAM

The NorAm series between the United States and Canada continues this season. This series will consist of PGS, PSL, HP and SBX. From these events, the winner of each discipline (American or Canadian) will receive an individual start right in their discipline on the FIS World Cup tour for the following season, providing they meet World Cup eligibility rules.

Start Right Selections

All NorAm events will be calendared as FIS Continental Cups with a maximum possible point level of 500. Riders will score NorAm points based on their FIS points earned in each of the events. The rider with the most cumulative FIS points in each discipline will be awarded the NorAm spot. Please note that a rider is not required to compete in a minimum number of events to qualify for a start right.

Qualifications

U.S. Riders - Open to any U.S. rider that has a USSA National Membership and a FIS license. Foreign quotas will follow NorAm rules. Entry in Canadian events must be granted through USSA.

Canadian Riders - Open to any Canadian rider that has a Canadian National Membership and a FIS license. Foreign quotas will follow NorAm rules. Canadian riders must be listed on the national entry sent by the CSF.

Contacts

Please contact event managers for entry fees, detailed calendars and registration. Contact information is provided on the series schedule.

Abbi Nyberg
435.647.2081
anyberg@ussa.org

NorAm Alpine Finals

The NorAm Alpine Finals rotate each year between the U.S. and Canada. The 2012 NorAm Finals will provide one of the largest cash purses on the alpine circuit in North America. Respective National Champion titles will be awarded to the top American and the top Canadian finisher in each event. The top junior between the ages of 15 and 19 will be awarded the Junior National Champion title.

The NorAm Finals are an open competition to any U.S. athlete who meets the FIS alpine age requirements with a USSA Competitor membership and either a FIS license.

Schedule

Apr. 3-9 Nakiska, Canada PGS, PSL

Note: Be sure to check www.ussa.org for any schedule changes or other information.

USASA

The USA Snowboard Association provides a great starting point for grassroots competition. Information on USASA programs can be found at www.usasa.org.



Chapter 4

Rules

2012 Competition Guide



www.ussa.org

The following rules and regulations are adapted from the FIS International Competition Regulations (ICR) for USSA snowboard competition. These rules apply to competition events that are scheduled and sanctioned by USSA as the national governing body for snowboard as identified by the United States Olympic Committee. The FIS ICR and adjuncts shall govern any and all issues not addressed herein.

For all events scheduled by USSA as FIS events, the rules of the FIS apply. The sport specific rules for FIS events are available from the USSA Membership Department. The FIS rulebooks are referred to as the ICR.

In cases where regulations are not addressed by the USSA Competition Regulations for USSA events or by the FIS International Competition Regulations for FIS events, or in cases where the rules must be interpreted, the authority for making decisions will be the responsibility of the technical delegate and competition jury.

Competitors participating in USSA sanctioned events are required to hold a USSA Regional or National Membership. Competitors are also responsible for knowing and following all USSA rules stated in this book. For membership information please contact the membership office at 435.647.2666 or check out our web page at www.ussa.org.

If you have any questions regarding the Snowboard Program in the United States please check out our web page or contact:

Abbi Nyberg
Snowboard Program Manager
435.647.2081
anyberg@ussa.org

TABLE OF CONTENTS

200 Regulations for all USSA Competitions	29
201	Types of Competitions
202	Calendar Fees
203	Membership
204	Qualification of Competitors (USSA Eligibility Rules)
205	Competitors Obligations and Rights
210	Organization of Competition
211	The Organizing Committee
212	Controls and Sanctions
213	Authority
214	Special Regulations
214	Announcements
215	Entries
216	Team Captains' Meetings
217	Draw
218	Publication of Results
219	Medical Examinations
220	Drug Testing
221	Competitor's Obligations
222	Rights and Duties of the Team Captains and Coaches
223	Publication of Results

224	Prizes
225	Rights of USSA
226	Publicity
227	Competition Equipment
228	Sanctions

RULES COMMON TO ALL SNOWBOARD EVENTS

38

2000	Organization
2001	The Organizing Committee
2002	Hosting Duties of the Organizing Committee
2003	Basic Costs of the Organizing Committee
2004	The Jury
2005	The Technical Delegate (TD)
2006	Judges (freestyle events)
2007	Referees (alpine events)
2008	Course Setters/ Course Builders
2051	Forerunners
2052	Competitors' Clothing and Equipment
2053	Age Classification
2054	Timing (alpine events)
2055	Start and Finish Officials
2056	The Start
2057	Public Address System
2058	The Course and Competition
2059	The Finish
2060	Reruns
2061	Calculation and Announcement of Results
2062	Award Ceremony
2063	Interrupted Training or Competition
2064	Terminated Training or Competition
2065	Disqualifications
2066	Disciplinary Actions by the Jury
2067	Protests
2068	Appeals
2070	Gate Judges (alpine events)

2100 RULES SPECIFIC TO SLALOM (SL)

61

2101	Technical Data
2102	Slalom Course Description
2103	Course Setting
2104	Competitor Inspection
2105	The Start
2106	Execution of the Slalom
2107	Competition Clothing and Helmets

2200 RULES SPECIFIC TO GIANT SLALOM (GS)

65

2201	Technical Data
2202	Giant Slalom Course Description
2203	Course Setting

2204	Competitor Inspection	
2205	The Start	
2206	Execution of the Giant Slalom	
2207	Competition Clothing and Helmets	
2500	RULES SPECIFIC TO PARALLEL EVENTS	67
2501	Definition	
2502	Technical Data	
2503	Parallel Course Description	
2504	The Courses	
2505	The Start	
2506	The Finish	
2507	Course Setting	
2508	Timing	
2509	Execution of Parallel Events	
2010	Control of the Race	
2511	Disqualification/Sanctions	
2512	Penalty Time	
2600	RULES SPECIFIC TO HALFPIPE (HP)	73
2601	Technical Data	
2602	The Halfpipe Site	
2603	Competitor Training	
2604	The Start	
2605	Execution of the Halfpipe	
2606	Helmets	
2607	Judges' Stand	
2608	Halfpipe Judging and Scoring	
2700	RULES SPECIFIC TO SNOWBOARDCROSS (SBX)	77
2701	Technical Data	
2702	Snowboardcross Course Description	
2703	Course Preparation	
2704	Inspection/Training	
2705	Execution of Snowboardcross	
2706	Snowboardcross Finals Parings	
2707	The Start	
2708	Contact	
2709	Protests	
2710	Final Ranking	
2900	Competition under Artificial Light	83
3000	RULES SPECIFIC TO SLOPESTYLE (SBS)	83
3001	The Slopestyle	
3002	Technical Data	
3003	Competitor Equipment	
3004	Execution of Slopestyle Format	
3006	Judges Stand	
3007	Slopestyle Judging	
3008	Slopestyle Scoring	

200 Regulations for all USSA Competitions

- 200.1 All events in the USSA Calendar must be held under the applicable FIS/USSA Rules.
- 200.2 **Organization and Conduct of Competitions**
The organization and rules for conducting national and regional championships, divisional competitions, and competitions with restricted participation are specified in articles 2000-2900 of this competition guide.
- 200.3 **Participation**
Competitions listed in the USSA calendar are open to USSA members with the appropriate member type unless limitations are announced.
- 200.4 **Control**
The Jury of USSA controls all competitions listed in the USSA Calendar.
- 200.5 Every legal sanction imposed and published in respect of a competitor, official or trainer will be recognized
- 200.6 **Competitions with Limited Participation**
USSA competition organizers may invite other nations and/or organizations to participate in their competitions, but these competitions must not be announced as international competitions and the limitation of other nations must be made clear in the announcement.
- 200.7 **Competitions with Non USSA Members**
The USSA Board of Directors can authorize its competition committees to invite non-member organizations to competitions, or accept invitations from such an organization.
- 200.8 **Classification of Competitions**
- 200.8.1 **National Championships**
- 200.8.2 **Regional Championships**
- 200.8.3 **Divisional Championships**
- 200.8.4 **Divisional Competitions**
- 200.8.5 **Competitions with restricted participation**

201 Types of Competitions

USSA snowboard competitions may consist of:

- 201.1 **Alpine Events**
- 201.2 Women and men: slalom (SL), parallel slalom (PSL), giant slalom (GS) and parallel giant slalom (PGS).
- 201.3 **Freestyle Events**
- 201.3.1 Women and men: halfpipe (HP), slopestyle (SBS) and big air (BA).
- 201.4 Women and men: snowboardcross (SBX).

202 Calendar Fees

- 202.1 USSA fixes a calendar fee for each event in the USSA Calendar. This fee is payable by the organizer, to USSA by Nov. 15th of the current year. A 50% late fee is charged after Dec. 1st and is subject to payment within 14 days after the receipt of an invoice.
- 202.2 If, after receipt of a written reminder, this fee is not paid, it will be increased by an

additional 50% and is payable by Dec. 15th.

202.3 The calendar fees for USSA snowboard competitions are as follows:

- Divisional competitions - \$25 per event.
- Regional championships - \$50 per event.

203 Membership

203.1 The USSA membership year begins on July 1 and finishes on June 30 of the following year.

203.2 To be eligible for participation in USSA snowboard competitions, a competitor must have a USSA National or Regional Membership. Such a membership shall be valid in the USA for the membership year only.

203.3 The USSA competition organizer shall not admit competitors of any other national association unless they produce a FIS or USSA competitor membership.

203.4 USSA member competitors must declare the division in which they will compete on their application. If a competitor fails to declare a division, the address on the application will determine the divisional affiliation. A competitor does not have to declare their division according to where they reside, but must qualify for regional and national championships and any FIS events through their declared division. Once a competitor declares a division, no changes will be accepted until the following membership year.

203.5 Competitors may not enter USSA calendared competitions without a USSA National or Regional Membership. Membership must be purchased prior to the competition and may not be purchased on-site.

203.5.1 Non-member competitors may purchase a competitor membership at any time during the season but will only receive points from the time the membership is purchased.

203.5.2 Regional Members may only compete at the divisional level within their region (East or West). Regional Members must up-grade to a National Membership if they wish to compete in any competition above the regional level.

204 Qualification of Competitors (USSA Eligibility Rules)

204.1 USSA shall not issue a membership to any competitor who:

204.1.1 has been guilty of improper or unsportsmanlike conduct, or has not respected or conformed to all aspects of the USSA Code of Conduct;

204.1.2 accepts or has accepted, directly or indirectly, a money-payment in a way that does not correspond to the rules (art. 212);

204.1.3 accepts or has accepted a prize not in accordance with art. 211;

204.1.4 permits or has permitted their name, title or individual picture to be used for advertising, except when the USSA enters into the contract for sponsorship, equipment or advertisements;

204.1.5 knowingly competes or has competed against any competitor not eligible according to these rules, except if the competition concerned is approved by the FIS and is directly controlled by the FIS or by USSA and the competition is announced "open".

205 Competitors Obligations and Rights

205.1 The competitors are obliged to make themselves familiar with the appropriate FIS / USSA rules and must comply with the additional instructions of the Jury.

205.2 Competitors are not permitted to compete while under the influence of doping.

205.3 Competitors must follow FIS / USSA rules and regulations and instructions of the Jury.

205.4 Competitors who do not attend the prize-giving ceremonies without excuse lose

their claim to any prize including prize money. In exceptional circumstances, the competitor may be represented by another member of his team, but this person has no right to take his place on the podium.

205.5 Competitors must behave in a correct and sportsmanlike manner towards members of the Organizing Committee, officials and the public.

205.8 Gambling on Competitions

Competitors, trainers, team officials and technical officials are prohibited from betting on the outcome of competitions in which they are involved.

Bylaws to articles for 206, 207 commercial markings and advertising

B Advertising with Athletes

B.1 Advertising with groups of at least 3 athletes is allowed without any formal limitations, subject to the permission of USSA.

B.2 Names, titles and illustrations of particular athletes can only be used in advertising with the permission of USSA, whereby the following restrictions apply.

B.2.1 Advertising with individual athletes is generally allowed for suppliers of USSA whose products are necessary for the sport. Other suppliers or sponsors must first receive approval.

B.3 The following are not allowed in advertising with athletes:

B.3.1 Any kind of advertising with alcohol, tobacco or drugs;

B.3.2 The use of names, illustrations and titles of competitors for product names or product designs;

B.3.3 Any direct statement or active product presentation;

B.3.4 Any religious or racial discrimination.

210 Organization of Competition

210.1 Each USSA division is entitled to present to the SC (Snowboard Committee) and USSA Events Department, its candidacy for the organizing of a national level competition.

210.2 For all other competitions, scheduling has to be in accordance with the USSA rules for calendaring a competition (art. 203)

211 The Organizing Committee

The organizers must appoint an Organizing Committee for each competition, which will be responsible for its orderly preparation and conduct. The organizing committee will consist of the:

- Chair
- Secretary
- Chief of Competition and/or TD

212 Controls and Sanctions

212.1 The competition Jury shall be responsible for enforcing the directions covering advertising on equipment within the competition areas, appointing whatever officials are necessary. A competitor not complying with the directions shall not be permitted to start.

212.2 A competitor infringing on one of the above provisions shall have his/her membership immediately revoked by USSA. If the infraction is judged to be of minor importance, the competitor shall first be given a warning.

212.3 A competitor, whose membership has been suspended, may have his membership restored after the expiration of the penalty period or with the specific approval of USSA.

- 212.4 If an advertiser exploits the use of the name, title or individual picture of a competitor in connection with any advertisement, recommendation or sale of goods without the approval or knowledge of the competitor, the competitor may give power of attorney to USSA to allow them to take legal action against the advertiser in question. If the competitor concerned fails to do so, USSA shall judge the situation as if the competitor had given permission to the advertiser.

213 Authority

- 213.1 The Eligibility Committee shall deal with all questions concerning infractions and interpretations of these rules. Its decisions are subject to appeal to the USSA Appeals Board.

- 213.2 The Eligibility Committee may appoint an executive committee to take initial action concerning infractions and to make decisions on behalf of USSA. The Chairman shall take the initiative to bring a case before the USSA Board of Directors and the athlete shall plead the case.

213 Announcement

- 213.1 A printed or duplicated announcement must be published for each competition in the USSA Calendar and it must contain the following:

213.2 date and place of the competitions;

213.3 conditions for participation;

213.4 names of principle contact;

213.5 time and place for the first team captains meeting;

213.6 timetable for official training and start times;

213.7 location of the official notice-board;

213.8 time and place for the awards;

213.9 final date of entry and address for entries, including telephone and fax numbers.

213.10 details of any modified formats, e.g., knockout formats, as described in art. 2605.1.2.

214 Special Regulations

- 214.1 USSA can adopt rules and regulations and organize national or international competitions embodying different grounds for a qualification, provided they do not go beyond the limits outlined in the present rules.

214 Announcements

- 214.1 The Organizing Committee must publish an announcement for the event. 30 days prior to the event. It must contain the information required by art. 216.

214.2 The organizers are bound by the rules and decisions of the Snowboard sport committee in limiting the number of entries for championship competitions.

214.3 Postponements or cancellations of competitions and program alterations must be communicated immediately by telephone or fax to the USSA office, all invited clubs and the appointed TD.

215 Entries

215.1 All entries must be sent, in good time, by mail or by fax, so the Organizing Committee receives them before the entry deadline. The organizers must have a definite list not later than 24 hours before the draw.

215.2 Only valid USSA Competitor members with a FIS license are allowed to enter FIS competitions.

215.3 Every entry should include; USSA number, full name, year of birth and discipline entered (SL, GS, HP, SBS, SBX).

216 Team Captains' Meetings

- 216.1 The time of the first team captains' meeting must be shown in the announcement. All other meetings must be announced to the team captains at their first meeting. Emergency meetings must be announced in good time.
- 216.2 Decisions at team captains' meetings are taken by a majority vote. Each participating club, the TD and the chairman have one vote. Proxy by a representative of another club is not allowed. In case of a tie, the chairman, who may be the TD or a representative of the Organizing Committee has the deciding vote.
- 217 Draw**
- 217.1 Competitors will only be listed on the start order if they have a confirmed entry.
- 217.2 The responsible team captain or coach must be present if there is a draw to determine start order.
- 217.3 If one or more competitors listed to start are not present during the competition, the TD must name them in his report, if possible indicating the reasons for absence.
- 217.4 If a competition has to be postponed by at least one day, the draw must be done again.
- 218 Publication of Results**
- 218.1 The unofficial and official results will be published in accordance with the rules for the specific event.
- 218.1.1 Transmission of Results
Results shall be transmitted to USSA upon completion of all official paperwork and with the express permission of the Technical Delegate and/or the Jury.
- 218.2 The data and timing generated from all USSA competitions is at the disposal of USSA, the organiser, the and participants for use in their own publications, including websites. Use of data and timing on websites is subject to the conditions laid down in the USSA Internet Policies.
- 218.3 USSA Internet Policies and Exchange of Data relating to USSA Competitions
- 218.3.1 General
As part of the ongoing promotion of skiing and snowboard, USSA encourages and appreciates the efforts made by the organizers to provide messages and information to their members and fans. An increasingly important medium for this provision of information is through the Internet. The results and data from USSA competitions may only be used on the USSA's, Organisers' and participants' websites and may not be passed on for commercial use to third parties or organizations.
- 218.3.4 Organizers access to results
Organizers of USSA events can obtain official results from their of the races after they have been approved by the USSA points verification procedure in the results database.
- 219 Medical Examinations**
- 219.1 Team captains and coaches are responsible for the health condition of the competitors they enter.
- 220 Drug Testing**
- 220.1 USSA follows the policies and procedures for drug testing outlined by the United States Anti-doping Agency and the United States Olympic Committee. The drug testing policy can be requested from USSA.
- 221 Competitor's Obligations**
- 221.1 Competitors are obliged to make themselves familiar with USSA rules and must comply with the special instructions of the Organizing Committee and the Jury.
- 221.2 Competitors who are under the influence of alcohol or drugs are not permitted to take part in the competition.

221.3 The Jury will disqualify competitors who do not follow USSA rules and regulations.
221.4 Competitors who inexcusably do not attend the award ceremonies lose their claim to any prize. In exceptional circumstances, another member of his team may represent the competitor, but this person has no right to take his place on the podium.

221.5 Sanctions may be taken against competitors behaving in an unsportsmanlike manner towards competition officials or members of the Jury.

222 Rights and Duties of the Team Captains and Coaches

222.1 The team captains and coaches must be USSA members in order to be:

- nominated as a member of the Jury;
- nominated as a course setter, Referee or assistant, if these have not been appointed by USSA or if the appointed person is not present;
- issued a pass or armband for the training or competition (or reimbursement for costs, if a lift pass has not been provided);
- issued a pass or armband stating the function or marked “course”.

222.2 If a team captain or coach violates the competition regulations or the decisions of the Jury, or if they behave in an unsportsmanlike manner, the Jury may impose a sanction. This may be a written warning or withdrawal of accreditation for a given period of time or a fine, payable to the USSA. The USSA office must be informed of the sanction.

222.3 A team captain or coach must fulfill the duties they have accepted as a member of the Jury, or as a course setter.

223 Publication of Results

223.1 The unofficial and official results will be published in accordance with the article 2061.

223 Application of the USSA Rules and Sanctions

223.1 All events in the USSA calendar must be held under USSA rules. The organizer may introduce minor modifications or simplifications provided they have been agreed by the SC, or have been agreed by all the participating teams.

223.2 Competitions with limited participation can be held under special competition rules, provided they conform to the basic principles of the USSA rules. Any deviation from the USSA rules must be stated in the announcement.

223.3 Organizers, who conduct competitions so poor that the Jury or TD must cancel them, can be penalized by the USSA, if the SC proposes this.

223.4 Organizers that hold competitions for competitors not qualified under articles 206 through 212 can be penalized by the USSA.

223.2 The official results must be sent by mail or email to the USSA office within 3 days from the conclusion of the competition. Results should be sent to anyberg@ussa.org and results@ussa.org.

224 Prizes

224.1 Prizes shall consist of mementos, diplomas, checks or cash.

224.2 Prizes for setting or establishing records are forbidden.

224.3 Television

225 Rights of USSA

225.1 USSA is entitled to make contracts that apply to the transmission of coverage for competitions that USSA organizes. USSA can transfer this right to anyone it desires.

226 Publicity

226.1 If USSA conveys television rights to another party, special concern must be taken

to secure the best possible quality of publicity, as well as the widest possible transmission range for the competition.

227 Competition Equipment

227.1 A competitor may only take part in USSA competition with equipment that conforms to USSA regulations.

227.2 The term competition equipment encompasses, in their entirety, all items of equipment that the athlete uses in competitions. This includes clothing, as well as apparatus with technical functions. The entire sum of all competition equipment forms a functional unit.

228 Sanctions

228.1 General Conditions

228.1.1 An offence for which a sanction may apply and a penalty be imposed is defined as conduct that:

- is in violation or non-observance of competition rules, or
- constitutes non-compliance with directives of the jury or individual members of the jury, or
- constitutes unsportsmanlike behavior

228.1.2 The following conduct shall also be considered an offence:

- attempting to commit an offence
- causing or facilitating others to commit an offence
- counselling others to commit an offence

228.1.3 In determining whether conduct constitutes an offence consideration should be given to:

- whether the conduct was intentional or unintentional,
- whether the conduct arose from circumstances of an emergency

228.1.4 All FIS affiliated associations, including their members registered for accreditation, shall accept and acknowledge these rules and sanctions imposed, subject only to the right to appeal pursuant to the FIS Statutes and ICR

228.2 Applicability

228.2.1 Persons

These sanctions apply to:

- all persons who are accredited by the FIS or the organiser for an event published in the FIS calendar (an event) both within and without the confines of the competition area and any location connected with the competition, and
- all persons who are not accredited, within the confines of the competition area

228.3 Penalties

228.3.1 The commission of an offence may subject a person to the following penalties:

- Reprimand - written or verbal
- Withdrawal of accreditation
- Denial of accreditation
- Monetary fine not more than CHF 100'000.--
- A time penalty

228.3.1.1 FIS-affiliated associations are liable to the FIS for the payment of any fines and incurred administrative expenses imposed on persons whose registration for accreditation they arranged.

228.3.1.2 Persons not subject 228.3.1.1 also are liable to the FIS for fines and incurred administrative expenses. If such persons do not pay these fines, they shall be subject to a withdrawal of any permission to apply for accreditation to FIS events

- for a period of one year.
- 228.3.1.3 Payment of fines is due within 8 (eight) days following their imposition.
- 228.3.2 All competing competitors may be subject to the following additional penalties:
- Disqualification
 - Impairment of their starting position
 - Forfeiture of prizes and benefits in favour of the organiser
 - Suspension from FIS events
- 228.3.3 A competitor shall only be disqualified if his mistake would result in an advantage for him with regard to the end result, unless the Rules state otherwise in an individual case.
- 228.4 A jury may impose the penalties provided in 228.3.1 and 228.3.2, however they may not impose a monetary fine of more than CHF 5'000.-- or suspend a competitor beyond the FIS event at which the offence occurred.
- 228.5 The following Penalty decisions may be given verbally:
- reprimands
 - the withdrawal of accreditation for the current event from persons who had not been registered with the organiser through their National Associations
 - the withdrawal of the accreditation for the current event from FIS accredited persons
 - the denial of accreditation to the current event from persons who are within the confines of the competition area or any other location connected with the competition.
- 228.6 The following Penalty decisions shall be in writing:
- monetary fines
 - disqualification
 - impaired starting position
 - competition suspensions
 - withdrawal of accreditation from persons who had been registered through their National Association
 - withdrawal of accreditation of FIS accredited persons
- 228.7 Written Penalty decisions must be sent to the offender (if it is not a competitor), the offender's National Association and the Secretary General of FIS.
- 228.8 Any disqualification shall be recorded in the Referee's and/or the TD's Report.
- 228.9 All penalties shall be recorded in the TD's Report.
- 229 Procedural Guidelines
- 229.1 Competence of Jury
- The Jury at the event has the right to impose sanctions according to the above rules by majority vote. In the case of a tie, the chairman of the Jury has the deciding vote.
- 229.2 Within the location, especially during the training and the competition period, each voting Jury member is authorised to issue oral reprimands and withdraw the accreditation which is issued for the current event.
- 229.3 Collective Offences
- If several persons commit the same offence at the same time and under the same circumstances, the Jury's decision as to one offender may be considered binding upon all offenders. The written decision shall include the names of all offenders concerned, and the scope of the penalty to be assessed upon each of them. The decision will be delivered to each offender.
- 229.4 Limitation

- A person shall not be sanctioned if proceedings to invoke such sanction have not been commenced against that person within 72 hours following the offence.
- 229.5 Each person who is a witness to an alleged offence is required to testify at any hearing called by the Jury, and the Jury is required to consider all relevant evidence.
- 229.6 The Jury may confiscate objects that are suspected of being used in violation of equipment guidelines.
- 229.7 Prior to the imposition of a penalty, the person accused of an offence shall be given the opportunity to present a defence at a hearing, orally or in writing.
- 229.8 All Jury decisions shall be recorded in writing and shall include:
- 229.8.1 The offence alleged to have been committed
- 229.8.2 The evidence of the offence
- 229.8.3 The rule (s) or Jury directives that have been violated
- 229.8.4 The penalty imposed.
- 229.9 The penalty shall be appropriate to the offence. The scope of any penalty imposed by the Jury must consider any mitigating and aggravating circumstances.
- 229.10 Remedies
- 229.10.1 A penalty decision of the Jury may be appealed in accordance with the provisions in the ICR.
- 229.10.2 If an appeal is not filed within the deadline established in the ICR, the penalty decision of the Jury becomes final.
- 229.11 The following decisions of the Jury are not subject to appeal:
- 229.11.1 Oral penalties
- 229.11.2 Monetary fines less than CHF 1'000.-- (One Thousand Swiss Francs) for single offence and a further CHF 2'500.-- for repeated offences by the same person.
- 229.12 In all remaining cases, appeals are to be directed to the Appeals Commission, as per the ICR.
- 229.13 The Jury shall have the right to submit to the Appeals Commission recommendations for penalties in excess of monetary fines of CHF 5'000.- and suspensions beyond the event in which the offence occurred.
- 229.14 FIS Council shall have the right to submit to the Appeals Commission comments with respect to any written penalty decisions by the Jury.
- 229.15 Costs of Proceedings
- Fees and cash expenses, including travel expenses (costs of the proceedings) are to be calculated comparable to costs paid to TD's and are to be paid by the offender. In the case of a reversal of Jury decisions, in whole or in part, the FIS covers all costs.
- 229.16 Enforcement of Monetary Fines
- 229.16.1 The FIS oversees the enforcement of monetary fines and the costs of proceedings. Enforcement costs are considered costs of the proceedings.
- 229.16.2 Any outstanding monetary fines imposed on an offender is considered a debt of the National Association to which the offender is a member.
- 229.18 These rules are not applicable to any violation of FIS Doping rules.

RULES COMMON TO ALL SNOWBOARD EVENTS

2000 Organization

2001 The Organizing Committee

If the organizing club or association does not act as organizing committee it will designate an organizing committee. The organizing committee will appoint a competition committee for all technical matters.

2002 Hosting Duties of the Organizing Committee

2002.1 The organizing committee must assume all responsibility to ensure that the details involved in hosting USSA calendared competitions are properly controlled. The importance of efficient communication with all individuals and participating teams is essential to a well-planned competition.

2002.2 The organizing committee should provide an announcement that provides to all participants and guests materials on accommodation and travel details. In the case of a National Championship Event, judges are compensated in accordance with the policy of USSA.

2002.3 The Organizing Committee is responsible for providing results to individuals participating in the competition immediately following the competition.

2003 Basic Costs of the Organizing Committee

2003.1 The organizing committee must pay the USSA calendar fee (art. 203.3) and head tax (\$5.00) per competitor, unless otherwise arranged with USSA.

2003.2 The organizing committee must compensate the judges in accordance with the division's policy for compensation. In the case of a national championship event, judges are compensated in accordance with the policy of the FIS.

2003.3 The organizing committee must compensate the TD in accordance with the division's policy for compensation. In the case of a national championship event, TD's are compensated in accordance with the policy of the FIS.

2003.4 The organizing committee must provide accommodations for officials in accordance with the division's rules, or in the case of a national championship event, in accordance with the current policy of the FIS.

2003.5 The organizing committee must provide lift tickets for officials and coaches in accordance with the division's rules. At national championship events, officials and coaches with proper USSA membership, working at the event will receive complimentary lift tickets.

2004 The Jury

2004.1 Appointment of the Jury

2004.1.1 Alpine events (PGS, PSL, SL, GS),

- the Technical Delegate
- the Referee
- the Chief of Competition

2004.1.2 SBX

- the Technical Delegate
- the Chief of Finish
- the Chief of Competition

2004.1.3 HP, SBS, BA and other judged events

- the Technical Delegate
- the Head Judge
- the Chief of Competition or Chief of Pipe/Slopestyle

2004.1.1 The TD and/or Head Judge are appointed by the organizing committee, or in the

case of national championships, by the USSA Snowboard Sport Committee.

- 2004.1.2 The Referee is selected by the TD
- 2004.1.3 For national championships only, with the exception of the TD, no division may be represented by more than one Jury member.
- 2004.1.4 The Jury, when possible should include women
- 2004.1.5 A competitor may not be a member of the Jury.
- 2004.2 Tenure of the Jury
- 2004.2.1 The appointed Jury members gather for their first meeting prior to the start of official training.
- 2004.2.2 The active duty of the Jury begins with its first meeting and ends, if no protest is submitted, at the expiration of the protest deadline, otherwise after dealing with all submitted protests.
- 2004.3 Voting
- 2004.3.1 The TD is chairman of the Jury. He/She conducts the Jury meetings.
- 2004.3.2 The named members of the jury in 2004.1.1, 2004.1.2, 2004.1.3 have one vote in the jury for that specific event.
- 2004.3.3 Decisions are made by simple majority vote of members present and voting (exception art. 2067.6.3 and 2006.3). In the case of a tie, the TD casts the deciding vote.
- 2004.3.4 Minutes are to be kept of all meetings and decisions of the Jury and signed by the Jury.
- 2004.3.5 Each member of the Jury has the right, when urgent cases occur immediately prior to or during the competition, to make decisions, which according to the rules, are reserved to the Jury as a whole. These decisions are provisional with the obligation to have the decision confirmed by the whole Jury as soon as possible.
- 2004.3.6 In cases of risk the competitors, the decision of the TD (even contrary to the votes of the other Jury members entitled to vote) is binding. In such a case, the TD must put his decision in writing, together with the reasons for it, and bring it immediately to the attention of the Organizing Committee.
- 2004.4 Duties of the Jury
- 2004.4.1 The Jury monitors the adherence to the rules throughout the entire competition, including the official training.
- From a technical standpoint particularly by:
- checking the set course,
 - checking the snow conditions on and beside the course,
 - checking the preparation of the course,
 - approving the use of snow compactors and other chemicals,
 - checking the crowd control systems,
 - checking the start, the finish and the finish outrun,
 - checking the first aid service,
 - appointing the course setters,
 - setting the time of course setting,
 - overseeing the work of the course setters,
 - checking the fastening of the gate flags, as to the risk of injury,
 - opening or closing the competition courses for training in consideration of the technical preparations and the prevailing weather conditions,
 - determining the manner of course inspection,
 - inspection of the course before the competition (art. 2004.2.1),

- determining the number of forerunners for each run and setting the start order of the forerunners,
- debriefing the forerunners,
- changing the start order in consideration of course conditions,
- in extraordinary conditions, changing the start intervals,
- giving instructions to and obtaining information from the gate judges,
- checking the judges stand and the judges working conditions.

2004.4.2 Jury Inspection

The Jury must check the course once it has been set by the course setter, paying special attention that:

- the poles are firmly rammed into the snow,
- the gates are in the right color order,
- the position of the poles is marked,
- the numbers are in the right order on the outside poles,
- the poles are high enough above the snow,
- the courses are set far enough apart to avoid misleading the competitors,
- the fencing for each course is far enough from the poles,
- obstacles at the edge of the course are either removed or neutralized,
- the last gate, before the finish, directs the competitors to the middle of the finish,
- the reserve poles are correctly placed not to mislead the competitors,
- the start and finish are in accordance with art. 2056 and 2059.

2004.4.3 From an organizational viewpoint particularly by:

- ranking the competitors for a draw,
- dividing the competitors without points into groups according to some determined basis,
- granting reruns,
- canceling the competition (beforehand) provided:
- the snow cover is too meager on, or beside the course, or the snow surface on the course is badly or unevenly prepared,
- danger areas are insufficiently protected,
- the first aid and medical service are inadequate or at all lacking,
- the crowd control is insufficient,
- if the weather increases the danger for competitors,
- shortening the course, if snow or weather conditions make this appear necessary,
- interrupting the competition if the prerequisites of art. 2063 are present,
- terminating the competition if the prerequisites of art. 2064 are present.

2004.4.4 From a disciplinary viewpoint particularly by:

- deciding to exclude a competitor for lack of physical or technical ability,
- enforcing the regulations concerning advertising on equipment and clothing in the competition area,
- limiting the number of officials, technicians and medical personnel allowed on the competition course,
- pronouncing disqualifications,
- deciding on infractions by team captains, coaches, course setters, service personnel and company representatives, if they are accredited to the competition,
- pronouncing disciplinary measures,
- deciding protests,

- issuing particular directives throughout the entire event.

2004.5 Questions not covered by Rules

In general, the Jury takes decisions on all questions not clarified by the rules.

2004.6 Radios

At all competitions on the USSA calendar, the Jury members must be equipped with radios. These must function on a single reserved frequency and be free of interference.

2005 The Technical Delegate (TD)

2005.1 Responsibilities

The primary duties of the TD are:

- to make sure that the rules and directions of USSA are adhered to,
- to see the event runs in a fair manner,
- to advise the organizers, within the scope of their duties,
- to be the official representative of the USSA.

2005.2 Certification

TD certification is the responsibility of the officials subcommittee.

2005.3 Prerequisites

The TD must hold a valid TD designation.

2005.4 Designation

The TD designation, including the certification level, is indicated on the USSA membership card.

2005.4.1 Continuation and Expiration of TD Designation

Every TD must annually take part in a USSA sponsored continuing education course. A TD, who for two consecutive years without ample cause misses the continuing education course or the TD duty assignment, loses his/her TD designation. In order to be able to regain it, they must complete the TD candidate qualification and requirement again.

2005.5 TD Assignment

2005.5.1 The organizer must establish contact with the TD in good time.

2005.5.2 Cancellations or postponements of events must be announced to the TD and to the USSA office immediately, taking into account any applicable deadlines.

2005.5.3 For all USSA competitions, the TD must arrive at the competition site before the start of official training.

2005.6 TD Replacement

2005.6.1 At all USSA competitions, a substitute for an absent TD is to be named before the team captains' meeting. The replacement must likewise meet the requirements of art. 2006.3

2005.6.2 The replacement TD has the same rights and duties as the TD originally appointed.

2005.7 Duties of the TD

2005.7.1 Before the competition, the TD:

- reviews the information on the course and consults the organizer about the possible existence of a special authorization,
- reads the TD reports about previous events at the site and checks whether the improvements proposed in these reports have been carried out,
- inspects the competition and training courses and checks on the safety measures taken,
- controls the fastening of the gate flags which may constitute any risk of injury to the competitor,

- collaborates in the administrative and technical preparations,
 - checks the official entry lists,
 - checks on the presence of sufficient radios for all members of the Jury,
 - checks the accreditation and the authorization for entry on the course,
 - checks courses with regard to preparation, marking, crowd control, as well as the layout of start and finish areas,
 - supervises the course setting together with the Jury,
 - checks the location of towers and sees they are adequately protected,
 - supervises the locations of the first aid service, as well as the organization of the medical care,
 - checks all technical installations such as timekeeping, hand timing, communications, judges stand, transport of people, etc.,
 - is in the immediate area during all training,
 - takes part in all meetings of the Jury and of the team captains,
 - works closely with the officials of the Organizing Committee,
 - is chairman of the Jury with a casting vote in case of a tie,
 - if necessary, appoints members to the Jury,
 - has the right, if an event cannot be carried out on the selected course because of “force majeure”, to move the event to a substitute course proposed by the organizer.
- This, on the explicit condition that the necessary safety measures can be fulfilled.

2005.7.2 During the competition, the TD:

- must be present in the course area,
- works closely with the Jury, the team captains and the coaches,
- keeps watch on whether the valid rules and directives are obeyed in regard to advertising, etc., on clothing and race equipment,
- keeps watch on the technical and organizational conduct of the event,
- advises the organization concerning the observance of the USSA rules,
- punishes breaches of the rules.

2005.7.3 After the competition, the TD

- helps with the compilation of the Referee’s disqualification report,
- presents properly submitted protests to the Jury for decision,
- signs the official result lists established by the Competition Secretary and gives the authorization for the award ceremony,
- fills out the TD report, including any supplementary reports, and is responsible for their dispatch, within three days, to the USSA office and other appropriate places,
- presents, to the USSA office, any applicable proposals for changes in the competition rules on the basis of practical experience at the event in question.

2005.7.4 In general, the TD:

- decides on questions which are not covered or are insufficiently covered by the USSA rules, in so far as these have not already been decided by the Jury and do not fall within the purview of other authorities,
 - works very closely with the Referee and assistant referee. In critical cases, and above all in decisions on safety and jeopardy of the competitors, the rulings of the TD are binding,
- has the right to:
- order the interruption of a competition, if the prerequisites of art. 2063 are present,

- cause the termination of a competition, if the prerequisites of art. 2064 are present,
- propose to the Jury, the exclusion of competitors from participation in the competition, if the personal safety of the competitors appears endangered because they do not measure up to the difficulties of the course,
- obtain support from the Organizing Committee and all officials under its jurisdiction in all matters necessary to the fulfillment of his/her duties.

2006 Judges (freestyle events)

The judges for a competition will be a qualified group of individuals. Each judge will use score cards which indicate the judge and the name and bib number of the competitor. All score cards will indicate a score for the category utilized to assign a final score. This is a closed scoring system.

2006.1 Number of Judges

At least 4 judges, including a Head Judge, will be appointed for regional and divisional competition. If necessary, at the divisional level the Head Judge may serve as one of the four scoring members of the judging panel.

2006.2 The Head Judge

2006.2.1 The Head Judge for national championships will be appointed by the USSA Snowboard Committee.

2006.2.2 The Head Judge is a member of the Jury.

2006.2.3 An alternate for the Head Judge and for a member of the judges panel should be named and available, if for any reason, an individual is unable to perform his/her duties.

2006.2.4 The Head Judge may or may not serve as a judging member of the judging panel as explained in 2010.1.

2006.2.5 The Head Judge may act as a substitute judge in emergencies.

2006.3 Duties of the Head Judge

2006.3.1 To help coordinate the judges' accommodations, per diem, and related transportation.

2006.3.2 To conduct the team captain's meeting the day before the contest and conduct the judges' briefings and post competition analysis with the judges.

2006.3.3 To attend all necessary course inspections with the TD, the Chief of Course, and the available team captains.

2006.3.4 Brief judges secretaries and ready administrative materials for judging (supplies, scorecards, and comfort items).

2006.3.5 To accept all properly executed protests.

2006.3.6 To insure the appropriate behavior of the judges at all times during the competition.

2006.3.7 To lead all discussions during training and forerunning for the purpose of calibration.

2006.3.8 Determines which judge will be used for specific categories and oversees changes in assignments if appropriate.

2006.3.9 Supervision and control over scoring procedures, including dialogue concerning deviant scores.

2006.3.10 Announcing to the starter when judges are ready for competitors and to articulate to the judges the number of the next competitor.

2006.3.11 Responsible for the control of the judges' stand and all activities that take place upon it.

2006.3.12 Responsible for the calculation and the checking of the score.

2006.3.13 To check the accuracy of all tie-breaking decisions.

- 2006.3.14 To inspect the judge's stand for purposes of approving its location, construction, and sightlines. This inspection shall occur at least one day before the competition day.
- 2006.3.15 To be responsible for the construction of the HP (when appropriate) or to be responsible for the oversight of the HP maintenance during practice and competition with direct coordination by the Chief of Course.
- 2006.3.16 To be the final authority on all judging issues at the competition, and to accept all responsibility for any irregularity in the service provided by the judges to the competition.
- 2006.3.17 To be part of the Jury with the TD, and the Chief of Competition.
- 2006.4 Judges' Responsibilities and Duties
- 2006.4.1 To adjudicate and rank every competitor fairly, without bias, without regard to former impressions, and without regard to the competitor's national or divisional affiliation, race, color or creed.
- 2006.4.2 All judges shall articulate all potential conflicts of interest to the Head Judge.
- 2006.4.3 The judges while in their professional capacity shall refrain from discussing personal viewpoints of the judging to team captains, competitors, and spectators during the course of the competition.
- 2006.4.4 A judge shall be discreet and reasonable in all discussions.
- 2006.4.5 A judge shall not predict outcomes in advance.
- 2006.4.6 A judge shall accept criticism calmly and maintain composure in all situations.
- 2006.4.7 A judge shall not in any way communicate the conduct of any judge in a disparaging manner. Any criticism of a judge's performance or behavior shall be directed to the Snowboard Judges Committee, or the competition Head Judge.
- 2006.4.8 All judges shall be skilled in identifying the various maneuvers that the competitors perform.
- 2006.4.9 Judges shall attend all judges' briefings and post-competition sessions, team captain meetings, and be available to the Head Judge.
- 2006.4.10 All judges need to be able to judge in an effective and timely manner.
- 2006.4.11 To follow the USSA judging criteria in all aspects.
- 2006.4.12 To maintain membership qualifications by attending all necessary clinics, seminars, and competitions.
- 2006.4.13 To hold a valid USSA Official's membership.

2007 Referees (alpine events)

The team captains appoint the Referee and assistant referee. For national championships, the Referee should be from a division other than that of the TD and Chief of Competition.

- 2007.1 In critical cases, especially those involving danger to the competitors, the directions of the TD are also binding for the Referee and assistant referee. In particular, prerequisites should be established by the TD together with the referees, to ensure the best possible technical running of a competition.
- 2007.2 Duties of the Referee and Assistant Referee
- 2007.2.1 Drawing start numbers, if necessary.
- 2007.2.2 Inspection of the course immediately after it is set, alone or accompanied by members of the Jury.
- 2007.2.3 Changing the course by removing or adding gates; if the Referee inspects the course alone, his decision is final. The course setter must be informed of such changes, if he/she was not present at this inspection.

- 2007.2.4 Receiving the reports of the start and finish referees and the competition officials about the infractions of the rules and the gate faults at the end of the first run, and again at the end of the competition.
- 2007.2.5 Checking, signing and posting the Referee's minutes, immediately after each run, on the official notice board and also at the finish. The minutes should include the names of the competitors disqualified, the gate numbers where the faults occurred, the names of the gate judges who noted the faults leading to the disqualifications and the exact time the disqualifications were posted.
- 2007.3 Collaboration with the TD
The Referee and the assistant referee must work very closely with the TD. The assistant referee can substitute for the Referee, if necessary.
- 2007.4 Start Referee
- 2007.4.1 The start referee must remain at the start throughout training and competition. He/She must make sure the rules for starting and the start order are properly observed.
- 2007.4.2 He/She determines late and false starts.
- 2007.4.3 He/She determines the violations against the rules for equipment and immediately takes the measures provided for by the rules.
- 2007.4.4 At the end of the competition, he/she reports to the Referee the names of the competitors who did not start, have made false or late starts or other infringements.
- 2007.5 Finish Referee
- 2007.5.1 The finish referee must remain at the finish throughout training and competition. He/She must make sure that and the rules for finishing are properly observed.
- 2007.5.2 He/She supervises the finish controller, the timing and the crowd control in the finish area.
- 2007.5.3 He/She must be able to communicate, immediately, with the start at all time.
- 2007.5.4 The finish referee must report to the Referee immediately after the competition.
- 2008 Course Setters / Course Builder**
- 2008.1 Prerequisites
All course setters / course builders must be members of USSA. Course setters / course builders for national and regional competitions must have attended USSCA Level I clinic.
- 2008.2 Appointment
Course setters / course builders are appointed by the Jury. Each run of an alpine competition is to be set by a different course setter.
- 2008.3 Supervision of the Course Setter / Course Builder
For all competitions, the Jury supervises the work of the course setter.
- 2008.4 Replacement of the Course Setter / Course Builder
For all competitions, the replacement course setter must have the same qualifications as the original course setter.
- 2008.5 Rights of the Course Setter / Course Builder
- 2008.5.1 Course setters have the right to recommend changes in the course terrain and in the safety procedures.
- 2008.5.2 Availability of a sufficient number of helpers for setting the course, so he/she can concentrate solely on setting the course.
- 2008.5.3 Provided with all necessary materials by the Chief of Course.
- 2008.5.4 Immediate completion of the finishing touches to the competition course.
- 2008.5.5 Choice of the color with which to begin the flagging of the course. Visibility should be the determining factor.

- 2008.6 Duties of the Course Setter
- 2008.6.1 The course setter conducts a pre-inspection of the course terrain in the presence of the TD, the Referee, the Chief of Competition, and the Chief of Course. In order to set the course appropriately, the course setter must respect the terrain, the snow cover and the caliber of the participating competitors.
- 2008.6.2 The course setter is responsible for setting the course. The safety of the competitors must take precedence over all other interests. The Jury is empowered and obligated to take all appropriate measures for the benefit of competitor safety.
- 2008.6.3 Course setters must take care to set symmetrical courses that do not favor goofy or regular competitors.
- 2008.6.4 SL courses must be completely set and ready no later than one and a half hours before the start and GS courses no later than one hour before the start, so the competitors are not disturbed during course inspection by work on the course.
- 2008.6.5 The course setter must take care that the difference between the winning times of each run will not be too great.
- 2008.6.6 The course setter is solely responsible for the set course. While the course should reflect the concepts of the course setter, the rules must be observed in every respect.
- 2008.6.7 The course setter must participate in all team captains' meetings at which a report is to be made about the set course.
- 2008.6.8 The course setter must cooperate with the Jury members.
- 2008.7 Assistance
Assistance must be provided for the course setter, at a time to be fixed by the Jury, so the course setter can concentrate on actually setting the course and not be distracted by fetching poles, etc.
- 2008.8 Arrival at the Competition Site
The course setter should arrive before the first team captains' meeting.

2051 Forerunners

- 2051.1 The organizer is obliged to provide at least three qualified forerunners. The forerunners must be members of USSA. In extraordinary conditions, the Jury may increase the number of forerunners. The Jury may designate different forerunners for each run.
- 2051.2 The forerunners must wear forerunner's start numbers (bibs).
- 2051.3 The nominated forerunners must exhibit sufficient snowboarding ability to cover the course in competition fashion.
- 2051.4 Competitors disqualified in the first run are not permitted to start as forerunners in the second run. Competitors suspended for disciplinary reasons cannot be named as forerunners.
- 2051.5 The Jury determines the forerunners and their start order. After an interruption of competition, additional forerunners may be authorized as needed.
- 2051.6 The times of the forerunners may not be published.
- 2051.7 Upon request, the forerunners shall report to members of the Jury regarding the snow conditions, the visibility and the course.

2052 Competitors' Clothing and Equipment

- 2052.1 Bibs
Shape, size, lettering and attachment method may not be altered on penalty of disqualification. The number must be at least 12 cm high and easily legible. The individual letters may not exceed 8 cm in height. Bibs can carry a commercial name or commercial marks if every bib has the same marking. No names that appear on hardware products (snowboards, bindings, boots, and protective gear)

can appear on bibs.

2052.2 Retention devices and leashes

Safety leashes are optional unless required by the organizer or the ski area.

2052.3 Snowboards

Snowboards must have a minimum width as described:

Gliding Surface Length	Minimum Width
up to 135 cm	14 cm
more than 135 cm	16 cm

2052.4 Bindings

Bindings must be fixed diagonally on the long axis of the board. Boots cannot overlap each other.

2052.5 Helmets

Helmets are mandatory for all USSA Snowboard events during inspection, training and competition. All competitors and forerunners must wear helmets manufactured for snowboarding /or ski racing allowing clear vision. It is strongly recommended that competitors consider utilization of back protection.

USSA neither specifies nor recommends any particular helmet design or brand name and undertakes no responsibility or liability in connection with the requirement that helmets be utilized. It is the sole responsibility of the competitor to select an appropriate helmet for accident protection in snowboard competition.

Caution: The protective qualities of all safety helmets are affected by age and use. Some older helmets and any helmets that have been damaged either in a fall or from other impact may no longer provide sufficient protection - even if there are no visible indications of damage. USSA neither specifies nor makes any warranties as to the fitness for use of any particular ski helmet nor assumes any responsibilities or duties to any competitor by requiring the use of a helmet.

2052.6 Other Equipment

Competitors are not allowed to use any kind of device to additionally support their balance or reduce or accelerate their speed.

2052.7 Advertising

The advertising on clothing and equipment worn during competition and training must conform to the rules as stated in articles 208 and 209.

2053 Age Classification

Based upon age as of Dec. 31 of the competition season

Menehune	ages 12 and under
Junior 3	ages 13 and 14
Junior 2	ages 15 and 16
Junior 1	ages 17 and 18
Senior	ages 19 to 24
Master	ages 25-34
Legend	ages 35-49
Methuselah	ages 50 and older

2054 Timing (alpine events)

2054.1 Communication

There must be communication (radios) between the start and finish.

2054.2 Electric Timing

For all competitions, two homologated electric timing systems with printed strips, operating in time of day mode and allowing the measurement of the times to be

truncated to 1/100th of a second will be used. 1/1000th of a second, even when measured and recorded may not be published or used even when competitors are tied in the same 1/100th of a second. If wireless timekeeping is used it may be applied only to the secondary timing system.

2054.2.1 The posts supporting the starting gate should be approximately 60 cm apart and shall not project more than 50 cm above the snow. Additional posts may be secured in place to “push off” if the timing gates cannot be used for the push off.

2054.2.2 The starting gate, consisting of a starting mechanisms connected on to a wand, will be placed so that starting is impossible without its opening.

2054.2.3 Cables are installed between start and finish.

2054.2.4 Photoelectric cells are placed at such a height that a competitor finishing normally, cuts the beam with the lower half of his/her legs, between the ankle and the knee.

2054.2.5 Light barrier transceiver cells are recommended instead of cells with reflectors because of the distance between posts and security.

2054.2.6 The official timing strips from the printer will be given to the TD. They will be kept until the official approval of the race.

2054.3 Hand Timing

For all USSA competitions, back up hand timing must record to the 1/100th of a second. It must be completely separate and independent of the electric timing at the start and finish. The watches must be synchronized with the electric timing.

2054.4 Score Board

Organizers shall provide appropriate facilities for continuous visual or acoustic presentation of all registered times or scores of all competitors.

2054.5 Timing of Finish

2054.5.1 With electric timing, the time is taken when a competitor crosses the finish line with any part of their body or equipment, breaking the beam between photocells.

2054.5.2 With hand timing, the time will be taken when any part of the competitor crosses the finish line. The finish controller determines the correctness of passage across the finish line.

2054.5.3 In case of a fall at the finish, the time can be taken without both of the competitor’s feet having crossed the finish line. For the registered time to become valid, the competitor must immediately completely cross the finish line with at least one foot attached to the board.

2054.5.4 In case of a failure in the main electric timing system, the results of the backup electric timing will be valid.

2054.6 Utilization of times taken by hand

Hand times may be used in the official results after a correction has been calculated.

2054.6.1 Hand Time Correction Calculation (E.E.T)

Calculate the difference between the times taken by hand and the electric times of the 5 competitors starting before the missing time and the 5 starting after, or if necessary, the 10 nearest competitors.

The two times showing the greatest difference are eliminated.

The sum of the remaining 10 time differences is divided by 10 to give the correction that must be applied to the hand time of the competitor without an electric time. (The E.E.T worksheet in the event package is used for this calculation.)

2054.7 Private timing of the teams

Any request to install private timing equipment has to be made to the Jury by the team captain concerned, and the Jury decides concerning approval of the installation.

2055 Start and Finish Officials

2055.1 Starter

2055.1.1 For freestyle events, the starter must have radio contact with the Head Judge during training and competition.

2055.1.2 For alpine events, the starter must synchronize his/her watch with those of the assistant starter and the chief timekeeper within ten minutes of the start. The starter is responsible for the warning signal and the start command, as well as for the accuracy of the intervals between these signals. He/She assigns the supervision of the competitors to the assistant starter.

2055.2 Assistant Starter

The assistant starter is responsible for calling the competitors to the start in their correct order.

2055.3 Start Recorder (alpine events)

The start recorder is responsible for recording the actual start times for all competitors in alpine events.

2055.4 Chief Timekeeper (alpine events)

The Chief Timekeeper is responsible for the accuracy of the timing. He/She synchronizes the watches with the starter as shortly before and after the competition as is possible. He/She must publish unofficial times as quickly as possible (on the scoreboard). If the electric timing fails, the chief timekeeper must communicate immediately with the start referee and the TD.

2055.5 Assistant Timekeeper (alpine events)

Two assistant timekeepers operate stopwatches according to art. 2054.3. One assistant timekeeper maintains a complete record with the registered times of all competitors.

2055.6 Finish Controller/Chief of Finish (SBX)

The finish controller has the following duties:

Supervision of the section between the last gate and the finish.

- supervision of the finish,
- supervision of the proper crossing of the finish line,
- recording the finishing order of all competitors who complete the course.

2056 The Start

2056.1 Start Area

The start area must be closed off to everyone except the starting competitor, accompanied by only one coach and the start officials. The start area must be protected appropriately against inclement weather. A special roped off area must be provided for coaches, team captains, service personnel etc., in which they may take care of the waiting competitors without being interrupted by the public. An adequate shelter must be prepared for the competitors waiting for the call to start.

2056.2 Start Ramp

The start ramp shall be prepared in such a way that the competitors can stand relaxed on the starting line and can quickly reach full speed after leaving the start.

2056.3 Start Procedure

No official or attendant who could possibly give an advantage to or cause disturbance may be behind the competitor at the start. All outside help is forbidden. By order of the starter, the competitor must take his place behind the wand or start mechanism. The starter must not touch the competitor at the start. Pushing off by competitor from the start posts or other similar aids is allowed.

2056.4 Start Signals/Commands

2056.4.1 For all single timed events (GS, SL, SBX) the start signal is as follows:

Ten seconds before the start, the starter will tell each competitor "Ten Seconds". Five seconds before the start, he shall count "5, 4, 3, 2, 1" and then give the start command "Go – Partez – Los".

If possible, an automatic audible signal is to be used. The starter will let the competitor see the start clock.

2056.4.2 For Parallel events the start command is as follows:

Before the starter gives the command – "Go" or a single audible signal, he must first ensure that the competitors are ready by asking: "red course ready, blue course ready, attention".

"Riders ready" only can be used in connection with an audible command (series of short beeps followed by one louder starting beep when doors open).

2056.4.3 For Freestyle events (HP, BA, SBS) the start command is as follows:

Before the starter gives the command "Go" to the next competitor he must wait till he receives a "Judges Ready" from the Head-Judge. The starter confirms to the Head-Judge for example "bib number 22 dropping in right (or left)".

2056.4.4 For SBX Finals the start command is as follows:

"Riders ready – attention" – randomly 1–4 seconds before the doors open (this 1–4 seconds is up to the starter).

2056.5 Start Timing

The start timing shall measure the exact time the competitor crosses the start line with his/her leg, below the knee.

2056.6 Delayed Start

A competitor who is not ready to start on time will be sanctioned. The Start Referee may, however, excuse such a delay if, in his opinion, the delay is due to "force majeure".

For example, breakdown of a competitor's personal equipment or minor sickness of a competitor does not constitute "force majeure".

In case of doubt, the Start Referee may allow a provisional start, which start must be confirmed or denied by the Jury.

2056.6.1 In the case of fixed start intervals, the delayed competitors may start at the fixed interval after he/she has reported to the start referee, in accordance with the decision of the start referee

2056.6.2 In the case of irregular start intervals, the delayed competitor will start at the discretion of the start referee.

2056.6.3 The start referee will make all the decisions in the case of a delayed start. At the conclusion of the competition, he/she must immediately inform the Referee of the start numbers and names of competitors who were not allowed to start because of late appearance, or who were allowed to start in spite of late appearance, or who were allowed to start provisionally.

2056.7 Valid and False Starts

The Start Referee makes the decisions after consultation with the Jury and must record the start numbers and names of competitors who were sanctioned by not being allowed to start because of late appearance, or who were allowed to start in spite of late appearance, or who were allowed to start provisionally. The operative theory here is one of determining competitor advantage.

2056.7.1 A competitor must leave the start with both feet attached to the board in all alpine events.

2057 Public Address System

- 2057.1 Music may be used in all events but is recommended for HP. The sound system must be powerful enough so the competitor can hear the music clearly and without distortion while on any part of the course. The speakers must be on the side(s) of the course and evenly distributed from top to bottom, so the sound will reach the competitor simultaneously on the course.
- 2057.2 The Chief of Sound will be in radio contact with the competition officials at all times.
- 2057.3 The Chief of Sound is responsible for the music during the competition and the cueing of tapes.
- 2057.4 Music will not contain foul or obscene language.

2058 The Course and Competition

2058.1 Homologation

All courses must comply with standards set by the USSA SCC. Technical specifications are defined in articles 2100 - 3000.

2058.2 Visibility

When visibility is poor, pine boughs or dye shall be used to spread on the sides of the course to aid in depth perception.

2058.3 Warm up slope

Appropriate warm up slopes, closed to the public, must be made available for all courses.

2058.4 Closing or Modifying the Course

2058.4.1 On a closed course, no one except for the Jury is permitted to change gates, flags etc. or modify the course structure (jumps, bumps, etc.).

2058.4.2 Competitors who enter a closed competition course at times other than those published by the Jury may be disqualified. Trainers, servicemen, coaches etc. who are allowed on a closed competition course are to be determined by the Jury. Similarly, the number and places for photographers and camera teams, insofar as they are situated inside the barriers, must be approved by the Jury.

2058.5 Gate Poles (alpine events)

All poles used in the alpine events are divided into rigid poles and flex poles.

2058.5.1 Rigid Poles

Round, uniform poles with a diameter between 20 mm and 32 mm, without joints, are allowed as rigid poles. They must be of such a length that, when set, they project at least 1.80 m out of the snow and they must be made of a non-splintering material (plastic, plasticized bamboo or material with similar properties).

2058.5.2 Flex Poles

Flex poles must conform to the rigid pole specifications but are fitted with a spring-loaded hinge.

2058.5.2.1 Stubby Poles

Stubby poles are flex poles with not more than 20 cm of pole above the hinge. Stubby poles must be padded on the end.

2058.5.3 Spare Gate Poles

Spare poles shall be placed so that they do not mislead the competitors.

2058.5.4 The Chief of Course must provide enough of the following:

- blue and red slalom poles,
- a corresponding number of flags, divided by colors,
- sledgehammers, crowbars, drills, wedges, etc.,

- gate numbers,
- spare poles,
- and dye for marking the position of the poles.

2058.5.5 Marking Gates

The positions of the gate poles are to be marked with an easily recognizable coloring substance that remains visible throughout the entire race.

2058.5.6 Numbering Gates

The gates must be numbered from top to bottom of the course and the numbers attached to the outside pole. Start and finish are not counted.

2059 The Finish

2059.1 Finish Area

2059.1.1 The finish area must be plainly visible to the competitor approaching the finish. It must be wide, with a gently sloped smooth outrun. It must be well prepared and smoothly packed to make stopping easy.

2059.1.2 In setting a course with gates, particular attention shall be paid to directing competitors across the finish on a natural line adapted to the terrain.

2059.1.3 Foam rubber or other appropriate protection shall be used to prevent any possibility of a collision with the finish structures.

2059.1.4 The finish area shall be completely fenced. Any unauthorized entry must be prevented. Barricades shall be placed so colliding with them does not injure the competitors.

2059.2 Finish Line (see diagram in Course Standards section)

2059.2.1 The finish line is marked by two protected posts (or three or four for Parallel events) or vertical banners which are connected by a horizontal banner.

In PSL/PGS each finish must be at least 8 m wide (together minimum 16 m), in GS and SBX the finish must be no less than 10 m wide. In HP the finish line position will be decided by the Head-Judge and extends from roll out deck to roll out deck across the bottom of the pipe (the finish line is the last take off point for judging).

In exceptional cases, the Jury can decrease this distance for technical and security reasons or because of the terrain. The width of the finish is considered to be the distance between the two finish posts or banners. The timing supports must also be at least this far apart and are to be protected so as to not present a security issue. The timing supports can usually be placed directly behind the finish posts or banners, on the downhill side. The finish line must be clearly marked horizontally with coloring substance.

2059.2.2 The finish line must be clearly marked with dye.

2059.3 Crossing the Finish Line

- The finish line must be crossed with at least one foot attached to the board.
- With both feet in the case of a fall in the immediate finish area. In this case the time is taken when any part of the competitor's body or equipment stops the timekeeping system.
- In SBX the competitor's place of finish is determined when any part of the body or snowboard crosses the finish line.

2060 Reruns

2060.1 Prerequisites

2060.1.1 A competitor who is hindered during competition by the error of an official, by a spectator, by an animal, or by any other justifiable causes can apply to any member of the Jury for a rerun immediately after the occurrence of the interference. The team captain of the hindered competitor can also make this claim. The competitor

must leave the course immediately after the interference and may not snowboard further down the course. (Does not apply in SBX Finals.)

- 2060.1.2 In special situation or other technical failures i.e. failure of start gate(s) or timing systems, the Jury may order a provisional re-run.
- 2060.1.3 If a competitor is stopped by a yellow flag in SBX, he has the right to request a provisional re-run, under the condition that the Jury considered this possible from an organizational point of view. The Jury should ensure that the competitors provisional re-run take place before the last competitor on the start list.
- 2060.2 Grounds for Interference
 - 2060.2.1 Blocking of the course by an official, a spectator, an animal or other hindrance.
 - 2060.2.2 Blocking of the course by a fallen competitor, who did not clear the course soon enough. (Does not apply in SBX final.)
 - 2060.2.3 Objects in the course such as equipment of a previous competitor. (Does not apply in SBX.)
 - 2060.2.4 Activities of the first aid service which hinder the competitor.
 - 2060.2.5 Absence of a non-marked gate knocked down by a previous competitor, and not promptly replaced. (Does not apply in SBX finals.)
 - 2060.2.6 Malfunction of the scoring system.
 - 2060.2.7 Other similar incidents, which beyond the will and control of the competitor, cause significant loss of speed or affect the competitor's performance. (Does not apply in SBX.)
 - 2060.2.8 Competitors who continue after an interference will lose the right to claim a rerun. (Does not apply in SBX.)
- 2060.3 Validity of a Rerun
 - 2060.3.1 If the Referee or another Jury member is unable to question the appropriate officials immediately to judge the justification for the rerun, he/she may, to avoid delay for the competitor, grant a provisional rerun. This rerun will be valid only if the Jury confirms it.
 - 2060.3.2 If the competitor was already disqualified before the incident entitling him to request a provisional rerun, the rerun is not valid.
 - 2060.3.3 The provisionally or definitively approved rerun remains valid even if it proves slower than the first (original) run.
 - 2060.3.4 If the claim for rerun is shown to be unjustified, the competitor is disqualified.
- 2060.4 Start Time of the Rerun
 - 2060.4.1 In case of fixed start intervals, the competitor may start a provisional re-run at the fixed interval, after he has reported to the start referee. The start referee's should allow the competitors a reasonable amount of time to compose themselves prior to such start.

2061 Calculation and Announcement of Results

- 2061.1 Unofficial Results
 - Results shall be considered unofficial until approved by the TD. Unofficial results shall be posted on a score board which shall be readily visible from the area provided for the competitors who have finished. Whenever possible, unofficial results should be announced to the public over loudspeakers. In HP, SBX and SBS events a scoreboard should be provided at both the top and bottom of the course.
- 2061.2 The Chief of Calculations
 - The Chief of calculations is responsible for quick and accurate calculation of results. He/She supervises the immediate duplication of unofficial results and the publication of official results after expiration of the protest interval, or after any

protests have been decided.

2061.3 Announcement of Unofficial Results and Disqualifications

As soon as possible after completion of a competition, unofficial results and disqualifications shall be announced on the official notice board and at the finish. The time limit for protest is counted from the moment of this announcement.

2061.3.1 Official Notice Board

The announcement of unofficial results at the finish and start, together with written and verbal announcement of disqualifications, may replace the announcement on the official notice board. In this case it may be decided that protests can be delivered orally to the Referee at the finish immediately, or within 15 minutes after the announcement of the disqualification and that protests entered after are considered null and void. The team captains must be informed beforehand.

2061.4 Official Results

Official results are determined from the official times, scores or finishes (SBX) of those competitors who have been officially classified.

2061.4.1 If two or more competitors have the same time, the same score, the same number of points or the same place and the tie cannot be broken pursuant to the rules, they will receive the same place (points) but the competitor with the higher start number shall be listed first on the official list of results.

2027.4.2 The official result list must contain the following:

- the name of the organizing club or association;
- the name of the competition, the site, discipline and category (men or ladies);
- the date of the competition;
- all technical data such as the name of the course, altitude at start and finish, vertical drop, the length of the course, number of features, course builder, Inclination HP, Height of BA jump, Inclination landing in BA, etc.
- the names and nations of the members of the Jury and the Judges;
- for each run, the names and nations of the course setter and the forerunner(s), and if applicable the number of gates and the start time;
- the weather, the snow conditions on the course and the air temperature at start and finish areas;
- all details concerning the competitors, finish order, start number, FIS competitor code number, name and first name, nation time and competition points;
- the start number, USSA competitor code number, name, first name and nation of those competitors who were not at the start, did not finish or were disqualified in each run;
- the names of the official service companies, e.g. timing company, computer service etc.

Complete Scoring Calculations (i.e.: individual Judges scores, total score applicable for each run and category of judging; the signature of the Technical Delegate.

- the signature of the Technical Delegate

2027.4.3 The result lists (official and unofficial) as well as the start lists must be printed on white paper:

2062 Award Ceremony

The award ceremony may not be held before the completion of the competition and not before the TD has authorized the results.

2062.1 The organizer has the right to present, before this time, the probable winners. This presentation is unofficial and is organized at a place different from that of the official award ceremony.

2062.2 Competitors inexcusably absent from the award ceremony will lose their right to a prize.

2063 Interrupted Training or Competition

If an interrupted competition cannot be finished on the same day, it is to be treated as a terminated competition.

2063.1 Interruption by the Jury

2063.1.1 The Jury may interrupt a competition for the competitors' safety or to allow a fairer and more consistent course for all competitors. In such cases the time and duration of interruptions should, if possible, be published before the competition.

2063.1.2 The Jury may interrupt a competition for unfavorable or inconsistent weather and snow conditions.

2063.1.2.1 The competition is to be restarted, as soon as the work on the course has finished and if the weather and snow conditions have changed so a proper competition can be assured.

2063.1.2.2 A repeated interruption of the competition ordered for the same reason should lead to a termination.

2063.2 Interruption by the Jury

2063.2.1 The Jury may interrupt a competition

- when there is an increased risk for the competitors,
- when unforeseen incidents and risks have occurred,
- when wind conditions warrant.

2063.3 Brief interruption

Each member of the Jury is entitled to order a brief interruption of the competition.

2064 Terminated Training or Competition

2064.1 Termination by the Jury

The Jury may terminate a competition

- if the competitors are endangered by outside influences,
- if different conditions arise or the proper conduct of the competition is no longer guaranteed.

2064.2 Termination by the Jury

The Jury may terminate a competition if the competitors' safety can no longer be guaranteed, i.e. heavy fog or strong gusts of wind or rain, and an improvement can no longer be expected.

2065 Disqualifications

2065.1 A competitor may be disqualified by the Jury:

- if they do not fulfill the eligibility conditions according to the art. 206 and 212,
- if they violate the rules in the art. 207, 209, 211, 216, 218, 219, 220, or 221,
- if they violate the other rules providing for possible disqualifications,
- if they violate decisions of the Jury,
- if they behave in an improper way towards members of the Jury, the Organizing Committee or the Competition Committee.

2065.2 A competitor shall be disqualified by the Jury if they:

2065.2.1 participate in the competition under false pretenses.

2065.2.2 either jeopardizes the security of persons or property or actually causes injury or damage. Is determined to have caused interference to another competitor.

2065.2.3 train on a closed course; alter the course in a manner forbidden according to art. 358.4 or act contrary to the instructions of the Jury in training or competition.

2065.2.4 does not wear acceptable helmet pursuant to the rule or the official start number in

- training, at the inspection, in the competition or alters this start number in anyway.
- 2065.2.5 appears late at the start, makes a false start or violates the regulations for the execution of the start.
- 2065.2.6 fails to cover the course on their board or pass the finish in accordance with 2008.11.2.
- 2065.2.7 accepts outside help in any form during the competition.
- 2065.2.8 fail to give way to an overtaking competitor at the first call or interferes with their run. (Does not apply in SBX.)
- 2065.2.9 Unjustifiably request a rerun, which is later shown to be unsubstantiated.

2066 Disciplinary Actions by the Jury

- 2066.1 Against Competitors
 - 2066.1.1 Oral reprimand.
 - 2066.1.2 Written reprimand that is to be sent to the USSA office.
 - 2066.1.3 Suspension from the next discipline, if any, at the same event, without the possibility of entering a substitute, if the start order has already been determined.
 - 2066.1.4 Suspension for seven days following the competition in question (the day of the competition in question is not counted) from participating in any competition included in the USSA competition calendar; for a repeated offense, the suspension period can be doubled.
- 2066.2 Against Officials, Team Captains and Coaches
 - 2066.2.1 If the team captains, coaches or officials violate the rules or the decisions of the Jury (art. 222.2 and 222.3), the Jury can impose the following penalties:
 - 2066.2.1.1 Oral reprimand.
 - 2066.2.1.2 Written reprimand that is to be sent to the USSA office.
 - 2066.2.1.3 Money fine (art. 222.2).
 - 2066.2.1.4 Withdrawal of accreditation for a specific period of time.
 - 2066.2.1.5 The USSA office is to be informed immediately of any disciplinary measures.

2067 Protests

- 2067.1 Types of Protests
 - 2067.1.1 Against admittance of competitors or their competition equipment.
 - 2067.1.2 Against the course or its condition.
 - 2067.1.3 Against another competitor or against an official during the competition.
 - 2067.1.4 Against disqualifications
 - 2067.1.5 Against timekeeping or score calculations.
 - 2067.1.6 Against instructions of the Jury.
- 2067.2 Submission of Protests

Various protests are to be submitted as follows:

 - 2067.2.1 Protests, according to articles 2067.1.1 – 2067.1.6 shall be submitted at the location designated on the official notice board or at a place announced at a team captains' meeting.
 - 2067.2.2 Protest according to the art. 2067.1.6 and 2063 shall be submitted to the USSA office.
 - 2067.2.3 A Jury may only accept a protest if it is based upon physical evidence.
 - 2067.2.4 A Jury is only permitted to re-evaluation its previous opinions where new physical evidence exists that relates to the original jury opinion.
 - 2067.2.5 All Jury decisions are final, except those that may be protested or appealable under the rules contained herein.

- 2067.3 Protest Deadlines
- 2067.3.1 Against the admittance of a competitor, shall be submitted before the start order for the first run is determined.
- 2067.3.2 Against the course or its condition, shall be submitted not later than 60 minutes before the beginning of the competition.
- 2067.3.3 Against another competitor or competitor's equipment or against an official because of irregular behavior during the competition, shall be submitted within 15 minutes after the last competitor has passed the finish. For SBX Finals and PGS Finals before the next heat begins.
- 2067.3.4 Against disqualification because of an irregular execution of the competition, shall be submitted within 15 minutes after the posting of the disqualification.
- 2067.3.5 Against the timekeeping, shall be submitted within 15 minutes after the posting of the unofficial result list.
- 2067.3.6 Against all other decisions of the Jury, immediately and no later than 15 minutes after the posting of the disqualification.
- 2067.3.7 Protests concerning false calculations or clerical errors shall be considered, if sent by registered letter to the USSA office, at any time within one month of the date of competition. If a mistake is found, a corrected result list shall be published and the prizes redistributed.
- 2067.4 Forms of Protests
- 2067.4.1 Protests shall be submitted in writing, except for protests according to the art. 2067.3.3, 2067.3.4 and 2067.3.5, which may be made verbally (art. 2067.3).
- 2067.4.2 Protests must be substantiated in detail. Proof must be submitted and evidence must be included.
- 2067.4.3 For divisional and regional events, \$100.00 must be deposited with the protest. This deposit will be returned if the protest is upheld; otherwise it goes to the organizer.
- 2067.4.4 The protesting party may withdraw a protest before the Jury decision is made public. In this case, the deposit must be returned. However, withdrawing the protest is no longer possible when the Jury or a member of the Jury makes an intermediate decision.
- 2067.4.5 Protests not submitted on time or submitted without the protest deposit shall not be considered.
- 2067.5 Authorization
 - Only coaches, team captains and competitors are authorized to submit protests.
- 2067.6 Settlement of Protests by the Jury
- 2067.6.1 The Jury meets to settle protests at a predetermined place and time.
- 2067.6.1.1 For protests dealing with gate passage, the gate judge and, if needed, also the gate judge of the adjacent gate combinations or other involved officials, the competitor in question and the protesting team captain or coach are invited to attend the Jury meeting. Any additional evidence such as videotape, photos or films should be checked by the Jury.
- 2067.6.2 Only the Jury members are to be present for the vote. The TD chairs the proceedings. Minutes of the proceedings are to be kept and signed by the TD.
- 2067.6.3 Any decision requires a majority of all voting members of the Jury, not just of those present. In case of a tie, the TD's vote is decisive.
- 2067.6.4 The rules on which decisions are based shall be applied and interpreted in such a way that the integrity of the competition is guaranteed.
- 2067.6.5 The decision is to be made public immediately after the proceedings by posting on the official notice board with the posting time stated.

2068 Appeals

Appeals against the decision of the Jury and protests against the decision of the TD (art. 2067.1) for cancellation, interruption, or termination of a competition, shall be made to the USSA office within 24 hours of the announcement of the decision in question.

2068.1 Right of Appeal

An appeal can be made

- against the decisions of the Jury,
- against the decision of the Jury to terminate a competition,
- against the official results.

2068.2 All appeals must be submitted to the USSA office. Detailed instructions on submitting jury appeals are provided in the USSA bylaws.

2068.3 Appeals against Jury decisions are to be submitted within 24 hours after their publication. Appeals against official results are to be submitted within 30 days.

2068.4 Appeals are decided by the national appeals committee.

2068.5 Evidence must be submitted in writing with substantiating proof. The national appeals committee must decline evidence submitted too late.

2070 Gate Judges (alpine events)

2070.1 Responsibilities

2070.1.1 Gate judges observe the passage of competitors through the gates. Each gate judge must have a thorough knowledge of the competition rules.

2070.1.2 The gate judge's decision must be clear and nonpartisan. His/Her conduct must be calm, watchful and prudent. In case of a doubt, the gate judge should give the competitor the benefit of doubt.

2070.1.3 The gate judge must declare a fault only when he/she is convinced that a fault has been committed. In case of a protest, he/she must be able to explain clearly and definitively how the fault was committed.

2070.1.4 If the gate judge is in doubt whether a fault has occurred, he/she must make a careful investigation. He/She can consult the adjacent gate judge in order to confirm his/her notes. He/She can even demand, via a member of the Jury, that the race be briefly interrupted so he/she may check the tracks on the course.

2070.1.5 The opinions of the public cannot be allowed to influence the gate judges' judgment. Likewise, they may not accept the opinions of witnesses, even though they may be experienced ones.

2070.1.6 The responsibility of the gate judge begins with the competitor approaching the first gate they control and ends when the competitor has passed through the last gate under their jurisdiction.

2070.1.7 It can happen, despite close observation, a competent gate judge does not recognize a fault committed by a competitor or judges a fault in error. When an adjacent gate judge or a member of the Jury makes a report concerning a competitor which differs from the notes of the gate judge in question, the Jury will freely interpret these notes in view of a possible disqualification of a competitor or of a decision concerning a protest.

2070.2 Responsibility to the Competitor

2070.2.1 A competitor, in case of an error or a fall, can turn to the gate judge and question him or her. The gate judge must inform the competitor if he/she has committed a fault that would lead to disqualification. With a clear, decisive voice, the gate judge answers the competitor's question with one of the following words:

- "Go!" if the competitor should expect no disqualification, since the gate judge has

- ruled the gate passage as correct;
 - “Back!” if the competitor may expect disqualification.
- 2070.2.2 The competitor is fully responsible for his/her action and, in this respect, cannot hold the gate judge liable.
- 2070.3 Immediate Announcement of Disqualifying Faults
 - 2070.3.1 Particularly in SL the gate judge can immediately signal a disqualifying fault.
 - 2070.3.2 The immediate indication of a disqualifying fault can be made in the following ways:
 - in good visibility, by raising a flag of a particular color,
 - in bad visibility or fog, by a sound signal,
 - by other means, as provided by the organizers.
 - 2070.3.3 Immediate announcement does not relieve the gate judge from recording the fault on his/her gate card.
 - 2070.3.4 The gate judge is required to give information to the Jury members on request.
- 2070.4 Duties of the Gate Judge after Each Run
 - 2070.4.1 In accordance with the instructions given by the Jury, the Chief Gate Judge (or assistant gate judge) collects all the gate cards and then passes them on to the Referee.
 - 2070.4.2 At the conclusion of the first run, the Chief Gate Judge distributes the gate cards for the second run.
- 2070.5 Duties of the Gate Judge after the Competition
 - 2070.5.1 Each gate judge who has recorded a disqualifying fault or who has been witness to an incident leading to a rerun must be available to the Jury until after the settlement of any protests.
 - 2070.5.2 It is the responsibility of the TD to dismiss a gate judge who is waiting to be called by the Jury.
- 2070.6 Additional Duties of the Gate Judge
 - 2070.6.1 After completing the gate card, the gate judge must shift immediately to other duties.
 - 2070.6.1.1 Replace gate poles vertically (a leaning pole can aid or hinder a competitor).
 - 2070.6.1.2 Replace knocked out poles in their exact positions; the position is marked by the dye in the snow.
 - 2070.6.1.3 Replace, if possible, torn or missing flags or banners.
 - 2070.6.1.4 Replace broken gate poles according to color (blue or red); the pieces of broken poles must be stored in a way that will not endanger competitors or spectators.
 - 2070.6.1.5 Maintain and repair their section of the course.
 - 2070.6.1.6 Keep the course clear.
 - 2070.6.1.7 Remove any markings made on the course by competitor or third parties.
 - 2070.6.1.8 If no control personnel have been designated for their section of the course, the gate judge must take care that all persons (spectators, photographers, other competitors, etc.) maintain sufficient distance from the course, so the competitor is not hindered in any way during their run.
 - 2070.6.1.9 The gate judge, in accordance with orders from the Jury, must direct accredited persons to the most favorable places where they can do their work without hindering the competitors.
 - 2070.6.1.10 The gate judge must watch that the instructions issued by the Jury are adhered to (training opportunities, approved kinds of training, inspections, time schedules, etc.).

- 2070.6.1.11 If a competitor is hindered during their run, they must immediately leave the course and report to the nearest gate judge. The gate judge must enter the circumstances of the incident on his/her gate card and have this available for the Jury at the end of the run. The gate judge must request the competitor in question to report immediately to the Referee or another Jury member.
- 2070.7 Location of the Gate Judge
- 2070.7.1 The gate judge must choose an isolated location. He/She must be placed so they can properly observe the terrain, gates and the course sections that he/she oversees. The gate judge should be near enough to be able to take prompt action, but distant enough not to hinder the competitor. The gate poles and gates must be clearly visible to the gate judge at all times.
- 2070.7.2 The organizers are obligated to outfit the gate judges so that they are readily identifiable. Clothing should not be the same color as the gate flags.
- 2070.8 Number of Gate Judges
- 2070.8.1 The organizer is responsible for having a sufficient number of competent gate judges available. They may have them assembled, if necessary, for final instructions in the presence of the Chief Gate Judge. If needed, the TD can participate in this session.
- 2070.8.2 The organizer must inform the Jury of the number of gate judges available for training and the competition.
- 2070.9 Support and Equipment for the Gate Judges
- 2070.9.1 The organizers should supply a number of replacement gate judges to replace gate judges during a competition (or for the second run) should there appear to be a need.
- 2070.9.2 The organizer must provide the gate judges with some form of nourishment at their positions.
- 2070.9.3 At particularly difficult places where poles are often knocked down or broken, it is advisable that an assistant be assigned to help the gate judge.
- 2070.9.4 The equipment necessary for the proper fulfillment of the gate judge's functions must be anticipated and put at his/her disposal. In particular:
- a plastic cover for the gate card to protect it against snow and water.
 - a pencil, if possible attached to the cover by a string, and a spare pencil.
 - a few sheets of blank paper to note any incidents.
 - The necessary tools to work on keeping the course in proper condition: shovel, rake, crow bar, drill, wedges, etc.
 - Enough replacement poles of the right colors. These replacement poles must not confuse the competitors. They must be placed far enough away from the course, on the gate judge's side, planted obliquely in the snow, pointed ends down so as not to be dangerous and, if possible, with a banner or flag already attached.
- 2070.10 Gate Cards
- 2070.10.1 Every gate judge receives a check card with the following notations:
- name of the gate judge,
 - number(s) of the gate(s),
 - designation of the run (1st or 2nd).
- 2070.10.2 If a competitor does not pass a gate correctly according to art. 2008.11, the gate judge must mark the following on the gate card:
- the bib number of the competitor,
 - the gate number where the fault was made,
 - the letter "F" (fault),

- a drawing of the fault committed (sketch map is absolutely required).
- 2070.10.3 The gate judge must also watch that the competitor accepts no outside help (in the case of a fall). A fault of this nature must likewise be entered on the check card.
- 2070.11 Gate Passage
- 2070.11.1 A gate has been passed correctly when the competitor has at least the front foot fixed in the binding on the board and the entire board crosses the gate line. In case of a fall, the competitor must pass through the turning line.
- 2070.11.2 The gate line in SL, PSL, GS, SG and SBX is the extension of the line past the turning pole which connects the points at the base of the banner.
- 2070.11.2.1 In SL and PSL, the turning pole determines the gate line; in GS the small inside pole determines the gate line.
- 2070.11.3 In the event a competitor removes a pole from its vertical position before both feet have passed the gate line, both feet must still pass the original gate line (marking in the snow).
- 2070.11.4 A competitor is allowed to hike to avoid missing a gate, provided at least their front foot remains attached to the board and both feet are attached to the board before continuing down the course.
- 2070.12 Right to Continue after a Gate Fault
- If a competitor misses a gate, they no longer have the right to pass through further gates and must immediately exit the course and not cross the finish line. If they fail to comply, they can be penalized according to the art. 2065. Before imposing a penalty, it must be determined whether the competitor was aware of his fault.
- 2070.12.1 It must be supposed that the competitor was aware of the fault if he/she passed two or more gates incorrectly and obviously deviated from one of the possible correct passages.

2100 RULES SPECIFIC TO SLALOM (SL)

2101 Technical Data

- 2101.1 Vertical Drop
- 2101.1.1 SL courses must be a minimum of 120 m and a maximum of 180 m vertical drop. The same course may be used for men and women.
- 2101.2 Length
- 2101.2.1 The course should have a length on the ground of a minimum of 400 m and a maximum of 600 m. The length of the course must be measured with either a measuring tape, wheel or GPS and has to be published on the start list and the results.
- 2101.3 Course Width
- 2101.3.1 SL courses must be at least 30 m wide, if two runs are set on the same slope. In special cases, the Jury can authorize exceptions for short parts of the course. If the second run is reset on the first track, the minimum width is 20 m.
- 2101.3.2 Finish Width
- The finish must be no less than 8 m wide. In exceptional cases, the Jury can only decrease this distance for technical reasons or because of the terrain. The width of the finish is considered to be the distance between the two finish posts of the banners.
- 2101.4 Slalom Gate Description
- 2101.4.1 Slalom Gates
- A SL gate consists of one stubby flex pole (turning pole) and one long SL flex pole

(outside pole) which are connected with a triangular gate flag placed at the bottom of the gate at snow level. Consecutive gates must alternate red and blue.

2101.4.2 The distance between offset turning poles must be between 8-15 m. The distance between turning poles in a combination must be between 6-8 m.

- At least one tripe or quadruple and at least 3 double combinations must be included
- Banana gates cannot be set in SL

2101.4.3 Number of Gates

Minimum: 35

Maximum: 55

2102 Slalom Course Description

2102.1 The ideal SL course, taking into consideration the drop and the gradient specified above, must include a series of turns designed to allow the competitors to combine maximum speed with precise turns. The course should be symmetric and not favor goofy or regular competitors.

2102.2 The SL course should permit the rapid completion of all turns. It should be a technically clever composition of figures suited to the terrain, allowing a fluent run, but testing the widest variety of snowboard techniques, including changes of direction with very different radii. Gates should be set so that some full turns are required, interspersed with traverses.

2102.3 Preparation of the Course

SL competitions must be raced on a hard prepared snow surface. If snow falls during the race the Chief of Course must ensure that it is packed or, if possible, removed from the course.

2103 Course Setting

2103.1 Inspection of the SL Slope

This inspection must be carried out by the Course Setter before they sets the course. The SL should correspond to the average ability of the first 30 competitors.

2103.3 Setting

2103.3.1 As SL must contain horizontal (open) and vertical (closed) gates as well as a minimum of one and a minimum of three vertical combinations consisting of three to four gates (triple/quadruple) and at least three hairpin (double) combinations.

2103.1.1 No Bananas (delays) are allowed in SL.

2103.2 The following principles should be applied when setting a SL course:

2103.2.1 Difficulty should reflect the average ability of the first 30 competitors.

2103.2.2 Avoid a monotonous series of standard gate combinations.

2103.2.3 Gates that encourage sudden or sharp braking should be avoided, as they spoil the fluency of the run without increasing the difficulty of a SL course.

2103.2.4 It is advisable before difficult gate combinations, to set at least one gate that allows the competitor to snowboard through the difficult combination under control.

2103.2.5 It is not advisable to set difficult figures at the beginning or end of a course. The last gates should be rather fast, so that the competitor passes the finish at a good speed.

2103.2.6 The last gate should not be too near to the finish, to avoid risk to competitors and timekeepers; it should direct competitors to the middle of the finish line. If the width of the slope necessitates, the last gate can be common to both courses, provided the prescribed alternation of blue and red gates is maintained.

2103.2.7 Slalom poles should be properly secured by the Chief of Course or designated assistants immediately after they have been set, so that the course setter can supervise the operation.

2103.4 Checking the SL Course

The Jury must check that the course is ready for inspection and/or competition once the course setter has set it, paying special attention that:

- The slalom poles are firmly rammed in.
- The gates are in the right color order.
- The position of the poles is marked.
- The numbers are in the right order on the outside poles.
- The poles are high enough above the snow.
- The two SL courses are far enough from each other to avoid misleading the competitors.
- The fencing of each course is far enough from the slalom poles.
- Obstacles at the edge of the course are either removed or neutralized.
- The last gate before the finish directs the competitors to the middle of the finish.
- The reserve poles are correctly placed not to mislead the competitors.
- Start and finish are in accordance with art. 2022 and art. 2025.

2104 Competitor Inspection

2104.1 The course must be in perfect condition from the time the competitors' inspection starts until it ends. The Jury decides the method of the inspection.

2104.2 Course workers must not disturb competitors during the inspection.

2104.3 Competitors must wear their bibs during inspection.

2104.4 Competitors may not descend down the prepared course or through the gates.

2104.5 Competitors are not permitted to enter the course without being attached to their board.

2104.6 Competitors are not allowed to "shadow" the course.

2105 The Start

2105.1 Start Intervals

The SL start takes place at irregular intervals. The Chief of Timing and Calculations or his/her assistant tells the starter when each competitor should start. The competitor on course need not cross the finish before the next competitor starts.

2105.2 Start Order

2105.2.1 First Run

For all alpine snowboard competition, except regional and national championships where the start is based strictly off the USSA snowboard ranking list, the start order is as follows:

1) "Youth" competitors will start first.

2) The first seed will start next. The order within the first seed will be decided by random draw.

Field Size	First Seed Size
------------	-----------------

50 or more	15
------------	----

less than 50	at a natural break in the rankings, but no more than 10.
--------------	--

3) The remaining competitors with USSA points will run in ascending order (highest to lowest), according to their USSA points as published on the latest snowboard ranking list.

4) Competitors with 0 (zero) USSA points will be randomly sorted and run at the end of the field, per sex, regardless of age.

2105.2.2 Second Run

Field Size	First Seed Size
------------	-----------------

50 or more	Top 15 from the first run, in reverse order. Remainder of the field, in order of first run times.
less than 50	number of seed from first run in reverse order. Remainder of the field, in order of first run times.

2105.3 Start Signal

As soon as the starter has received the order for the next start, they shall give the competitor the warning, "Ready"; a few seconds later the start signal, "Go!" The competitor must start within 10 seconds of this order.

2105.4 Checking the SL Course

The Jury must check that the course is ready for inspection and / or competition once the course setter has set it, paying special attention that:

- The slalom poles are firmly rammed in.
- The gates are in the right color order.
- The position of the poles is marked.
- The numbers are in the right order on the outside poles.
- The poles are high enough above the snow.
- The two SL courses are far enough from each other to avoid misleading the competitors.
- The fencing of each course is far enough from the slalom poles.
- Obstacles at the edge of the course are either removed or neutralized.
- The last gate before the finish directs the competitors to the middle of the finish.
- The reserve poles are correctly placed not to mislead the competitors.
- Start and finish are in accordance with art. 2022 and art. 2025.

2106 Execution of the SL

2106.1 Two Runs

SL must always be decided by two runs on two different courses. Both courses must be used one after the other, in the order decided by the Jury. Division of the competitors into two groups starting simultaneously on both courses is not allowed. Whenever possible, both runs should be held on the same day.

2106.2 Limitations in the Second Run

The competition committee has the right to reduce the number of competitors in the second run to half, provided that notice was given on the invitation, at the team captains' meeting or on the official notice board, before the race started.

2106.3 Competition Clothing

Competition suits must be two piece – pants and separate top.

Form fitting speed or downhill suits are not permitted. Non protruding body protection and padding is recommended.

Protective equipment i.e. back protection must be worn on the body. No straps, fastening devices or other methods can be used to tighten the suit material closer to the body. Shin guards are excluded from this rule.

2107 Competition Clothing and Helmets

Competition suits must be two piece – pants and separate top. Form fitting speed or downhill suits are not permitted. Non protruding body protection and padding is recommended.

Protective equipment i.e. back protection must be worn on the body. No straps, fastening devices or other methods can be used to tighten the suit material closer to the body. Shin guards are excluded from this rule.

Helmets manufactured for ski racing are required for all competitors. See art.

2200 RULES SPECIFIC TO GIANT SLALOM (GS)

2201 Technical Data

2201.1 Vertical Drop

2201.1 GS courses must be 200-400 m in length. The same course may be used for men and women.

2201.2 Length

2201.2.1 The length of the course must be measured with either a measuring tape, wheel or GPS.

2201.3 Course Width

2201.3.1 GS courses must be at least 30 m wide. If two runs are set on the same slope (ladies and men) the course must be at least 40 m wide. In special cases, the Jury can authorize exceptions.

2201.3.2 Finish Width

The finish width must be no less than 10 m wide. In exceptional cases, the TD can only decrease this distance for technical reasons or because of the terrain. The width of the finish is considered to be the distance between the two finish posts of banners.

2201.4 GS Gate Description

(see Course Standards section)

2201.4.1 GS Gates

A GS gate consists of two poles; one rigid outside pole (art. 2058.5.1.2) and one stubby turning pole (art. 2058.5.1). Triangular banners for GS shall measure 130 cm base side, 110 cm long side and 10-20 cm short side.

The triangular gate flags have to be placed at right angles (90°) to the fall line at the bottom of the gate. The triangular gate flags are to be fastened at the bottom of the gate.

2202.2 Consecutive gates must alternate red and blue except in the case of double gates (banana/delay) when there shall be two gates of the same color.

2201.4.2 The distance between the nearest poles of two successive gates must not be less than 10 m. The gates must be set so that the competitors can distinguish them clearly and quickly even at high speed. The flags of a gate should be set at right angles to the racing line.

2201.4.3 Number of Gates

It is recommended to set with a distance of between 20-27 m between turning gates in GS (Exception: banana gates). The result list should show the number of turns and number of gates. Example: 25 (turns) / 30 (gates).

2202 GS Course Description

2202.1 The terrain should preferably be undulating and hilly.

2202.2 The course must be as flat as possible from one side to the other. The snow must be compact and as hard as possible. The use of artificial means is permitted (salt, water, etc.). In places where competitors may be in danger, the competition committee must install safety measures (hay bales, padding, nets, etc.).

2203 Course Setting

2203.1 The following principles should be applied when setting a GS course:

2203.1.1 The first run should be set the day before the race. Both runs can be set on the same course but the second run must be reset.

2203.1.2 Skillful use of the ground, when setting a GS is even more important than for slalom, since figures play a less important role in GS. It is therefore better to set mainly single gates, while exploiting the ground to the utmost. Figures can be set, but mostly on flat terrain.

2203.1.3 A GS should present a variety of long, medium and short turns.

The competitor should be free to choose his/her own line between the gates, which must not be set down the fall line of the slope. The full width of a hill should be used wherever possible. The course should be symmetric and not to favor goofy or regular competitors.

2204 Competitor Inspection

The course will remain closed for training on the day of competition. The course and gates must be in final condition at least one hour before the start of competition inspection.

The competitors are allowed to study the course after its final setting, by slowly sliding down alongside the course or side slipping through the course as directed by the Jury. Boarding through gates, or practicing turns parallel with those required by gates on the course, will lead to sanctions or disqualification. Competitors must carry visible their start numbers.

Competitors are not allowed to touch (hold) the gates during inspection.

First offence is a warning sanction, second offence can include a disqualification or sanction.

2204.2 It is absolutely essential to have a prepared practice (warm-up) slope near the competition venue.

2205 The Start

2205.1 Start area

Push off posts will be installed on the starting installation for all competitions. The specifications will adjusted to the needs of the specific events.

2205.2 Start Order

2205.2.1 First Run

For all alpine snowboard competition, except regional and national championships where the start is based strictly off the USSA snowboard ranking list, the start order is as follows:

1) "Youth" competitors will start first.

2) The first seed will start next. The order within the first seed will be decided by random draw.

Field Size	First Seed Size
------------	-----------------

50	15
----	----

less than 50	At natural break in ranking, but not more than 10
--------------	---

3) The remaining competitors with USSA points will run in ascending order (highest to lowest), according to their USSA points as published on the latest snowboard ranking list.

4) Competitors with 0 (zero) USSA points will be randomly sorted and run at the end of the field, per sex, regardless of age.

2205.2.2 Second Run

Field Size	First Seed Size
------------	-----------------

50 or more	Top 15 from the first run, in reverse order.
------------	--

	Remainder of the field, in order of first run times.
--	--

less than 50	Number of seed from first run in reverse order.
--------------	---

Remainder of the field, in order of first run times.

2205.2.3 Start Signal

Ten seconds before the start, the starter will tell each competitor, “ten seconds”. Five seconds before the start, the starter will count, “5, 4, 3, 2, 1”, then give the command, “Go!”

2206 Execution of the GS

2206.1 Two Runs

A GS must always be decided by two runs. The second run may be held on the same course, but the gates must be reset. Whenever possible, both runs should be held on the same day.

2207 Competition Clothing

Competition suits must be two piece – pants and separate top. Form fitting speed or downhill suits are not permitted. Non protruding body protection and padding is recommended. Protective equipment i.e. back protection must be worn on the body. No straps, fastening devices or other methods can be used to tighten the suit material closer to the body. Shin guards are excluded from this rule.

2207 Competition Clothing and Helmets

Competition suits must be two piece – pants and separate top. Form fitting speed or downhill suits are not permitted. Non protruding body protection and padding is recommended.

Protective equipment i.e. back protection must be worn on the body. No straps, fastening devices or other methods can be used to tighten the suit material closer to the body. Shin guards are excluded from this rule.

Helmets manufactured for ski racing are required for all competitors. See art. 2052.5.

2500 RULES SPECIFIC TO PARALLEL EVENTS

2501 Definition

The parallel is a competition where two competitors snowboard simultaneously side by side down two parallel courses. The setting of the courses, the configuration of the ground and the preparation of the snow are to be as identical as possible.

2502 Technical Data

2502.1 Technical Data Parallel Slalom

For Parallel Slalom (PSL) the vertical drop of the course must be between 80-120 m with a minimum of 18 gates. It is recommended to set around 25 gates in PSL with a horizontal distance (turning pole to turning pole) of between 10-14 m.

The course should have a length on the ground of a minimum of 250 m and a maximum of 450 m – recommended length is approximately 350 m. In general the courses should be between 17° to 22° in average steepness for PSL and a minimum width of 30 m.

2502.2 Technical Data Parallel Giant Slalom

For Parallel Giant Slalom (PGS) the vertical drop of the course must be between 120-200 m with a minimum of 18 gates. It is recommended to set around 25 gates in PGS with a horizontal distance (turning pole to turning pole) of between 20-27 m. The course should have a length on the ground of a minimum of 400 m and a maximum of 700 m – recommended length is approximately 550 m. In general the courses should have the same variety of terrain like a GS and with a minimum width 40 m.

2502.3 Gates

- 2502.3.1 A PSL/PGS gate consists of one stubby flex pole (turning pole) and one long slalom pole (outside pole) which are connected with a triangular gate flag (see also art. 2085 and 2089).
- 2502.3.2 The distance between the nearest poles of two successive gates (banana gates only in PGS) must not be less than 10 m and set with the same color gates and flags. The gates must be set so that the competitors can distinguish them clearly and quickly even at high speed. The banner of a gate should be set at right angles to the racing line.
- 2502.3.3 The triangular gate flags have to be placed at right angles (90°) to the fall line at the bottom of the gate. The triangular gate flags are to be fastened at the bottom of the gate.

2503 Parallel Course Description

- 2503.1 Choose a slope wide enough for two courses, preferably slightly concave. The terrain variations must be the same across the surface of the slope. The course must have the same profile and the same difficulties.
- 2503.2 Over the full width of the chosen slope, the snow must be consistent, so it is possible to offer equal conditions on both courses.
- 2503.3 The courses must be entirely closed off by barriers. It is recommended to fence off reserved places intended for trainers, competitors and servicemen.
- 2503.4 The course must be next to a lift to ensure the races are run efficiently.

2504 The Courses

- 2504.1 When the two courses are set, the left course (looking from the top) will be set with red poles and red triangular gate flags and the right course (looking from the top) will be set with blue poles and blue triangular gate flags.
- 2504.2 The same course setter establishes the courses and makes sure they are identical and parallel. He must ensure that the course flow is smooth and that there is variety in the curves (very pronounced curves) and that the course causes rhythm changes. In no case should this event resemble a long straight run from top to bottom. It is permitted to set double and triple combinations. The recommended number of gates is 23-30 for PSL and 18-25 for PGS.
- 2504.3 Shortly before the finish line, after the last gate, the separation between the two tracks must be well defined so that they direct each competitor towards the finish line. The course setter must place the last gate in such a manner that the competitors are guided towards the center of each finish line.
- 2504.4 Distance between the two Courses
The equidistance between two corresponding course markers (from turning pole to turning pole) must be for: PSL 8-10 m, PGS 9-12 m.
The first gate (red and blue course) should be set the same distance apart as the start gates.

2505 The Start

- 2505.1 Start Ramp
The Start Ramp shall be prepared in such a way that the competitors can stand relaxed on the starting line and can quickly reach full speed after leaving the start. Push off posts will be installed on the starting installation for all events. The specifications will adjusted to the needs of the specific events.
- 2505.2 Start Gates
Two different procedures to start with different start gates are possible:
- Simultaneously - the gates have to open simultaneously for both runs and a competitor must not be able to push the gates open.

- Delayed - the gates have to open simultaneously in the first run. In the second run the start gates open with the time difference of the first run. Competitor must not be able to push the gates open.

2505.3 False Starts

Disqualification will take place:

- If a competitor manipulates the starting gates
- If a competitor is trying to pass the starting gates before the final starting signal has been given (audible and/or visible).

2505.4 Malfunction of the start gate

If one or both starting machine gates have clearly been blocked because of technical malfunction, without the competitor touching the gate before the starting signal was given, the start must be repeated.

2505.5 Start command

Before the starter gives the command – “Go” or a single audible signal, he must first ensure that the competitors are ready by asking: “red course ready, blue course ready, attention”.

“Riders ready” only can be used in connection with an audible command (series of short beeps followed by one louder starting beep when doors open).

2506 The Finish

2506.1 The finish areas must be symmetrical. The line of the finish must be parallel with the line of the starts (see also art. 2025).

2506.2 Each finish line is marked by two poles connected by a banner which form the finish. Each of these must be at least 8 m wide. The finish lines are separated by a post or vertical banner with a maximum width of approximate one meter.

2506.3 It is necessary to set up visually separate finish approaches and exits.

2507 Course Setting

2507.1 Course Setters

The course setter is designated by the Jury of the competition (if he is not chosen by the FIS). Before setting the course, he must conduct an inspection and study of the course in the presence of the Jury and those responsible for the course (the chief of competition and the chief of course).

2507.2 Setting

- Gates, which impose on competitors a sudden sharp braking action, should be avoided, as they spoil the fluid aspect of the run without increasing the difficulties of a modern course.

- It is advisable before difficult combinations of gates to set at least one gate which allows the competitor to ride through the difficult combination under control.

- It is not advisable to set difficult figures either right at the beginning or end of the course. The last gates should be rather fast, so that the competitor passes the finish at a direct good speed.

- The last gate should not be too near to the finish to avoid danger to competitors and timekeepers. The last gate should direct competitors to the middle of the finish line.

- The slalom poles should be drilled or rammed in by the Chief of Course or his assistants immediately after they have been set, so that the course setter can supervise the operation.

2507.3 Checking the Courses

The Jury must check that the course is ready for racing once the course setter has set it, paying special attention that:

- that all poles are firmly rammed in,
- the gates are in the right color order,
- the position of the poles is marked,
- the numbers are in the right order on the outside poles,
- the poles are high enough above the snow,
- the gate flags are properly fixed,
- the security fencing and other security installations are acceptable,
- the last gate before the finish directs the competitors to the middle of the finish,
- the reserve poles are correctly placed not to mislead the competitors.

2508 Timing

2508.1 Qualification

The running time of each competitor will be registered with two independently homologated timing systems (see also art. 2020.2, art. 2020.3).

2508.2 Finals

As the start is simultaneous, only the difference in time between the competitors at the finish will be registered with two independent homologated timing systems. The first competitor that breaks one of the signals starts the chronometer and receives the time “zero”, the following competitor (2nd) stops successively the clocks (chronometers) and receives the time difference in 1/100 seconds to the first competitor.

2509 Execution of Parallel Events

2509.1 Qualification formats for the Parallel Final

2509.1.1 Separate qualifying run

2509.1.1.1 One Run Qualifying

A separate qualifying run has to be set. This run must be similar to the Parallel courses, (i.e. number of gates, fall line, inclination). All competitors get one run on this course. The top 16 men and women, in cases where there are less than 50 competitors only 8, will take part in the parallel finals. If time allows, the jury may permit 16 men and women to compete in the finals. This must be announced a minimum of one hour before the start of qualifications.

2509.1.1.2 Two runs Qualifying

A separate qualifying run will be set (one course for ladies one for men – dependent upon the number of competitors the Jury may decide to utilize only one course). This run must be similar to the Parallel courses, i.e. number of gates, fall line, and inclination. All competitors get one run on this course – the top 8 timed ladies and 8 men are qualified directly to the finals. Places 9-24 for the ladies and places 9-32 for the men have a second run on the same course but in reverse start order (place 9 starts first, place 24/32 starts last). Again the top 8 ladies and 8 men (only by the time from the second run) are qualified for the finals.

2509.1.1.3 Tie-Breaking in separate Qualification

In case of a tie for place 8 in the first qualifying run or place 16 in the second qualifying run there shall be another run for each of the competitors involved on the qualification course. This run will take place immediately after the qualifications. The start order will be drawn at the start.

2509.1.2 Parallel Qualifying run

2509.1.2.1 Parallel Qualifying System

The course is set parallel from the beginning. These courses are the same or similar to the parallel finals courses.

This Qualification system consists of two runs:

Qualification run (1st run):

In the Qualification run, all competitors are sorted according to their FIS points ranking (except a random draw for the top 16). Each competitor has one time run – odd numbers (1,3,5,...) on red course, even numbers (2,4,6,...) on blue course.

The top 16 ranked ladies and men on the red and the top 16 ranked ladies and men on blue course (32 ladies and 32 men) advance to the Elimination round.

Elimination run (2nd run - 32 ladies and 32 men):

Course exchange: The top 16 ladies and men from the red course qualification run on the blue course. The top 16 ladies and men from the blue course qualification run on the red course. Run 1 from the qualification and run 2 from the Elimination will be added together (“one red run and one blue run”). The top timed 16 athletes per gender advances to the finals.

Ranking:

The competitors who participate in both qualification and elimination run will be ranked according to their total time of two runs. The remaining competitors will be ranked according to their results of the first qualification run.

2509.1.2.2 Tie-Breaking in Qualification

If two or more competitors with two qualification runs are tied, the ties will be broken by the best run of two. If they are still tied the tie will be broken using the highest current USSA points. If they are still tied all will receive the same rank but the competitor with the higher bib number will be ordered first. The exception is if they are tied for the 16th place (see 2509.1.2.3)

2509.1.2.3 Tie-Breaking for place 16th

In case of a tie for place 16 there shall be another run for each of the competitors involved on the red course (same course for both). This run will take place immediately after the qualifications. The start order will be drawn at the start.

2509.1.3 Start Order

For all alpine snowboard competition, except regional and national championships where the start is based strictly off the USSA snowboard ranking list, the start order is as follows:

- 1) “Youth” competitors will start first.
- 2) The first seed will start next. The order within the first seed will be decided by random draw.

Field Size	First Seed Size
50 or more	16
less than 50	8
- 3) The remaining competitors with USSA points will run in ascending order (highest to lowest), according to their USSA points as published on the latest snowboard ranking list.
- 4) Competitors with 0 (zero) USSA points will be randomly sorted and run at the end of the field, per sex, regardless of age.

2509.2 Parallel - Finals

2509.2.1 8 respective 4 pairs are formed as follows using the results from the Qualifications.

Groups	16 Finalists	8 Finalists
	Place 1 - Place 16	Place 1 - Place 8
	Place 8 - Place 9	Place 4 - Place 5
	Place 5 - Place 12	Place 3 - Place 6

Place 4 - Place 13

Place 2 - Place 7

Place 3 - Place 14

Place 6 - Place 11

Place 7 - Place 10

Place 2 - Place 15

- 2509.2.2 Each pair of competitors has to make two runs. The competitors change courses for the second run. A competitor, who does not finish or is disqualified in the first run, starts the second run with a 4% (max 1.5 sec) penalty (see 2512).
- 2509.2.3 For each pair the competitor which is listed on top of the pairing will do his first run on the red course.
- 2509.2.4 Start Order (16 men, 8 women)
Following the order in the table, from the top to bottom, all groups race in succession. For the second run the competitors change course. The same system is used for all elimination rounds.
- 2509.2.5 Place 5 to 8 and 9 to 16 are determined by the times of the qualification run (runs). In any case a competitor who has qualified for a certain group will remain in this group even if his qualification time was slower than one or more of the qualification times for competitors eliminated in a lower group. i.e., once qualified for top 8 will remain in the top 8.
- 2509.2.6 This process continues according to the ladder until a winner emerges.
- 2509.2.7 Semi-finals and Final
- 2509.2.8 The four remaining competitors start according the rounds 7 - 18.
- 2509.2.9 The losers of the elimination rounds 7 - 10 race their first run for the 3rd and 4th positions before the finalists race their first run, then the losers of the third elimination round run their second run and then the finalists run their final race.
- 2509.3 Inspection of the courses
- 2509.3.1 The competitors are allowed a minimum of 10 minutes to inspect the parallel courses (qualification and finals). The method of inspection is determined by the Jury. Competitors are not allowed to touch (hold) the gates during inspection. First offense will be a warning sanction, second offense may result in a disqualification sanction from the competition.

2510 Control of the Races

The gate Judges are situated on both exterior sides of the courses. Each gate judge may be supplied with a flag which corresponds to the color of the course they are controlling (either blue or red). This flag is to be used immediately to notify the Jury of a potential disqualification / sanction in his section of the course. An official (judge) appointed by the Jury may be located approximately half way down the course with a yellow flag where immediate judging of a gate judge's sanction / disqualification is done by raising the yellow flag in the direction of the course where the disqualification has been indicated. The raising of the yellow flag confirms the disqualification of the competitor

2511 Disqualifications / Sanctions

2511.1 Causes for disqualifications are the following:

- false start (art. 2505.3)
- disturbing opponent, voluntarily or not
- incorrect gate passage
- turn not executed on the outside of a gate
- not finishing the run with at least one foot fixed to the board.

- 2511.2 The competitor who is disqualified or does not finish the first run of a round will start in the second run with a penalty time.
- 2511.2.1 The competitor who is disqualified or does not finish / abandons in the second run is eliminated.
- 2511.2.2 In case both competitors do not finish, the competitor that passes the most gates:
 first run: wins the first run
 second run: advance to the next round

2512 Penalty Time

The penalty time will be calculated using the best time of the qualifications for women and men. A 4% penalty of his time will be used in the parallel finals. In all cases the maximum time difference for the first run of each pairing can never be higher than the penalty time. i.e. the actual time difference is 3 seconds, the penalty time is 1.5 seconds, then the second run will be started with a handicap of 1.5 seconds for the losing competitor of the first round. If both competitors are tied after the second run by their respective penalty times, the competitor who wins the second run advances to the next round.

2600 RULES SPECIFIC TO HALFPIPE (HP)

2601 Technical Data

2601.1 Definition

The HP is a channel constructed in, or of, the snow.

2601.2 Specifications

Traditional Pipe	Minimum	Recommended	Maximum
Inclination	14°	16°	18°
Length (m)	100 m	120 m	140 m
Width (lip to lip)	14 m	16 m	18 m
Wall Height	3 m	3.5 m	4.5 m
Transition	3 m	4 m	5 m
Vertical		max. 0.2 m @ 83°	
Bottom Flat		5 m maximum	
Drop in Area		Flat to 2 m	
Banner fence from wall		2 m	
Outside fence from banners		0.5 m +	
Oversized Pipe	Minimum	Recommended	Maximum
Inclination	14°	16°	18°
Length (m)	120 m	140 m	160 m
Width (lip to lip)	16 m	18 m	20 m
Wall Height	4.7 m	5.2 m	5.7 m
Transition	5.2 m	6.2 m	7.2 m
Vertical		max. 0.2 m @ 83°	

These measurements are given as recommendations and guidelines to aid in consistency.

2602 The HP Site

- 2602.1 The HP course must conform to specifications listed above.
- 2602.2 The HP course must be finished and ready for training at least two hours before the start of competition.
- 2602.3 The drop in area shall give the competitors the opportunity to enter the HP with

speed and shall not be used to attempt a maneuver.

2602.4 The lips (tops of each wall) of the HP must be clearly marked with color.

2603 Competitor Training

2603.1 Competitors are not required to train.

2603.2 There shall be no specific start order during training.

2603.3 Training times will be communicated by the competition committee during the team captains' meeting.

2604 The Start

2604.1 The Head Judge shall communicate to the starter when the judges are ready for the next competitor.

2604.1.1 Once a competitor has started his run, he is not allowed to re-start. In extenuating circumstances, the Jury may grant a re-start.

2604.2.2 Use of Heats in HP Competitions

USSA recommends the use of heats in the HP qualification. Competitors can be run in heats of 20-30 when appropriate breaks occur in the formation of the start list. For example: a field of 60 men would be split into two groups, 30 men in each heat. They would be given a 30 minute practice and then take their two scored runs.

Heat 1, 30 men

Practice 30 minutes, then two scored runs, best score counts

Heat 2, 30 men

Practice 30 minutes, then two scored runs, best score counts

Heat 3, 25 men if needed

Practice 30 minutes, then two scored runs, best score counts

The heat format can be set up for 20-30 competitors and the practice sessions should be held before each heat only and only for those competitors. Practice times can be adjusted to fit schedule and number of athletes. The heat format allows competitors to complete their two runs in a short amount of time without a waiting factor; it also allows the judges to focus only at the heat in front of them.

2604.2.3 Second Run

The start order for the second run will be in the same start order as the first. When in heats, this takes place in the same heat right after the last competitor goes. If there is a final in the competition then the final competitors will start in reverse order from their qualifying scores.

2604.3 Start Signal

After the starter has received acknowledgment for the next competitor from the Head Judge, the starter will give the command, "Ready", "Go" to the competitor. The competitor may leave the start at any time after the command.

2605 Execution of the HP

2605.1 HP Qualifications

2605.1.1 Best of Two Runs

A HP competition will be decided by giving the competitors two runs in which only the high score shall count towards final placing. For each run, the scores from all judges will be added together to give the total score for that run. Only the high score will count.

2605.1.2 Best of Three Runs

A HP competition will be decided by giving the competitors three runs in which only the high score shall count towards final placing. For each run, the scores from all judges will be added together to give the total score for that run. Only the high

score will count. This system can be used for a standalone competition or can be used in a final format after a best of two runs qualification.

2605.1.3 Modified Formats

The qualifications format for a USSA HP event may be modified, providing: the modified format is approved by the Freestyle Jury (art. 2004).

Modified formats could include using a double-up judging panel, Jam formats and a Ranking system and could be used both in the qualification or finals. Please note that all modified formats are variations of heats and use either one judge team or the Double-up judge format.

2605.1.4 Double-up Format

2605.1.4.1 Used for large numbers of competitors and use best of two runs.

2605.1.4.2 Judge Panels for the Double-Up will consist of no fewer than (3) three judges on each of the (2) two panels. When using (3) judges the criteria for judging will be all (3) for overall impression.

2605.1.4.3 A full panel of (4) four judges using the IJC Criteria on each panel is highly recommended. When four judges are used on the panels, overall impression will be used.

2605.1.4.4 Heats will be run with a maximum of 30 competitors per heat, optimum is 20 competitors.

2605.1.4.5 Training for heats will be one 30 minute session at start of each heats.

2605.1.4.6 If there are finals they will run the same way with multiple runs (2 or 3) with best run counting towards the final ranking.

2605.1.5 Jam Format

2605.1.5.1 Can be used with one team of judges (3, 4 or 5 judges) or Double-up

2605.1.5.2 The day will consist of 60 minute "sessions". Each session will have approximately 25 competitors.

2605.1.5.3 During the session each competitor will have the opportunity to do 3 practice runs and 2 judged runs. Only the better of the 2 judged runs will count.

2605.1.5.4 There will be two start lines (made very clear which is which); one for practice runs and one for judged runs. When a competitor drops in for a judged run he/she will be the only person on the course.

2605.1.5.5 Each competitor can choose when to do his/her judged runs; however it is each competitor's responsibility to keep track of the time to ensure that they take their judged runs within the 60 minute session. Because once the time is over, the session ends regardless of whether each competitor has taken their two judged runs or not.

2605.1.5.6 Random draw decides which session a competitor is in.

2605.1.5.7 Jam Format Finals

2605.1.5.7.1 Needs Double-Up judging system of at least two teams of three judges

2605.1.5.7.2 One 30 minute Jam of 6 women - minimum 5 runs

2605.1.5.7.3 One 50 minute Jam of 12 men - minimum 7 runs

2605.1.5.7.4 No pre-defined order

2605.1.5.7.5 Jam format - as many runs as possible until time limit runs out

2605.1.5.7.6 Judging criteria is overall impression

2605.1.5.7.7 Best TWO runs count.

2605.1.5.8 Jam "Ranking" Format for Qualification and/ or Finals

2605.1.5.8.1 Can be used with one team of judges (3, 4 or 5 judges)

2605.1.5.8.2 Size for heats should range from 20-30 competitors with 25 optimum.

- 2605.1.5.8.3 Heats should be no longer than 30 minutes in duration
- 2605.1.5.8.4 Three competitors are allowed in the pipe simultaneously. This allows the competitors up to 4-5 runs each in the Pre-qualifier.
- 2605.1.5.8.5 Each judge watches the entire jam taking notes on a memory board.
- 2605.1.5.8.6 Boxes are checked when the judge is impressed by a good run or stand out trick combinations of great difficulty.
- 2605.1.5.8.7 Judges will rank the competitors by their best overall marks (checks in the boxes). The Jam is not just the best run, but the best collection of runs in the Jam.
- 2605.1.5.8.8 At the finish of Heat 1 there will be a 15-20 minute break for the judges to rank the competitors. This is ideal for maintenance time and warm up for the next heat.

2606 Helmets

Helmets manufactured for ski sports are required for all competitors. See art. 2052.5.

2607 Judges' Stand

- 2607.1 The minimum size of the scaffolding area must be 8 m by 2 m. The judges' viewing area should be constructed to provide ample room for the appropriate number of judges and provide room for viewing and all proper amenities for the operation of the competition.
- 2607.2 The judges' area should be fenced or protected from competitors and spectators.
- 2607.3 No competitor, team representative or spectator may approach the judges' stand or speak with the judges during competition.

2608 HP Judging and Scoring

- 2608.1 Scoring
- 2608.1.1 Only maneuvers performed in the HP will be scored.
- 2608.1.2 Each judge shall use a ten point system. Judges will score by ones and tenths; 3.8, 6.7, 7.3 etc.
- 2608.1.3 The score card shall be used to record the score given by the judge
- 2608.1.4 A memory board shall be used by each judge to make all necessary notations depicting each competitor's run.
- 2608.1.5 If a competitor lands out of the HP, they have ten seconds to reenter before they are disqualified.
- 2608.1.6 Each competitor's scores must be posted after each run.
- 2608.2 Judging Format
- 2608.2.1 3-6 judges can be used at USSA HP events
- 2608.3 Judging Criteria

Overall Impression (OI) – 5 Judges

The judges will score the run by evaluating overall precision, including the executing of the run and the routine attempted. The OI judge evaluated the precise nature of the run in relation to maneuvers attempted, both individually and as a sequence. The overall composition of the run is most important as the OI judge evaluates the sequences of tricks, the amount of risk in the routine, and the rider uses the pipe. The OI judges take falls and stops into consideration and will deduct based on deduction scale of the run/judge for each fall/stop.

- 2608.4 Tie-breaking
 - 2608.4.1 Best of Two format
- If two or more riders obtain the same score in the best run of two, the comparison of the two highest judges marks in the best run of two shall be determined the winner. If they are still tied the highest three scores in the tied run shall determine

the winner. If they are still tied, the best run of two, the score the other final run will determine the winner. They are still tied, then comparison of the two highest scores of the other final run will determine the winner. If they are still tied, then comparison of the two highest judges scores of the other final run will determine the winner. If they are still tied, the highest three judges scores of the other final run will determine the winner.

2700 RULES SPECIFIC TO SNOWBOARDCROSS (SBX)

2701 Technical Data

2701.1 Vertical Drop

2701.1.1 Courses for all SBX must have vertical drop of a minimum of 100 m and a maximum of 240 m. The same course may be used for men and women. Average slope inclination should be 15°-18°.

2701.2 Length / Inclination

2701.2.1 The length of the course must be measured with either a measuring tape, wheel or GPS and has to be published on the start list and the results. Recommended length on the ground of the course is approximately 500-900 m – with a running time of approximately 40 seconds to 70 seconds.

Average slope should be 14°-18° (emphasis on the lower slope angle is generally best considered).

2701.3 Width

2701.3.1 The SBX slope must be a minimum of 40 m wide. In special cases the inspector or Jury can authorize exceptions for short parts of the course.

2701.4 SBX Gate Description

2701.4.1 A SBX gate consists of one long slalom pole (art. 2058.5.1), one stubby pole (art. 2058.5.1.2) and one triangular banner (art. 2103.1, 2201.2)

2701.4.2 Consecutive gates must alternate in color except banana gates (which are considered to be one turn therefore one color) which must be the same color gates and flags.

2701.4.3 The gates must be set so that the competitors can distinguish them clearly and quickly even at high speeds. The banner of a gate should be set at right angles to the competition line.

2701.4.4 In certain circumstances competitors may be required to pass between two gates of the same colors (for example: corridors).

2702 SBX Course Description

2702.1 General Characteristics of the Courses

The slope should preferably be of a medium pitch (not flat/not steep-ideally 14°-18° in average) with varied terrain. A very important part of the course is from the start to the first bank / feature (Suggested minimum distance 25 m at approximately 13°-15° inclination). Included in this relatively flat area should be some features which will aid in separating the competitors before entering the first bank.

The ideal SBX slope will allow for the construction of all or some of the following terrain features:

Banks (crescent shaped), Double Banks, Single, Double, or Triple Jumps Rollers, Offset Rollers - (Single, double, triple, etc.), Step-up jumps, spines and double spines, Pro style jumps, Hip jumps, Table top jumps, Step-down jumps. Medium or long GS type turns can be included (but not generally recommended) only when building a feature is not possible.

Other terrain features can be built, but competitor security considerations must

always be a priority. Gap jumps are not permitted under any circumstances and a SBX should not contain a corner jump at the last feature. The course and features should be designed so that competitors are attempting to gain speed and not having to break before each feature.

2702.2 Finish Width

The finish must be no less than 15 m wide. In exceptional cases, the TD can only decrease this distance for technical reasons or because of the terrain. The width of the finish is considered to be the distance between the two finish posts of banners.

2702.3 The ideal SBX course should be technically challenging, consisting of features suited to the terrain linked by gates to control speed but testing the widest variety of snowboard technique.

2702.4 It is recommended that gates not be set in the absence of a feature.

2073 Course Preparation

2703.1 The setting of the gates must be done before the official training and should incorporate the skillful use of the terrain with the integration of terrain features and jumps into the setting. Minor adjustments in the setting may be necessary during the training to adjust the course for a smooth race line.

2703.2 The total number of terrain features and jumps should be at the discretion of the course designer but will incorporate as many different possibilities as is practical. Blind jumps or terrain features where a competitor is unable to see the landing from the take-off should be avoided. The course should be designed so as to separate the competitors as quickly as possible after the start (i.e. 3-5 rolls, moguls or other terrain features between the start and the first turn). These terrain features should be placed in a straight line from the start to the first turn. Minimum distance of the straight section of the course between the start and the first turn should be 50 m.

2704 Inspection/Training

The competitors are allowed to inspect the course by slowly sliding down through or alongside the course. Inspection times are at the discretion of the Competition Jury but should be a minimum of 15 minutes. Competitors must visibly wear their start numbers and their helmets.

At least one training run prior to the actual competition is mandatory normally the training session should be 1 – 2 hours in length and if possible should be held the day before the actual event (under certain mitigating circumstances the competition Jury may decide other possibilities).

2705 Execution of SBX

2705.1 Formats are dependent on the size of the field, 6 competitors per heat (48 men/24 women) or 4 competitors per heat (32 men/16 women) or such other numbers as determined by the Jury. Timed runs may be used to qualify competitors for the finals.

One Run Qualifications – all competitors take one (1) timed run.

Two Run Qualification – all competitors take two (2) times runs, the best time one (1) run out of two runs timed runs determined the qualification ranking.

A competitor who does not start (DNS) in qualification run one (1) is not allowed to start in qualification run two (2) – competitors who did not finish (DNF) or were disqualified (DSQ) in qualification run one (1) can participate in qualification run two (2).

2705.1.1 For the 2nd qualification run the top 16 competitor - both men and ladies will start in reverse order compared to the 1st qualification run. Competitors with start numbers 17 and higher will keep the same start position for the 2nd qualification run.

2705.1.2 Ties in Qualification – if two or more competitors have the same best time, the tie

will be broken by their total time of the two qualifications runs. If they are still tied, the ties will be broken using the highest USSA points standing. If they are still tied all of the competitors will receive the same rank but the competitor with the higher bib number will be ordered first. The following tie-breaking rules do not apply to competitors who are tied for the qualification rank of (16th ladies or 32nd men's place). If two or more competitors are tied for 16th and 32nd places, all competitors will run as many run-offs as required until the ties are broken. If this run-off format both (or more) competitors run together.

2705.2 Finals

2705.2.1 Finals are based on 48 men / 24 ladies / 6 riders per heat or 32 men / 16 ladies / 4 competitors per heat or such other numbers as determined by the Jury. In special circumstances 64 men and/or 32 ladies are allowed.

2705.2.2 SBX will be run according to a single knockout format. 115

2705.2.3 The first 3 competitors (6 riders per heat) or first two 2 competitors (4 competitors per heat) advance from round to round as determined by their place of finish in each heat. Place of finish is determined by the first part of the body or Snowboard that crosses the finish line. Whenever possible, a finish line camera (video or photo finish) should be available. In case of a tie, at the finish line, such tie(s) will be broken after reviewing if available the photo-finish presentation. If a tie still exists, the competitors concerned will be ranked according to the fastest qualification time. In the case where the same qualification time exists (best time out of two runs), the tie will be broken by using the total time of both qualification runs. If a tie still exists, the competitor with the higher bib number (based upon qualifying time) will be scored as first.

2705.2.4 The competitors who do not advance in 1/8 finals heats will be grouped according to their placing in the heat and then ranked within that group according to their qualifying time. In any case a competitor who has qualified for a certain group (1/8 final, 1/4 final, etc.) will remain in this group and be ranked there. For example: Once a competitor is qualified for top 16 they will remain for scoring purposes in the top 16 group.

2705.2.5 If two (2) or more competitors do not finish or are disqualified (pushing, holding, missing a gate etc.) they will be ranked according to the length of the course finished – determined by the number of gate negotiated. If two (2) or more competitors do not finish the course, stop or fall or were disqualified at the same gate, the qualification rank will be utilized to determine their position at the end of the heat.

2705.4 Race Bibs

May be 4-6 different colors in each heat or numbered bibs with numbers on front, back and sleeves for better visibility by the course judges.

2704.4.1 To aid in competitor identification, 4-6 different colored leg bands may be used in addition to race bibs.

2705.5 Gate Judges

Between 4-8 Gate Judges (with control section gate Judges being provided radios connected with the Finish Referee and the rest of the Jury) on a SBX is necessary. Control section gate judges must be familiar with the rules (Inspection, Training, Gate-DSQ's, Contact etc.).

2705.6 Competition Clothing.

SBX competition suits must be two piece – pants and separate top. Form fitting speed or downhill suits are not permitted. Non protruding body protection and padding is recommended. Protective equipment i.e. back protection must be worn

on the body. No straps, fastening devices or other methods can be used to tighten the suit material closer to the body.

2705.7 Helmets

Helmets manufactured for ski racing are required for all competitors. See art. 2052.5.

2706 SBX Finals Parings

Pairings for the finals will be according to the following:

2706.1 FINALS

Ranking for 8 heats/4 per heat (32) MEN

Heat #	1st POS	2nd POS	3rd POS	4th POS
1	1	16	17	32
2	8	9	24	25
3	5	12	21	28
4	4	13	20	29
5	3	14	19	30
6	6	11	22	27
7	7	10	23	26
8	2	15	18	31

2706.2 Ranking for 4 heats/4 per heat (16) LADIES

Heat #	1st POS	2nd POS	3rd POS	4th POS
1	1	8	9	16
2	4	5	12	13
3	3	6	11	14
4	2	7	10	15

2706.3 Ranking for 8 heats/6 per heat (48) MEN

Heat #	1st POS	2nd POS	3rd POS	4th POS	5th POS	6th POS
1	1	16	24	32	40	48
2	8	9	17	25	33	41
3	6	11	19	27	35	43
4	4	13	21	29	37	45
5	3	14	22	30	38	46
6	5	12	20	28	36	44
7	7	10	18	26	34	42
8	2	15	23	31	39	47

2706.4 Ranking for 4 heats/6 per heat (24) LADIES

Heat #	1st POS	2nd POS	3rd POS	4th POS	5th POS	6th POS
1	1	8	12	16	20	24
2	4	5	9	13	17	21
3	3	6	10	14	18	22
4	2	7	11	15	19	23

2707 The Start

2707.1 Start Ramp and Start Gates

The start ramp shall be prepared in such a way that the competitors can stand relaxed on the starting line and can quickly leave the start. Push off posts must be installed – part of the start gate – for all competitions. The specifications will be adjusted to the needs of the specific competitions.

The four/six start boxes have to open simultaneously and it must be impossible for

a competitor to open the gates himself. The starting block (behind the board) must be covered with Teflon to protect the board. The System should be mechanical controlled for reasons of reliability and portability.

Therefore, electronic systems are not approved unless authorised by the FIS. All start device for FIS World Cup, World Championships and Olympic Winter Games need to be approved by the FIS.

The measurements should be as follows:

- Width between the gates: 90–100 cm (recommended 100 cm)
- Height of the board: 30–40 cm (recommended 40 cm)
- Width between handles: 80–90 cm (recommended 80 cm)
- Length of the handles: 10 cm
- Width of handles: 3–4 cm (recommended 4 cm)
- Adjustable “Handles”: Yes
- Distance between the gates: 5–60 cm (recommended 60 cm)

2707.2 Start lanes – Two Formats

Each starting position is identified by color and/or number. Looking down the course the positions are set from left to right.

Colors: blue–red–yellow–black (green–white)

Numbers: 1 – 2 – 3 – 4 – (5 – 6)

Colors are determined by qualification ranking(time) in each heat:

1st ranked qualification competitor – Red

2nd ranked qualification competitor – Blue

3rd ranked qualification competitor – Yellow

4th ranked qualification competitor – Black

2707.3 Choice of Starting lane

The choice of the starting lane, during each heat is based upon the qualification ranking (time). First ranked competitor from the qualifications can chose their lane, with the second fastest the next lane and so on.

A missed start is considered a disqualification / sanction. It is the competitors responsibility to arrive at the start in time to compete (see rule 2022).

2707.4 Start Command

Riders ready – attention” – randomly 1-4 seconds before the doors open (this 1-4 seconds is up to the starter).

2707.5 False start or malfunction of the start gate

Disqualification / Sanctions will take place:

- If a competitor manipulates the starting gates
- If a competitor is trying to pass the starting gates before the starting signal has been given (e.g. jumping over the start gate).
- If a competitor falls over the start gate before they open (exception a malfunction of the start gate).

If the starting gate has clearly been blocked because of technical malfunction, without the competitor touching the gate before the start signal was given, the start must be repeated.

If the starting gate is opened by one of the competitors and not by the starter because of a technical malfunction the start must be repeated

2708 Contact

Intentional contact by pushing, pulling or other means, which causes another competitor to slow down, fall or exit the course, is not allowed and is an automatic

disqualification. Unavoidable “casual contact” may be acceptable. All contact infractions will be at the discretion of the course judges and race Jury.

2709 Protests

2709.1 Disqualifications will be announced and/or posted immediately after each heat at a designated area at the bottom and top of the course. All protests must be reported to the Chief of Finish and or another Jury member or to a jury appointed person (which is announced at the Team Captains meeting) before the next heat begins. Protests received after this time will not be accepted. A competitor does not need to stop their run and/or raise their hand if they think that they have been interfered with by another competitor in order to have the right to protest. Protests need not be in writing but all other ACR rules for protests will apply. The protest fee must be paid at or before the conclusion of the competition.

2709.2 Handling of disqualifications caused by intentional contact

2709.2.1 If a rider gets disqualified because of intentional contact they will automatically be ranked as last in the heat. All other athletes, even if being a victim of this intentional contact, will be ranked as they come into the finish. No re-runs will be allowed in the case of intentional contact. Re-runs can only be given in case of force majeure or if the riders were interfered by another cause outside of riders in the heat.

2709.3 All protests must be reported to the Chief of Finish before the next heat begins. Protests after this time will not be accepted. Protests need not be in writing but all other USSA rules for protests will apply. The Jury will consist of the TD, Race Director and the Chief of Finish. The protest fee must be paid before the conclusion of the competition.

2710 Final Ranking

2710.1 Six Person Format

Competitors 1 to 6 are ranked according to their place of finish in the final heat. Competitors 7 to 12 are ranked according to their place of finish in the consolation round. All remaining competitors' are ranked according to the round they go out in (e.g. quarter finals) and their qualification times within that round. (Example: riders ranked 13 to 24 in the quarter final would be ranked according to their qualification times.)

2710.2 Four Person Format

Competitors 1 to 4 are ranked according to their place of finish in the final heat. Competitors 5 to 8 are ranked according to their place of finish in the consolation round. All remaining competitors' are ranked according to the round they go out in (e.g. quarter finals) and their qualification times within the round they are ranked first by their placing (3rd, 4th) and then by their qualification times within that group (example: all 3rd place finishers in the quarter final would be ranked, according to their qualification times, ahead of all 4th place finishers).

2710.3 DNS, DSQ, DNF in SBX Finals

If a competitor does not start in the round of 32 or the round of 16 they will be automatically ranked in the 32nd or 16th position. If two or more competitors do not start, the DNS competitors only will be ranked on 31/32nd (15/16th) place according to their qualification times and so on with 3 or more DNS competitors. Order of placing – DNF/DSQ (sports disqualification to be ranked 4th place in the heat according to the qualification time. If two competitors are DNF/DSQ, they will be ranked in the heat on 3rd/4th position according to their qualification time. DSQ (intentional contact, etc.) to be ranked second at the end of the 4th ranked athletes and DNS to be ranked last.

2900 Competition under Artificial Light

- 2900.1 Competition under artificial light is permitted.
- 2900.2 Lighting must meet the following specifications:
 - 2900.2.1 The light level anywhere on the course may not be less than 80 lux, measured parallel to the surface.
 - 2900.2.2 Lighting shall be as uniform as possible.
 - 2900.2.3 Floodlights shall be placed so the light does not alter the topography of the course. The light must show the competitor the exact picture of the terrain and must not alter the depth perception.
 - 2900.2.4 The lights shall not cast the competitor's shadow into the competition line and shall not blind the competitor by glare.
 - 2900.2.5 Obstacles and buildings in the immediate vicinity of the course must be clearly lighted.
- 2900.3 The TD must check ahead of time that the lighting conforms to the specifications. The organizer shall provide him with light m having cosine correction.
- 2900.4 The TD must submit a supplementary report on the quality of the lighting.
- 2900.5 The course setter must set the course where the light is best.

3000 RULES SPECIFIC TO SLOPESTYLE (SBS)

3001 The Slopestyle

The competition will be held on a course with a variety of hits, jumps, rails, tables, big-air, etc. with two or more lines that the competitors may choose to perform.

3002 Technical Data

- 3002.1 General characteristics of the course

The average slope inclination should be approximately 12 degrees. The slope should have a regular pitch, without marked variations of the inclination.

The SBS course must be a minimum of 30 m wide. The course must be a minimum of 100 and a maximum of 200 m in vertical drop.

- 3002.2 SBS Course Description

The SBS course shall contain a variety of type of features (table top jumps, fun boxes, quarter pipes, waves/jumps, rails and ridges, or other features types). The course should have a minimum of three (3) different features types and a minimum of four (4) judged hits in total. The course should not favouring regular or goofy foot competitors while providing the competitors the opportunity to display their freestyle skills and talents. The distance between the features should allow a smooth transition and performance.

The course should be designed to require a minimum run time of 20+ seconds. The features and the overall course should be designed in such a manner so as to allow usage by both men and ladies competitors.

The ideal SBS course should be technically challenging, with a wide variety and balance of features in diverse combinations.

- 3002.3 The Start and Finish area

The start area must be flat and wide enough for competitors to prepare for the competition and for coaches, staff and media teams to work. The finish area must be wide enough to provide the competitors a secure termination of their performance. The entire course should be visible from the finish area.

3003 Competition Equipment

- 3003.1 Bibs

Bibs are distributed by the Organizing Committee and may not be changed in shape or size. Freestyle bibs should be used. All bibs must be worn in the proper position at all session concerning the competition (inspection, training, qualification, finals and prize giving ceremony).

3003.2 Helmets

Helmets manufactured for ski sports are required for all competitors. See art. 2052.5.

3004 Execution of the SBS

The qualification run(s) is/are part of the SBS competition.

The official results of the qualification run shall determine the qualified competitors for the finals. The number of competitors to qualify for the finals (maximum 24 men / 12 ladies) must be announced at the Team Captains Meeting held before competition commences.

Only the finals shall determine the final ranking for the qualified competitors.

The official results will include:

- the ranking list from the qualification run(s)
- the final ranking of the qualified competitors from the finals.

The competition format can be alter between the heat format and the single format. The decision is taken by the Jury and must be announced at the Team Captains meeting.

If a competitor leaves the start (after the Head Judge has signified that the Judges are ready and the Starter gives the competitor a signal to start) the run will count and be Judges as such (even if the competitor stops before the first hit – no rerun or restart will be allowed).

A competitor who is disqualified (DSQ) in qualification round 1 is not allowed and has no right to start in qualification round 2.

3004.1 Inspection / Training

The competitors are allowed to inspect the course by sliding down the course (without riding the features). Inspection times are at the discretion of the competition Jury. Competitors must wear their start numbers and helmets at all times during inspection, training and competition. At least one (1) training run is mandatory prior to the actual competition (minimum one (1) hour, allowing all competitors to ride through the course a minimum of two (2) times). The Training, if possible, should be held the day before the actual event takes place (under certain circumstances the Competition Jury may decide on other possibilities).

3004.2 Competition Formats

3004.2.1 Seeding

Competitors ranked on the current FIS Points List 1-16 (men and ladies) will be randomly drawn in the first seed group and competitors ranked 17th through the end of the field will be randomly drawn for the second seed group during the team captains meeting.

In case, there are no competitors with FIS points on the start list, the entire field will be randomly drawn.

3004.2.2 Single Format (Finals: one out of two and all for 2nd qualification)

See Rule 2605.1 and Rule 2605.1.2

3004.2.3 Heat Format - See Rule 2604.2.2

3004.2.4 Double-up format - See Rule 2605.1.4

3004.2.5 Semi-Final Format - See Rule 2605.1.3

3004.2.6 Heat Competition Format with Semi Final - See Rule 2604.2.2

3004.2.7 Heat Competition Format with XX advancing to Final - See Rule 2604.2.2

3004.3 Final (if not any of above formats are used for Finals)

3004.3.1 Finals: Open Session

The finals can be an open session with a random running start order. All competitors have a time limit (recommended 1 hour) to use the course as many times as they want within that time limit. All runs will be scored during the open session. Only the highest score of each competitor will count toward the final ranking. Ties will be broken by the next highest score of the competitor. Utilization and duration of the open session format will be determined by the competition Jury and will be announced during the Team Captains meeting.

3004.5 Competition Jury

The Competition Jury for the SBS consists of the following:

- Technical Delegate
- Chief of Competition
- Head Judge

3005 Public address system

Music will be used at SBS events. The sound system must be powerful and depending on the length of the course it should be possible for the competitors to hear the music clearly and without distortion while on any part of the course.

The Chief of Sound is responsible for adequate music.

3006 Judges Stand

The minimum size of the scaffolding area must be 5 m by 2.5 m.

The Judges viewing area should be constructed so as to provide ample room for the appropriate number of officials and to provide room for viewing and all necessary amenities for the operation of the competition. The Judges stand needs to be elevated to give the best possible view of the complete SBS course. If this is not possible, then a second judging stand will need to be constructed and the judging crew will need to be increased so as to view the entire course.

3007 SBS Judging

3007.1 Number of Judges

Three (3)-six (6) Judges shall independently evaluate the competitors performance based upon the Judges criteria..

In the case where two (2) Judging stands are required, due to course length and viewing, the number of Judges will be increased to six (6), three (3) on each Judging stand plus the Head Judge. See Section 2608.

The total of the scores from each Judging panel will be average for final competitor's score.

3007.2 Judging Method

Only Overall Impression "IO" judging format will be utilized in SBS.

The key consideration is the overall composition of the run, including the line attempted, and the use of the features.

3007.3 Judging Elements

There are four (4) main elements utilized in SBS judging

- Trick difficulty
- Trick execution (including take off and landing)
- Amplitude of the trick
- Deduction

Falls are considered as a part of the trick execution and will be taken into

consideration when scoring a trick.

3007.4 Deductions

1 – 5 Minor mistake as : instable body during landings, possible small handtouch, using hands for stability and other instabilities.

6 – 15 Medium mistakes as: reverts light touch downs, heavy hand touches, body contact with snow.

16 – 20 Major mistakes as hard touch downs, falls, complete falls.

3007.5 General Criteria

Discussions by the Judges concerning competitor scores should be minimal in nature unless initiated by the Head Judge.

- No competitor, team representative or spectator may approach the judge's stand or speak with the Judges during the entire competition.
- Any protest or problem arising from the judging will be dealt with by the Head Judge and the competition Jury.

3008 SBS Scoring System

3008.1 Point System

Each judge must use a 100 point system e.g. 2, 6, 87, 93 etc.

Each Judge can give a maximum of 100 points for each competitor. The scores of the Judges will be averaged for each competitor run XX.X out of 100.

U.S. LIFETIME U.S. SNOWBOARDING U.S. FREE SKIING.

From the **first time**
on snow
to a **lifelong**
participation
in sport.

Visit your training system at
trainingssystem.ussa.org

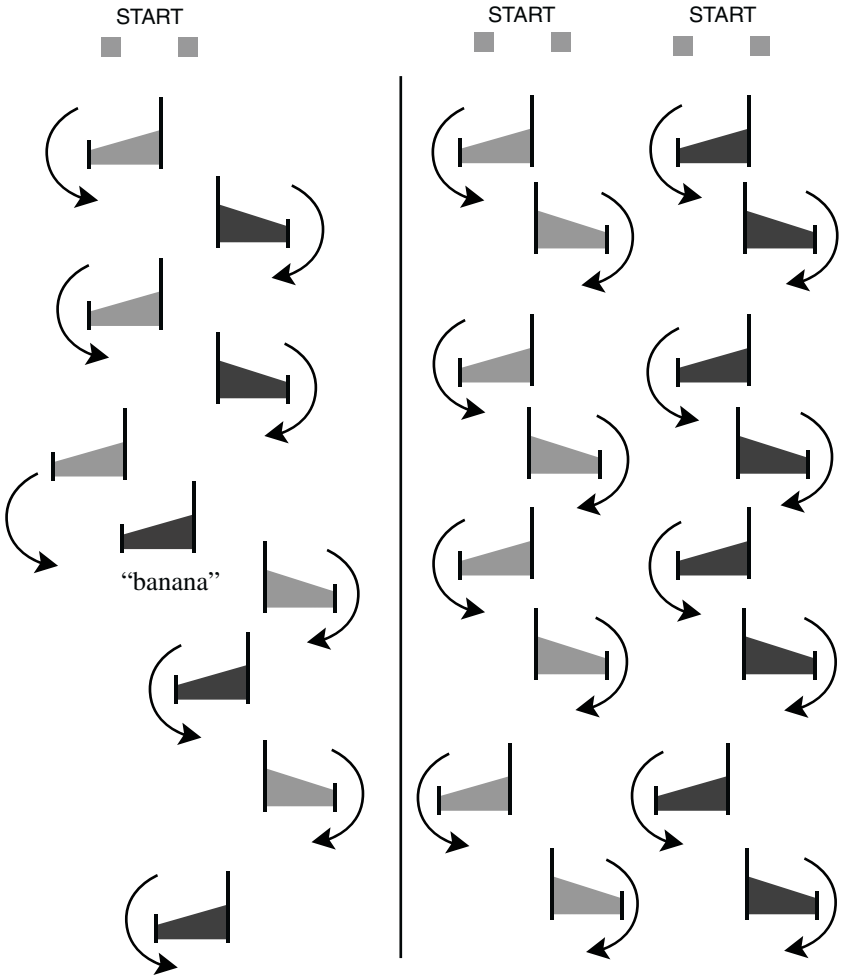
USSA

COURSE SETTING

Giant Slalom/Parallel Giant Slalom

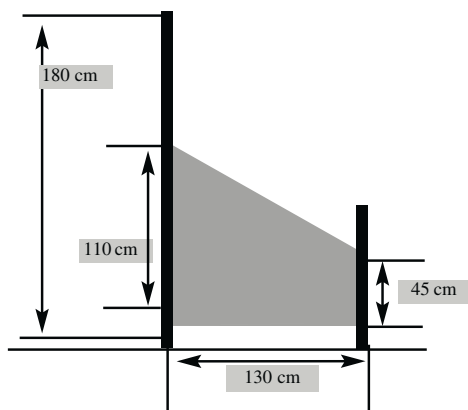
Giant Slalom

Parallel Giant Slalom



TECHNICAL DATA

Giant Slalom/Parallel Giant Slalom



Giant Slalom

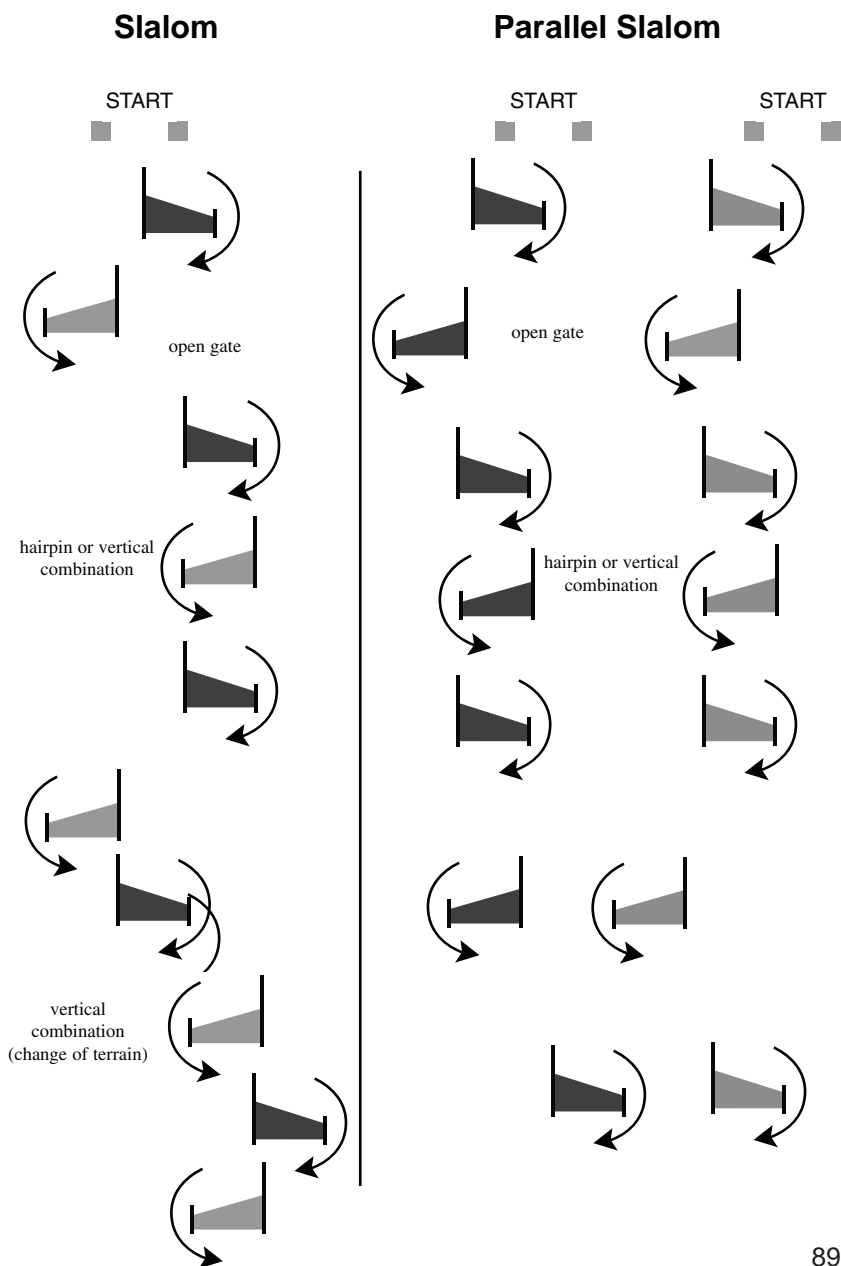
VD: 200–400 m
Number of Gates Min: 11-15 % of VD
Distance
Turning pole to turning pole min. 10 m
Course Setting
Symetrical

Parallel Giant Slalom

VD: 120–200 m
Number of Gates Min: 18% of VD
Distance
Turning pole to turning pole min. 10 m
Course Setting
Symetrical

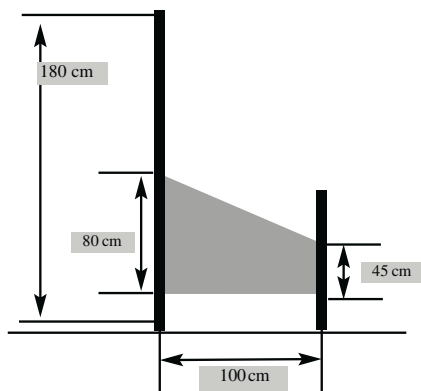
COURSE SETTING

Slalom/Parallel Slalom



TECHNICAL DATA

Slalom/Parallel Slalom



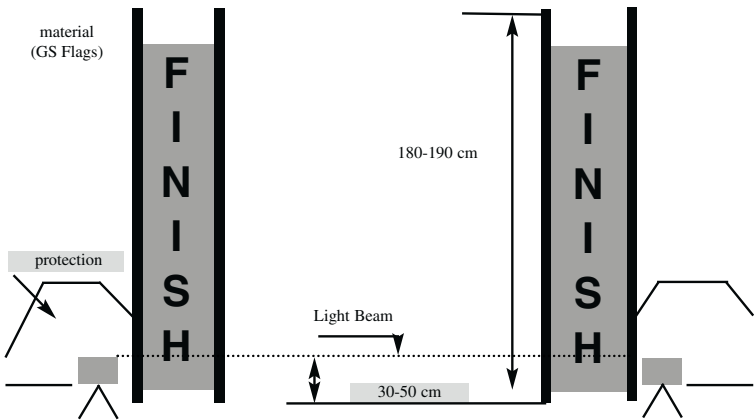
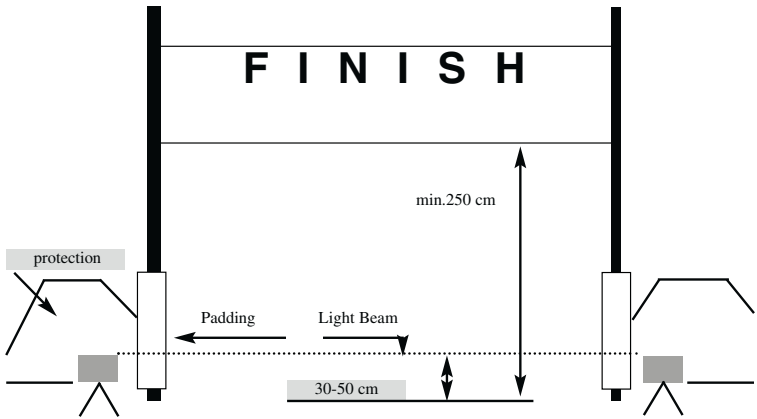
Slalom

VD: 120–180 m
Number of Gates Min: 35 Max: 55
Distance
Turning pole to turning pole 8–15 m
Course Setting
Symetrical

Parallel Slalom

VD: 120–120 m
Number of Gates Min: 18
Distance
Turning pole to turning pole 10–14 m
Course Setting
Symetrical

FINISH EXAMPLES



Width of Finish	
Slalom/Parallel Slalom	8.00 M
Giant Slalom/Parallel Giant Slalom	10.00 M

CODE OF CONDUCT

Membership in the United States Ski and Snowboard Association is a privilege, not a right. All USSA members (athletes, coaches, and officials) when participating in any USSA activity must agree to conduct themselves according to USSA's core values of Team, Loyalty, Integrity, Respect, Perseverance, and Accountability and abide by the spirit and dictates of this Code of Conduct. All members must agree to comport themselves in a sportsmanlike manner, and are responsible for their actions while attending or participating in all USSA activities (including but not limited to camps, competitions, and projects).

Sportsmanlike conduct is defined as, but is not limited to: respect for competition officials, resort employees, and the skiing and snowboarding public, respect for facilities, privileges and operating procedures, the use of courtesy and good manners, acting responsibly and maturely, refraining from the use of profane or abusive language, and abstinence from illegal or immoderate use of alcohol and use of illegal or banned drugs.

While participating in any USSA activity:

1. USSA members shall be subject to the jurisdiction of the International Ski Federation Statutes, the United States Olympic Committee Bylaws, the USSA Bylaws, and the USSA Code of Conduct.
2. USSA members shall conduct themselves at all times and in all places as befits worthy representatives of the United States of America, the United States Olympic Committee, USSA, their region, division, state or club and in accordance with the best traditions of national and international competition.
3. USSA members are responsible for knowledge of and adherence to competition rules and procedures. Members are also responsible for knowledge of and adherence to the rules and procedures of the USSA national teams, camps or other projects when participating in such.
4. USSA members shall maintain high standards of moral and ethical conduct, which includes self-control and responsible behavior, consideration for the physical and emotional well-being of others, and courtesy and good manners.
5. USSA members shall abide by USSA rules and procedures while traveling to and from and participating in official USSA activities.
6. USSA members shall abstain from illegal and/or immoderate consumption of alcohol. Absolutely no consumption of alcohol is permitted for those individuals under the age of 21. Members under 21 years of age shall not participate in gatherings involving consumption of alcohol unless it is an official USSA or event organizer function.
7. No USSA member shall violate the customs, travel or currency regulations of a country while traveling with a USSA group or on a USSA ticket.
8. No USSA member shall commit a criminal act.
9. No USSA member shall engage in any conduct that could be perceived as harassment based upon gender, age, race, religion or disability.
10. USSA members will avoid profane or abusive language and disruptive behavior.
11. USSA members agree to abide by anti-doping rules and procedures established by WADA, USADA, and/or FIS.

Failure to comply with any of the above provisions may lead to disciplinary action by the appropriate team or competition leader. Disciplinary action may include:

- Removal from the team trip or training camp.

- Suspension from training and/or competition.
- Elimination of coaching, travel, and other benefits.
- Forfeiture of USSA membership.

USSA is committed to principles of fairness, due process and equal opportunity. Members are entitled to be treated fairly and in compliance with USSA's Bylaws, policies and procedures. Members are entitled to notice and an opportunity for a hearing before being prevented from participating in protected competition as that term is defined by the USOC Bylaws. Information on the processes for grievances, suspensions and appeals is available at www.ussa.org.

Nothing in this Code shall be deemed to restrict the individual freedom of a USSA member in matters not involving activities in which one could not be perceived as representing USSA. In choices of appearance, lifestyle, behavior and speech while not representing USSA, competitors shall have complete freedom, provided their statements and actions do not adversely affect the name and reputation of the USSA. However, in those events where one is representing or could be perceived as representing USSA, USSA demands that its members understand and agree to behave in a manner consistent with the best traditions of sportsmanship and USSA's core values.

Last revised May 18, 2008

CONCUSSION CHECKLIST

Signs and Symptoms

Athletes who experience one or more of the signs and symptoms listed below after a bump, blow, or jolt to the head or body may have a concussion.

Signs Observed by Coaches / Officials

Appears dazed or stunned

Moves clumsily

Answers questions slowly

Loses consciousness (even briefly)

Shows behavior, or personality changes

Can't recall events prior to hit or fall

Can't recall events after hit or fall

Symptoms Reported by Athlete

Headache or "pressure" in head

Nausea or vomiting

Balance problems or dizziness

Double or blurry vision

Sensitivity to light or noise

Feeling sluggish, hazy, foggy or groggy

Concentration or memory problems

Does not "feel right"

Confusion

Action Plan

If you suspect that an athlete has a concussion

1. Remove the athlete from training and competition.
2. Provide athlete/family with USSA concussion parent information and medical evaluation forms.
3. Notify the USSA of suspected concussion - jweinman@ussa.org.
4. The athlete will be placed on USSA medical hold until the completed medical evaluation form is received with the signature of a medical professional who has been trained in concussion management within the past three years.

More Information

www.cdc.gov/ConcussionInYouthSports

Thank You

to the following partners of the
U.S. Ski Team, U.S. Snowboarding and U.S. Freeskiing.



The most highly recommended bed in America.



DONJOY

INDESTRUCTIBLE PROTECTION



Armor ForcePoint™

Reduce ACL strain by 50%
from the moment you
hit the slopes.

Call 800.336.6569 or visit www.donjoy.com

DJO Global proudly sponsors:



©2011 DJO, LLC

 **DJO**
GLOBAL